

iBoard®

iBoard® by APS

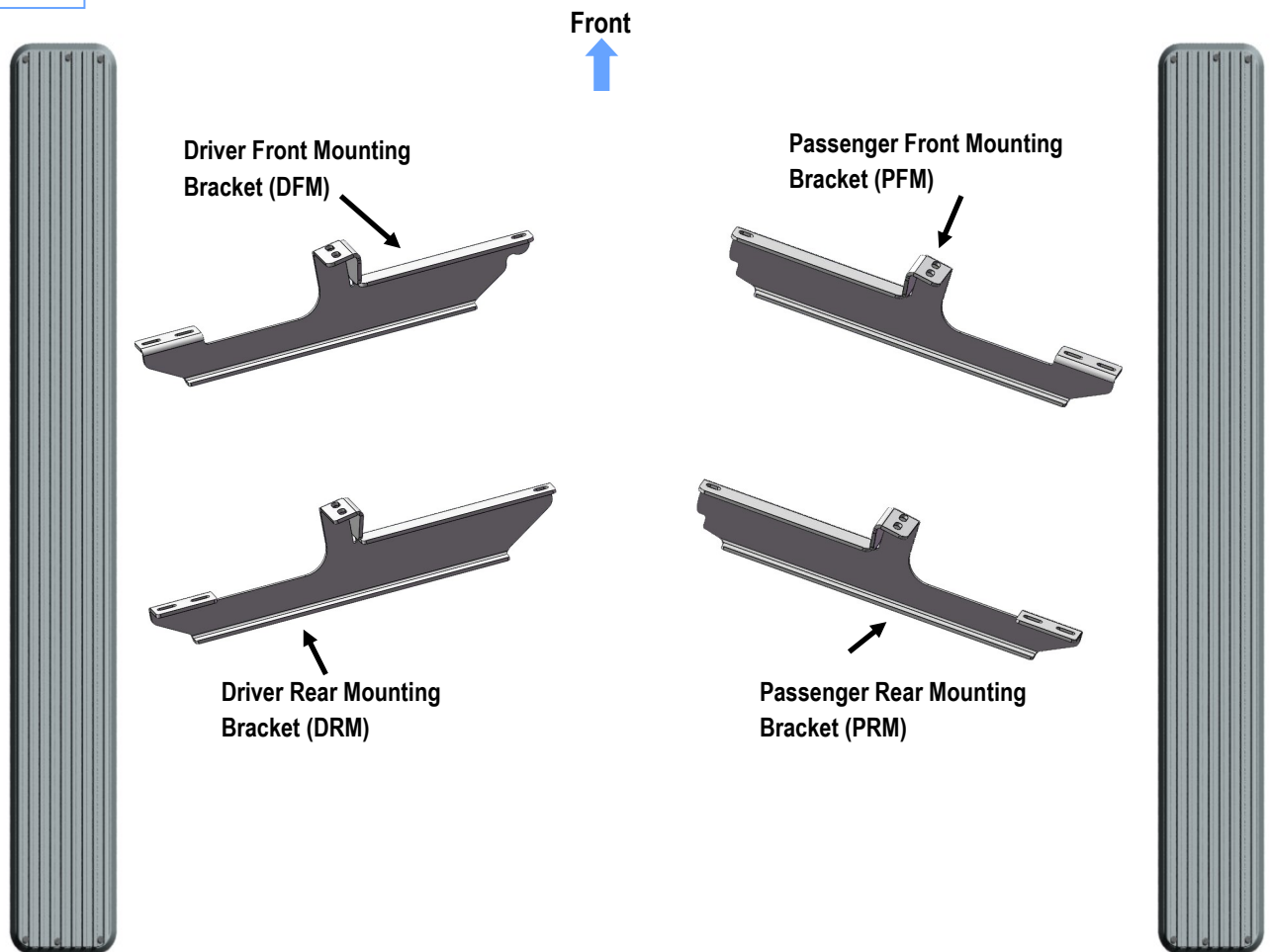
PART#: IB-121A-B

READ INSTRUCTIONS CAREFULLY BEFORE STARTING INSTALLATION. REMOVE CONTENTS FROM BOX AND VERIFY ALL PARTS ARE PRESENT. ASSISTANCE IS RECOMMENDED.

*ROCKER PANEL MOUNT
*NO DRILLING REQUIRED

Fastener Size	Tightening Torque (ft-lbs)
6mm	6-7
8mm	16-18
10mm	31-32
12mm	56-58
14mm	92-94

PART LIST



Customer Support: info@iboardauto.com

iBoard®



X12

M8X1.25-20 Hex Bolt



X12

M8 Flat Washer



X12

M8 Lock Washer



X24

M6X1-20 Square Head Bolt



X24

M6 Large Flat Washer



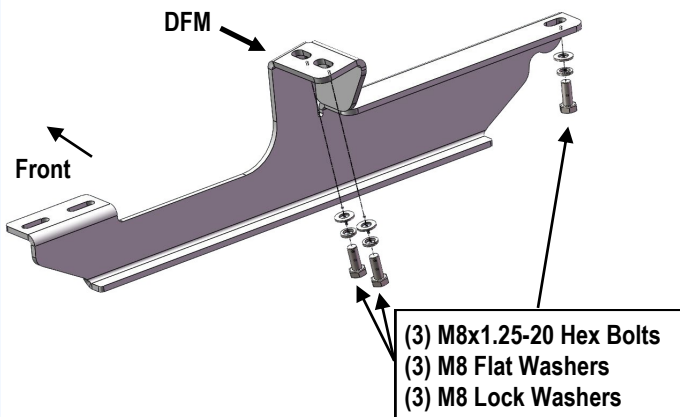
X24

M6X1 Nylon Lock Nut

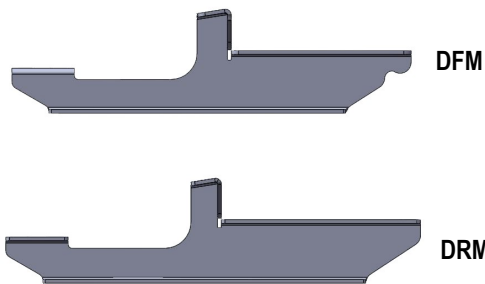
STEP 1

Start installation on the driver side of the vehicle. Select and attach the Driver Front Mounting Bracket (DFM) to the vehicle with (3) M8X1.25-20 Hex Bolts, (3) M8 Flat Washers and (3) M8 Lock Washers, (Fig 1). Do not fully tighten hardware at this time.

NOTE: Driver Front Mounting Bracket (DFM) and Driver Rear Mounting Bracket (DRM) are similar, but not universal (Fig 2).



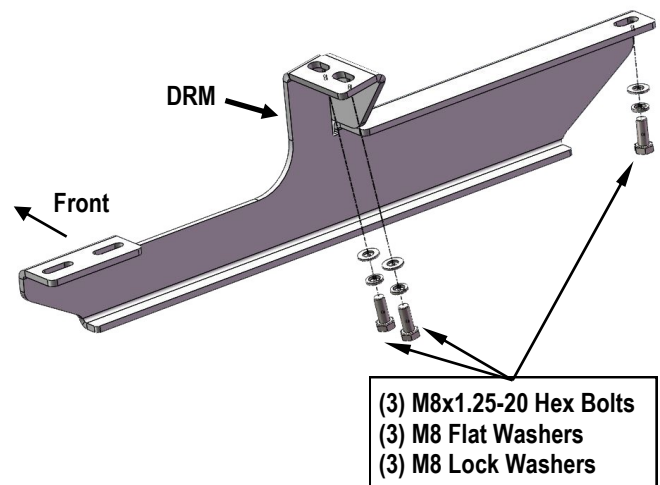
(Fig 1) Driver Front Mounting Bracket (DFM) Installation



(Fig 2) Driver Front Mounting Bracket (DFM) & Driver Rear Mounting Bracket (DRM)

STEP 2

Next, move to the driver rear mounting location. Repeat **Step 1** to install the Driver Rear Mounting Bracket (DRM), (Fig 3). Do not fully tighten hardware at this time.



(Fig 3) Driver Rear Mounting Bracket (DRM) Installation

STEP 3

Select a Running Board. Slip (2) M6x1-20 Square Head Bolts into each bottom channel (Fig 4). Carefully position the Running Board onto the (2) Mounting Brackets.

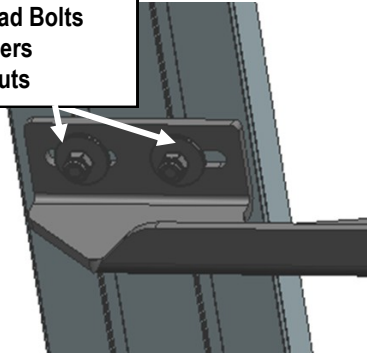
IMPORTANT: Do not slide the Running Board on the Brackets or the bottom surface of the board will be damaged. Attach the Running Board to each Mounting Brackets with (2) M6x1-20 Square Head Bolts, (2) M6 Large Flat Washers and (2) M6 X1 Nylon Lock Nuts (Fig 5). Do not fully tighten at this time.

iBoard®



(Fig 4) Slip M6X1-20 Square Head Bolts Into The Bottom Channels

- (2) M6X1-20 Square Head Bolts
- (2) M6 Large Flat Washers
- (2) M6X1 Nylon Lock Nuts



(Fig 5) Running Board Installed Onto Mounting Bracket

STEP 4

Level and adjust the Running Board and fully tighten all hardware.

STEP 5

Repeat **Steps 1-4** for the other side Running Board installation. The installation is completed (**Fig 6**).



(Fig 6) Installation Completed

Attention

Do periodic inspections to the installation to make sure that all hardware is secure and tight.

In order to protect your bars/boards, please use only mild soap/non-abrasive products for cleaning.