

# iBoard®

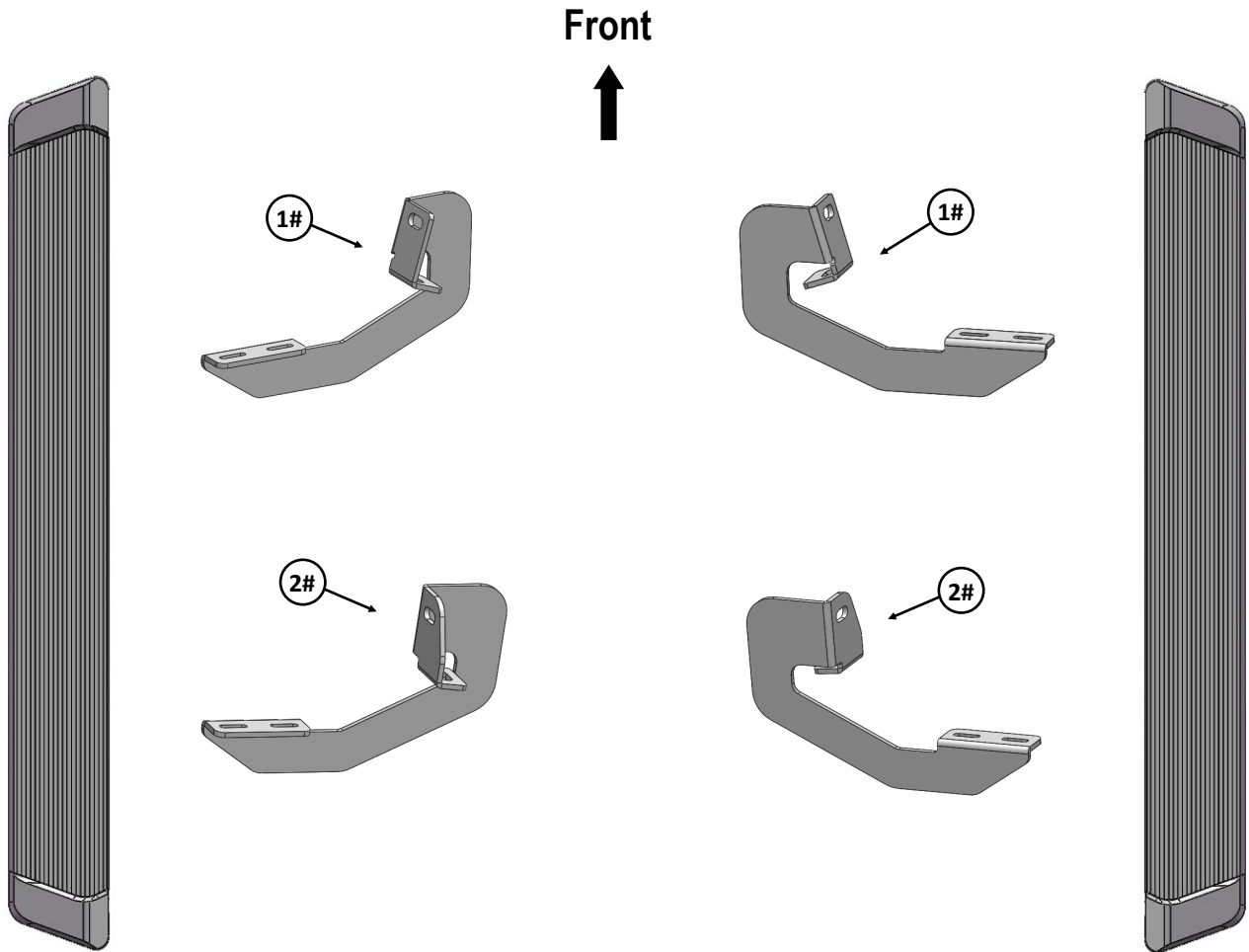
## iBoard® by APS

PART#: IB-R009

READ INSTRUCTIONS CAREFULLY BEFORE STARTING INSTALLATION. REMOVE CONTENTS FROM BOX AND VERIFY ALL PARTS ARE PRESENT. ASSISTANCE IS RECOMMENDED.

\*ROCKER PANEL MOUNT  
\*NO DRILLING REQUIRED

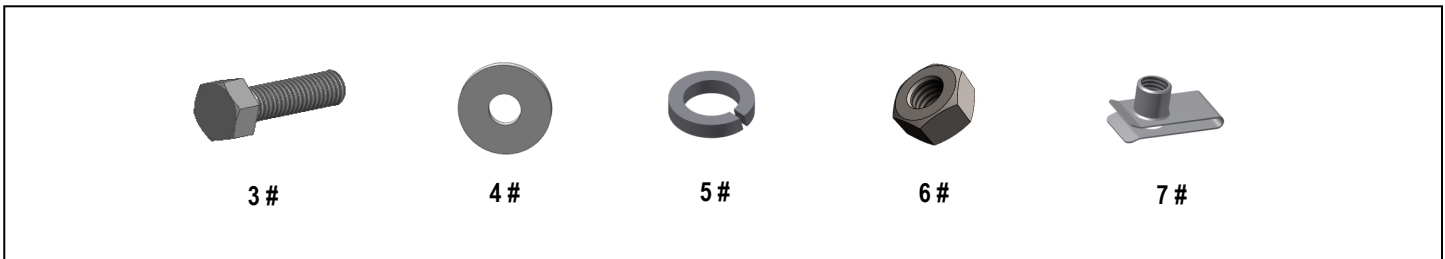
Fastener Size	Tightening Torque (ft-lbs)	Required
6mm	6-7	√
8mm	16-18	√
10mm	31-32	X
12mm	56-58	X
14mm	92-94	X



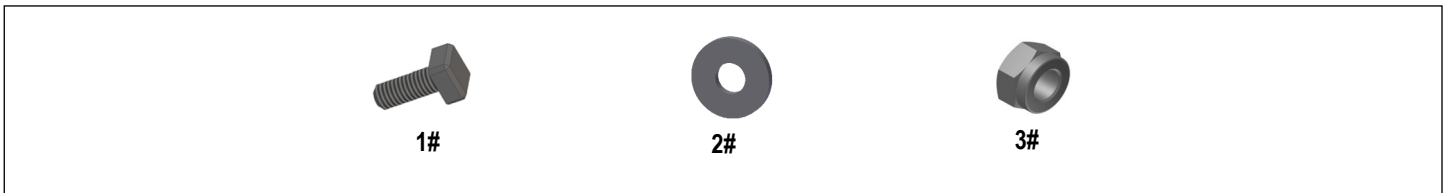
Customer Support: [info@iboardauto.com](mailto:info@iboardauto.com)

# iBoard®

Hardware Package A (For Bracket Installation)					
Item	QTY	Description	Item	QTY	Description
1#	2	Driver / Passenger Front Mounting Brackets	5#	8	M8 Lock Washers
2#	2	Driver / Passenger Rear Mounting Brackets	6#	4	M8X1.25 Hex Nuts
3#	8	M8X1.25-30 Hex Bolts	7#	4	M8 Clip Nuts
4#	12	M8 Large Flat Washers			



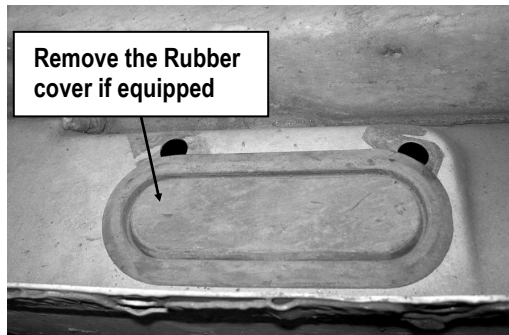
Hardware Package B (For Step Bar Installation)					
Item	QTY	Description	Item	QTY	Description
1#	8	M6X1-20mm Square Head Bolts	3#	8	M6 Nylon Lock Nuts
2#	8	M6 Large Flat Washers			



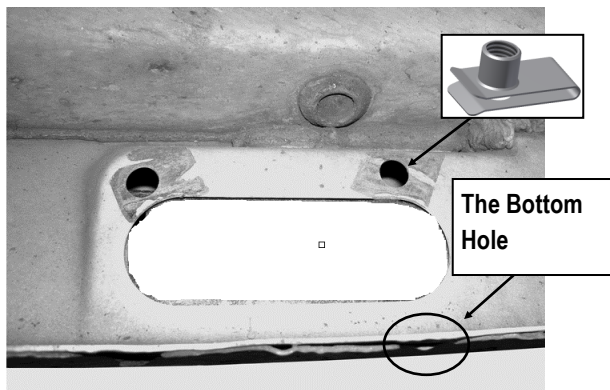
# iBoard®

## STEP 1

Start installation under the Driver Side Front Mounting Location. Remove the large oval rubber cover located on the inner side panel toward the front, (Fig 1). Insert (1) M8 Clip Nut into the round hole (Fig 2). **NOTE:** Threaded nut must go towards the inside of the side panel.



(Fig 1) Driver Side Front Mounting Location



(Fig 2) Insert M8 Clip Nut into the Round Hole

## STEP 2

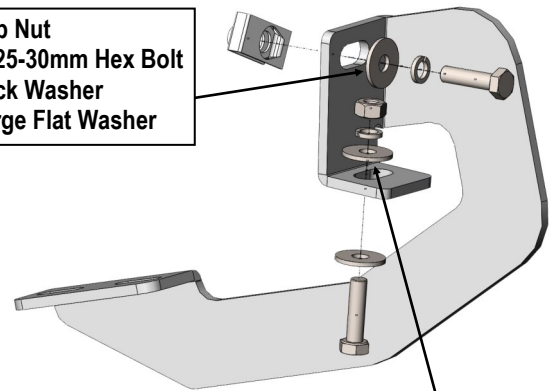
Select (1) Driver Front Mounting Bracket. Attach the Bracket to the installed M8 Clip Nut with the included (1) M8X1.25-30mm Hex Bolt, (1) M8 Lock Washer and (1) M8 Large Flat Washer, (Fig 3).

Align the bottom holes in the front Bracket with the (1) hole in the pinch weld (Fig 2). Bolt the Bracket to the pinch weld using the included (1) M8X1.25-30mm Hex Bolt, (2) M8 Large Flat Washers, (1) M8X1.25 Lock Washer and (1) M8 Hex Nut, (Fig

3).

**NOTE:** Insert the bolt up from the bottom of the pinch weld and through the Bracket.

- (1) M8 Clip Nut
- (1) M8X1.25-30mm Hex Bolt
- (1) M8 Lock Washer
- (1) M8 Large Flat Washer



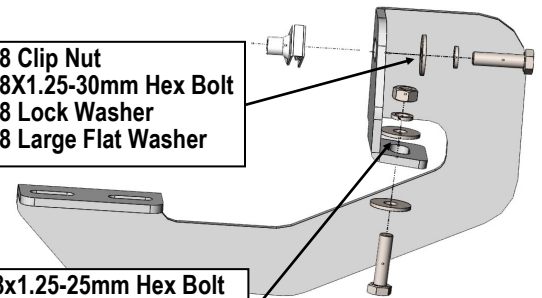
- (1) M8x1.25-25mm Hex Bolt
- (2) M8 Large Flat Washers
- (1) M8 Lock Washer
- (1) M8X1.25 Hex Nut

(Fig 3) Driver Front Mounting Bracket Installation

## STEP 3

Next, move along the vehicle to the Driver Side Rear Mounting Location, select a Driver Rear Mounting Bracket, repeat **Steps 1-2** to install the rear bracket. Do not fully tighten hardware at this time.

- (1) M8 Clip Nut
- (1) M8X1.25-30mm Hex Bolt
- (1) M8 Lock Washer
- (1) M8 Large Flat Washer



- (1) M8x1.25-25mm Hex Bolt
- (2) M8 Large Flat Washers
- (1) M8 Lock Washer
- (1) M8X1.25 Hex Nut

(Fig 4) Driver Rear Mounting Bracket Installation

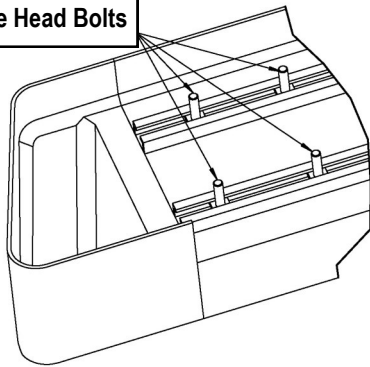
# iBoard®

## STEP 4

Select a Running Board. Slip (2) M6X1-20mm Square Head Bolts into each bottom channel (**Fig 5**). Carefully position the Running Board onto the (2) Mounting Brackets. Attach the Running Board to each Mounting Bracket with (2) M6X1-20mm Square Head Bolts, (2) M6 Large Flat Washers and (2) M6 Nylon Lock Nuts (**Fig 6**). Do not fully tighten at this time.

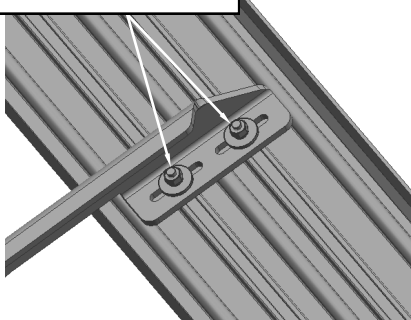
**IMPORTANT:** Do not slide the Running Board on the Brackets or the bottom surface of the board will be damaged.

M6X1-20mm Square Head Bolts



(Fig 5) Slip M6X1-20mm Square Head Bolts Into The Bottom Channels

(2) M6X1-20mm Square Head Bolts  
(2) M6 Large Flat Washers  
(2) M6 Nylon Lock Nuts



(Fig 6) Running Board Installed Onto Mounting Bracket

## STEP 5

Level and adjust the Running Board and fully tighten all hardware.

**Important:** Please follow the recommended Tightening Torques shown in the table on page 1. Don't over tighten, or the nuts/bolts will be damaged.

## STEP 6

Repeat **Steps 1-5** for the other side Running Board installation. The installation is completed .

### Attention

Do periodic inspections to the installation to make sure that all hardware is secure and tight.

In order to protect your bars/boards, please use mild soap/non-abrasive products for cleaning only.