

iBoard[®]

iBoard[®] by APS

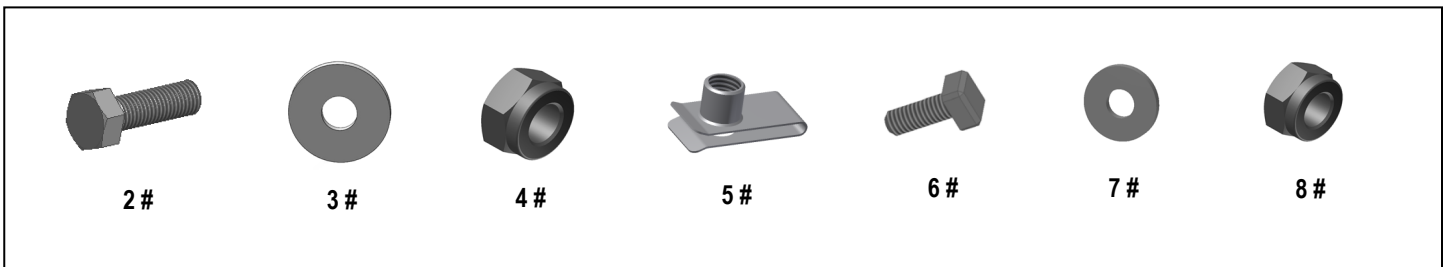
PART#: IB-R003/R011

READ INSTRUCTIONS CAREFULLY BEFORE STARTING INSTALLATION. REMOVE CONTENTS FROM BOX AND VERIFY ALL PARTS ARE PRESENT. ASSISTANCE IS RECOMMENDED.

*ROCKER PANEL MOUNT
*NO DRILLING REQUIRED

Fastener Size	Tightening Torque (ft-lbs)	Required
6mm	6-7	√
8mm	16-18	√
10mm	31-32	X
12mm	56-58	X
14mm	92-94	X

Item	QTY	Description	Item	QTY	Description
1#	6	Mounting Brackets	5#	6	M8 Clip Nuts
2#	12	M8X1.25-25mm Hex Bolts	6#	12	M6X1-20mm Square Head Bolts
3#	18	M8 Large Flat Washers	7#	12	M6 Large Flat Washers
4#	6	M8 Nylon Lock Nuts	8#	12	M6 Nylon Lock Nuts

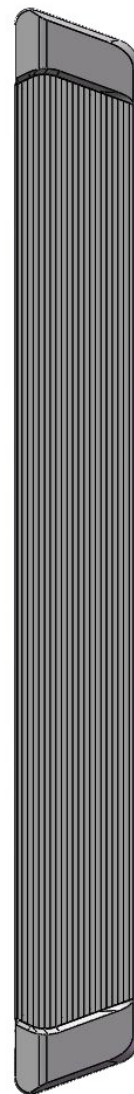
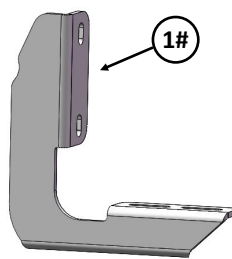
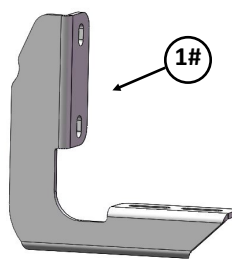
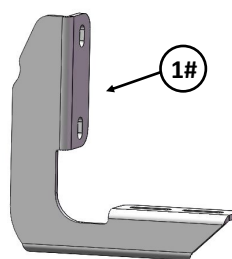
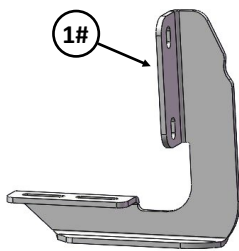
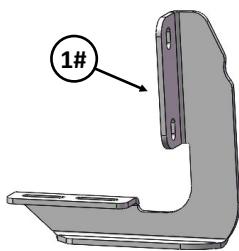
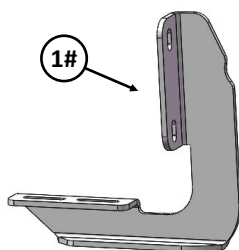


iBoard®

Driver

Front

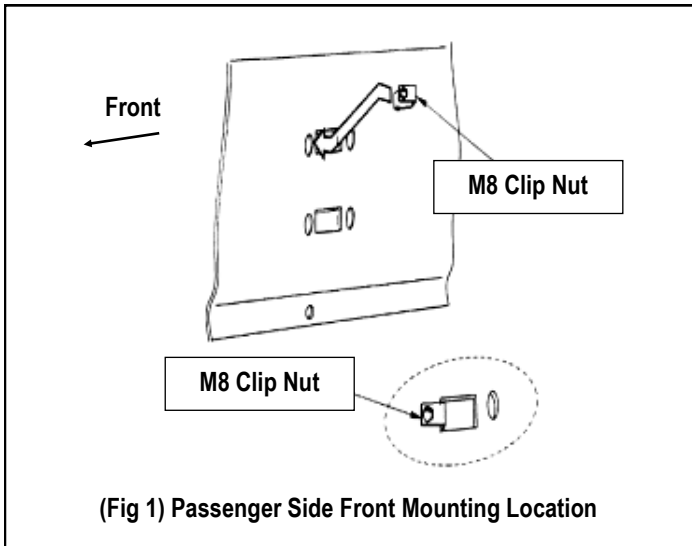
Passenger



iBoard®

STEP 1

Start installation from the passenger side front of the vehicle. Install (1) M8 Clip Nut as shown, (Fig 1).



STEP 2

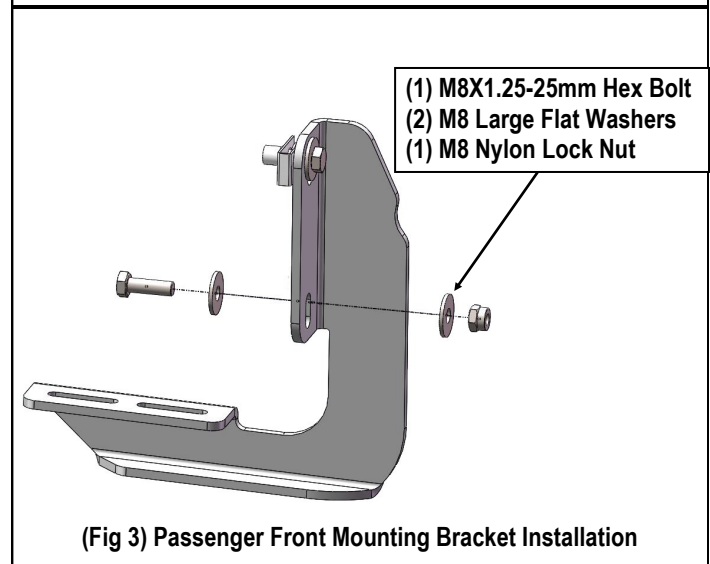
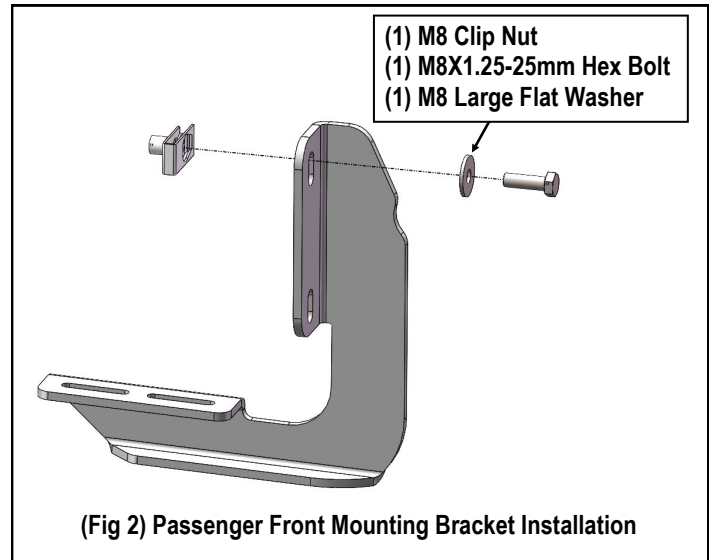
Attach (1) Mounting Bracket to the installed M8 Clip Nut with (1) M8X1.25-25mm Hex Bolt, (1) M8 Large Flat Washer, (Fig 2).

Attach the Mounting Bracket to the pinch weld with (1) M8X1.25-25mm Hex Bolt, (2) M8 Large Flat Washers and (1) M8 Nylon Lock Nut, (Fig 3). Do not fully tighten hardware at this time.

Note: (6) Mounting Brackets are universal.

STEP 3

Move to the Passenger Side Center & Rear Mounting Locations. Repeat **Steps 1-2** to attach the Mounting Brackets to the vehicle. Do not fully tighten hardware at this time.



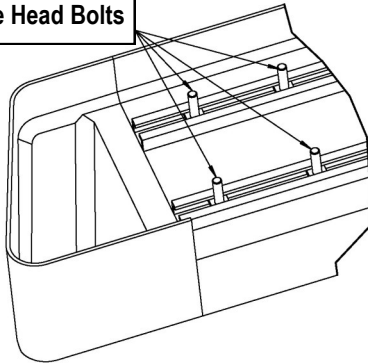
STEP 4

Select a Running Board. Slip (3) M6x1-20mm Square Head Bolts into each bottom channel (Fig 4). Carefully position the Running Board onto the (3) Mounting Brackets.

IMPORTANT: Do not slide the Running Board on the Brackets or the bottom surface of the board will be damaged. Attach the Running Board to each Mounting Bracket with (2) M6x1-20mm Square Head Bolts, (2) M6 Large Flat Washers and (2) M6 Nylon Lock Nuts (Fig 5). Do not fully tighten at this time.

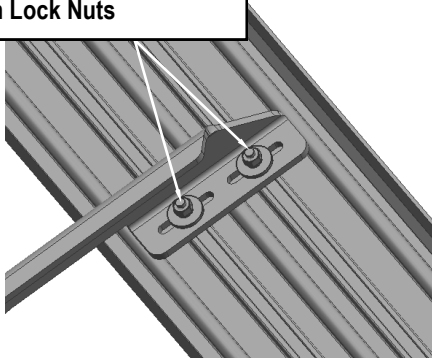
iBoard®

M6X1-20mm Square Head Bolts



(Fig 4) Slip M6X1-20mm Square Head Bolts Into The Bottom Channels

(2) M6X1-20mm Square Head Bolts
(2) M6 Large Flat Washers
(2) M6 Nylon Lock Nuts



(Fig 5) Running Board Installed Onto Mounting Bracket

STEP 5

Level and adjust the Running Board and fully tighten all hardware.

Important: Please follow the recommended Tightening Torques shown in the table on page 1. Don't over tighten, or the nuts/bolts will be damaged.

STEP 6

Repeat **Steps 1-5** for the other side Running Board installation. The installation is completed .

Attention

Do periodic inspections to the installation to make sure that all hardware is secure and tight.

In order to protect your bars/boards, please use only mild soap/non-abrasive products for cleaning.