



iBoard® by APS

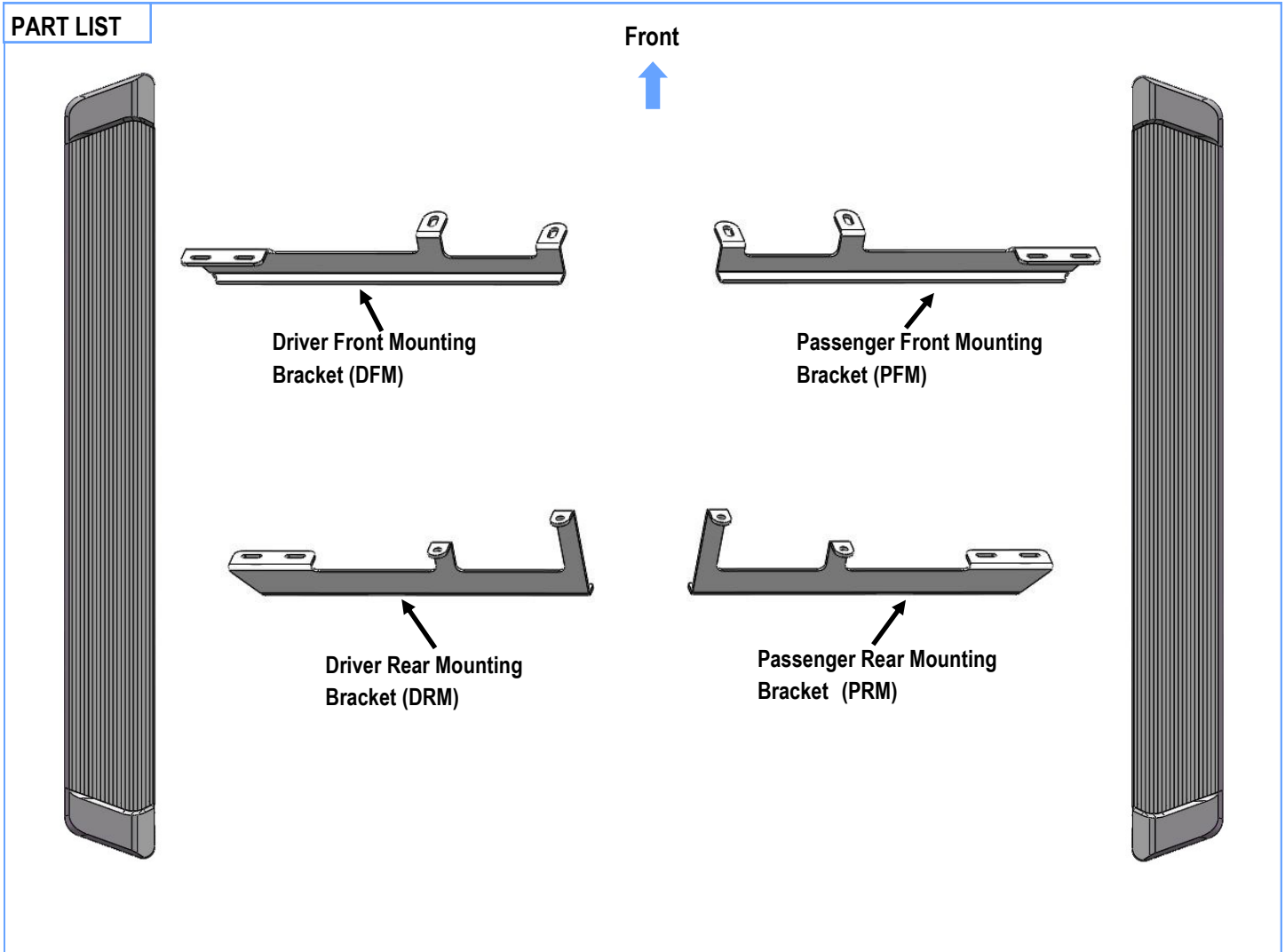
PART#: IB-R926

READ INSTRUCTIONS CAREFULLY BEFORE STARTING INSTALLATION. REMOVE CONTENTS FROM BOX AND VERIFY ALL PARTS ARE PRESENT. ASSISTANCE IS RECOMMENDED.

*ROCKER PANEL MOUNT
*NO DRILLING REQUIRED

Fastener Size	Tightening Torque (ft-lbs)	Required
6mm	6-7	√
8mm	16-18	X
10mm	31-32	√
12mm	56-58	X
14mm	92-94	X

PART LIST





Hardware Package A (For Bracket Installation)

Item	QTY	Description	Item	QTY	Description
1#	2	M10 Bolt Plates	4#	4	M10 Flat Washers
2#	4	M10 Plastic Washers	5#	4	M10 Lock Washers
3#	2	M10 J-Bolts	6#	4	M10 Hex Nuts



1#



2#



3#



4#



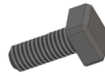
5#



6#

Hardware Package B (For Step Bar Installation)

Item	QTY	Description	Item	QTY	Description
1#	8	M6X1-20mm Square Head Bolts	3#	8	M6 Nylon Lock Nuts
2#	8	M6 Large Flat Washers			



1#



2#



3#

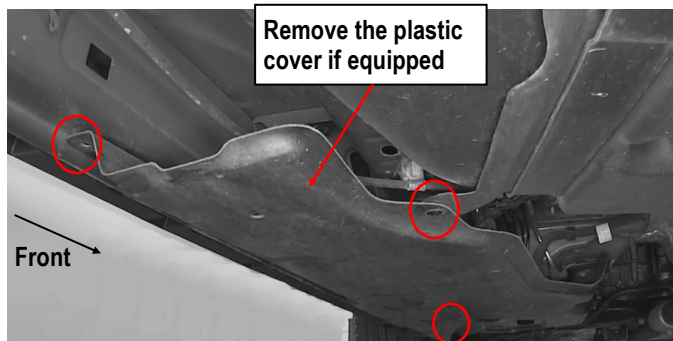


STEP 1

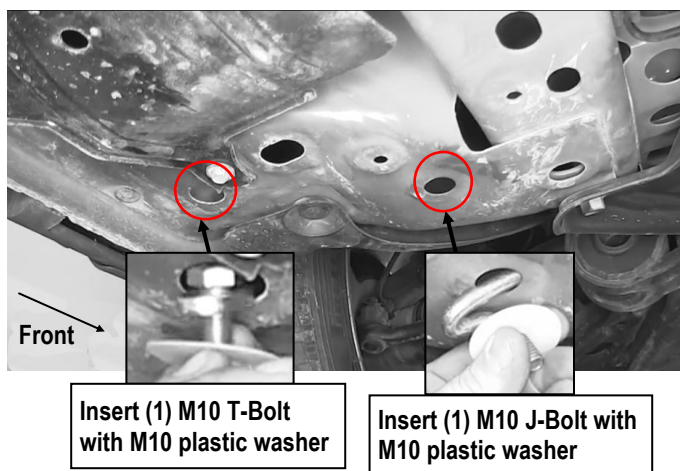
Starting installation from the Driver side front of the vehicle. Remove the Plastic cover under the body floor if equipped, (**Fig 1**).

Insert (1) M10 Bolt Plate into inner hole, and use a M10 Plastic Washer to hold in place. Insert (1) M10 T-Bolt into outer hole and use a M10 Plastic Washer to hold in place, (**Fig 2**).

NOTE: The Plastic Washer is designed to keep the Bolt Plate & J-Bolt from falling into the body panel during bracket installation.



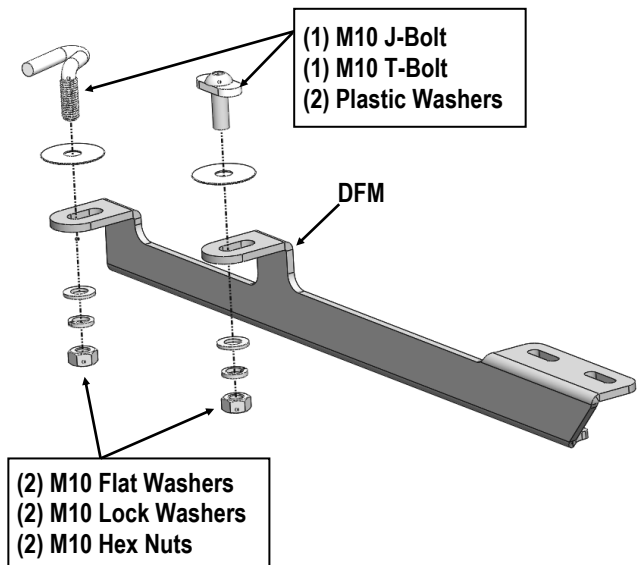
(Fig 1) Remove the plastic cover if equipped
(On Driver Side Front Mounting Location)



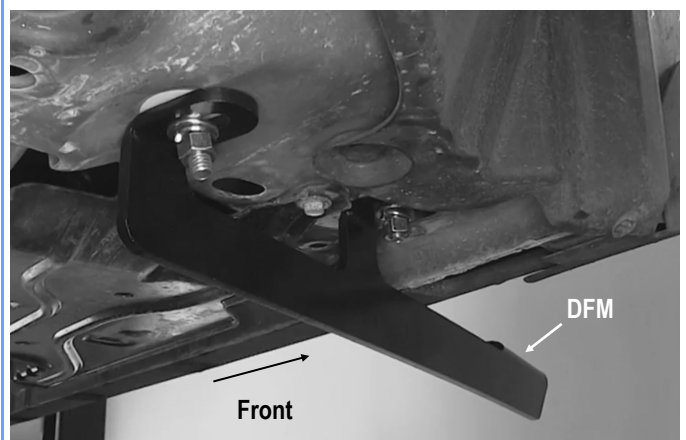
(Fig 2) Driver Side Front Mounting Location

STEP 2

Attach Driver Front Mounting Bracket (**DFM**) to the installed M10 J-Bolt and M10 T-Bolt with (2) M10 Flat Washers, (2) M10 Lock Washers and (2) M10 Hex Nuts, (**Figs 3&4**). Do not fully tighten at this time.



(Fig 3) Driver Front Mounting Bracket Installation

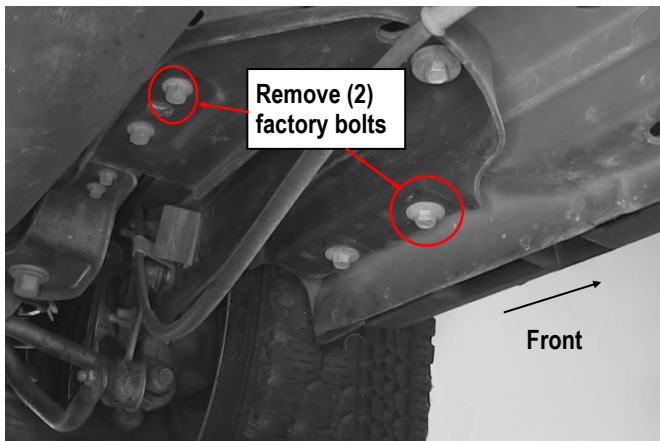


(Fig 4) Driver Front Mounting Bracket Installed

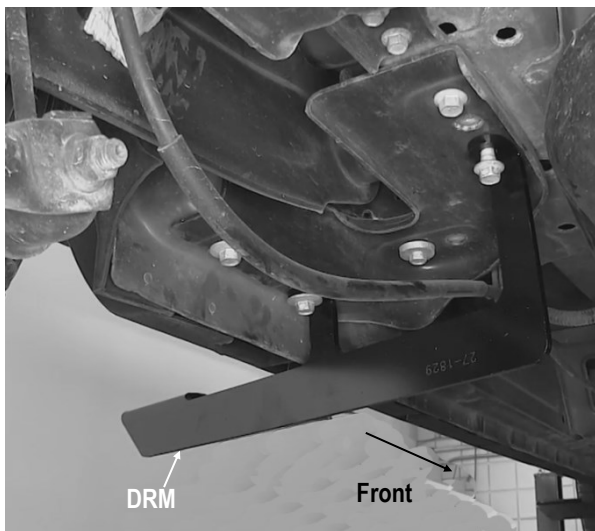


STEP 3

Move to the Driver Side Rear Mounting Location. Remove the (2) factory bolts from the rear suspension bracket, (Fig 5). Slide bracket into place and secure reusing factory bolts, (Fig 6). Don't fully tighten at this time.



(Fig 5) Driver Side Rear Mounting Location



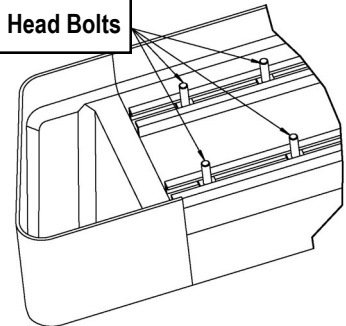
(Fig 6) Driver Rear Mounting Bracket Installed

STEP 4

Once all (2) mounting brackets are installed. Select a Running Board. Slide (2) M6X1-20mm Square Head Bolts into each bottom channel (Fig 7). Carefully position the Running Board onto the (2) Mounting Brackets. Attach the Running Board to each Mounting Bracket with (2) M6X1-20mm Square Head Bolts, (2) M6 Large Flat Washers and (2) M6 Nylon Lock Nuts (Fig 8). Do not fully tighten at this time.

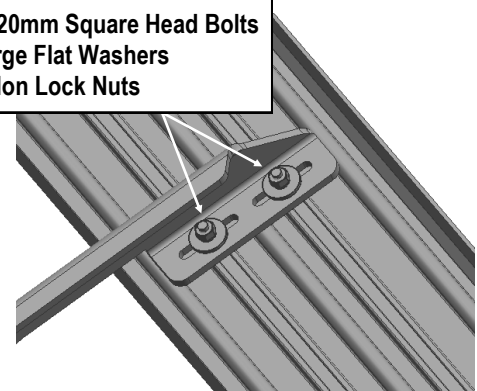
IMPORTANT: Do not slide the Running Board on the Brackets or the bottom surface of the board will be damaged.

M6X1-20mm Square Head Bolts



(Fig 7) Slip M6X1-20mm Square Head Bolts Into The Bottom Channels

(2) M6X1-20mm Square Head Bolts
(2) M6 Large Flat Washers
(2) M6 Nylon Lock Nuts



(Fig 8) Running Board Installed Onto Mounting Bracket



STEP 5

Level and adjust the Running Board and fully tighten all hardware.

STEP 6

Repeat **Steps 1-5** for the other side Running Board installation. The installation is completed.

Attention

Do periodic inspections to the installation to make sure that all hardware is secure and tight.

In order to protect your bars/boards, please use mild soap/non-abrasive products for cleaning only.