

iBoard®

iBoard® by APS

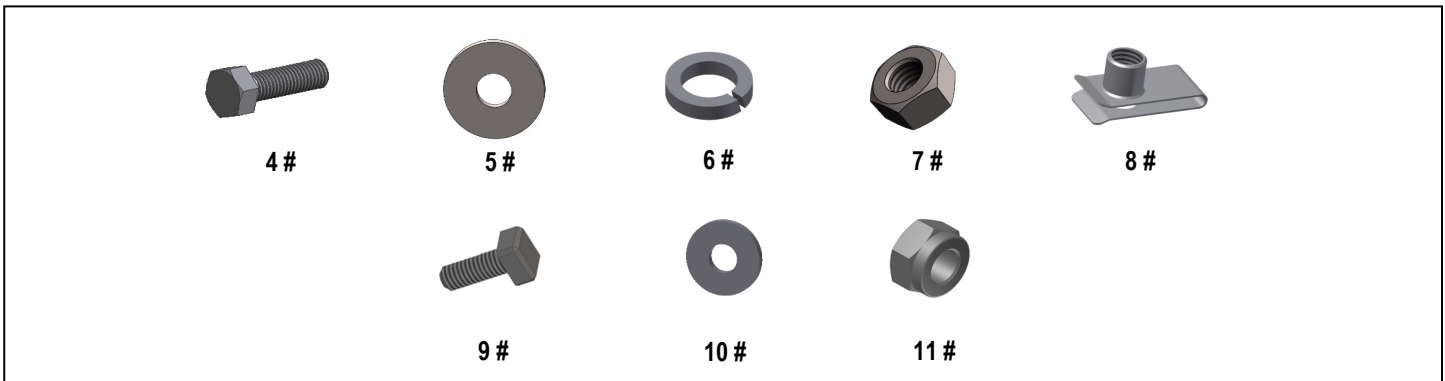
PART#: IB-R923

READ INSTRUCTIONS CAREFULLY BEFORE STARTING INSTALLATION. REMOVE CONTENTS FROM BOX AND VERIFY ALL PARTS ARE PRESENT. ASSISTANCE IS RECOMMENDED.

*ROCKER PANEL MOUNT
*NO DRILLING REQUIRED

Fastener Size	Tightening Torque (ft-lbs)	Required
6mm	6-7	√
8mm	16-18	√
10mm	31-32	X
12mm	56-58	X
14mm	92-94	X

Item	QTY	Description	Item	QTY	Description
1#	2	Driver / Passenger Front Mounting Brackets	7#	6	M8 Hex Nuts
2#	2	Driver / Passenger Center Mounting Brackets	8#	6	M8 Clip Nuts
3#	2	Driver / Passenger Rear Mounting Brackets	9#	12	M6X1-20mm Square Head Bolts
4#	12	M8X1.25-25mm Hex Bolts	10#	12	M6 Large Flat Washers
5#	18	M8 Large Flat Washers	11#	12	M6 Nylon Lock Nuts
6#	12	M8 Lock Washers			



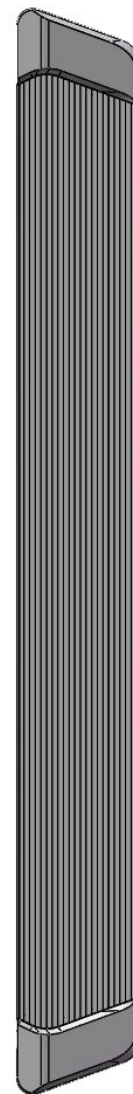
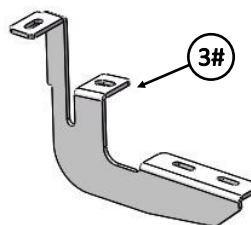
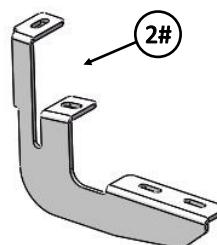
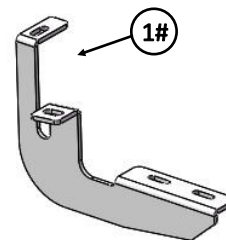
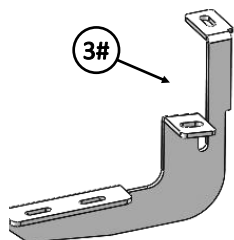
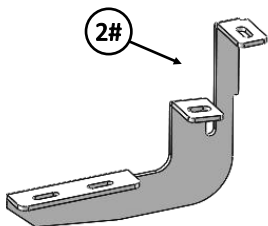
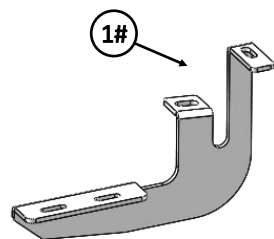
iBoard®

Driver

Front



Passenger



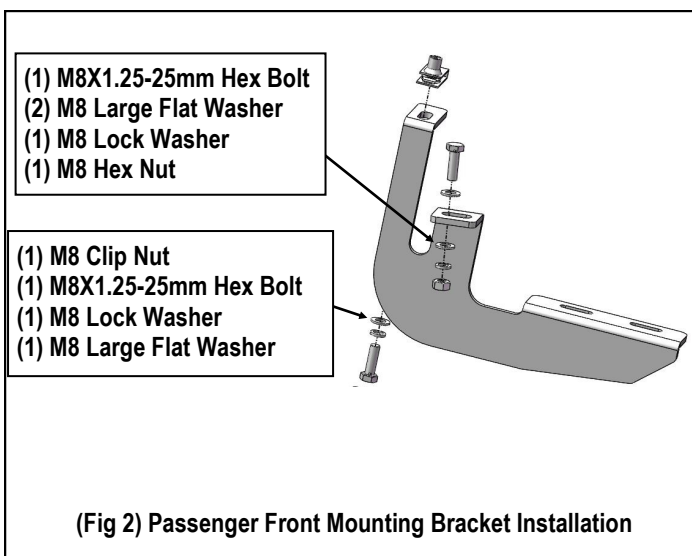
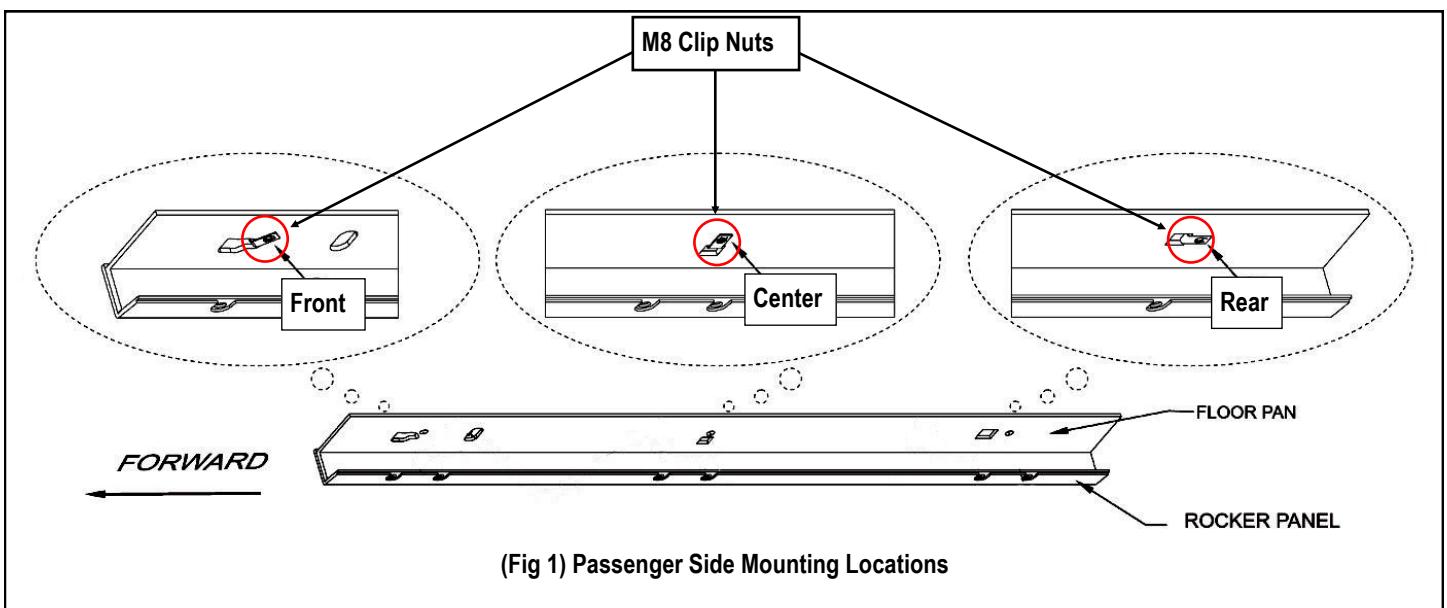
iBoard®

STEP 1

Starting on the passenger side front of the vehicle. Locate the pair of holes on the bottom of the rocker panel and the square hole next to the round hole on the bottom of the floor pan. Insert M8 Clip Nuts through square hole in floor plan so it is positioned over the round hole, (**Fig 1**).

STEP 2

Select the Passenger Front Mounting Bracket. Attach the Mounting Bracket to the installed M8 Clip Nut with (1) M8X1.25-25mm Hex Bolt, (1) M8 Lock Washer and (1) M8 Large Flat Washer; to the rocker panel with (1) M8X1.25-25mm Hex Bolt, (2) M8 Large Flat Washers (1) M8 Lock Washer and (1) M8 Hex Nut, (**Fig 2**). Do not fully tighten hardware at this time.



STEP 3

Next, move to the passenger side center & rear mounting location, (**Fig 1**). Repeat **Steps 1-2** to install the Passenger Center Mounting Bracket & Passenger Rear Mounting Bracket.

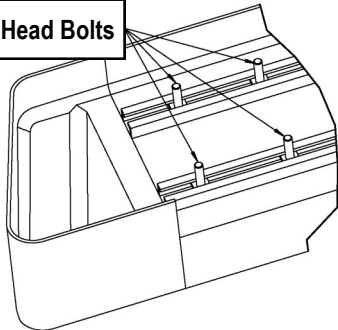
iBoard®

STEP 4

Select a Running Board. Slip (3) M6x1-20mm Square Head Bolts into each bottom channel (**Fig 3**). Carefully position the Running Board onto the (3) Mounting Brackets.

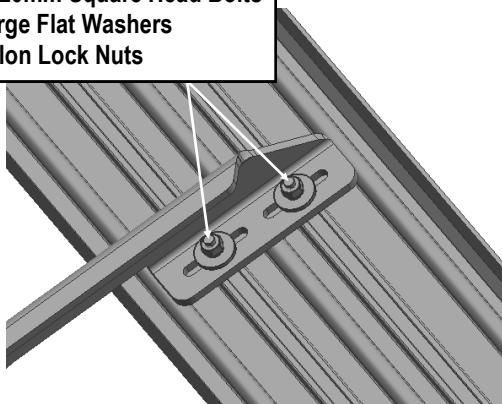
IMPORTANT: Do not slide the Running Board on the Brackets or the bottom surface of the board will be damaged. Attach the Running Board to each Mounting Bracket with (2) M6x1-20mm Square Head Bolts, (2) M6 Large Flat Washers and (2) M6 Nylon Lock Nuts (**Fig 4**). Do not fully tighten at this time.

M6X1-20mm Square Head Bolts



(Fig 3) Slip M6X1-20mm Square Head Bolts Into The Bottom Channels

(2) M6X1-20mm Square Head Bolts
(2) M6 Large Flat Washers
(2) M6 Nylon Lock Nuts



(Fig 4) Running Board Installed Onto Mounting Bracket

STEP 5

Level and adjust the Running Board and fully tighten all hardware.

Important: Please follow the recommended Tightening Torques shown in the table on page 1. Don't over tighten, or the nuts/bolts will be damaged.

STEP 6

Repeat **Steps 1-5** for the other side Running Board installation. The installation is completed.

Attention

Do periodic inspections to the installation to make sure that all hardware is secure and tight.

In order to protect your bars/boards, please use only mild soap/non-abrasive products for cleaning.