

# iBoard®

## iBoard® by APS

PART#: IB-R312

READ INSTRUCTIONS CAREFULLY BEFORE STARTING INSTALLATION. REMOVE CONTENTS FROM BOX AND VERIFY ALL PARTS ARE PRESENT. ASSISTANCE IS RECOMMENDED.

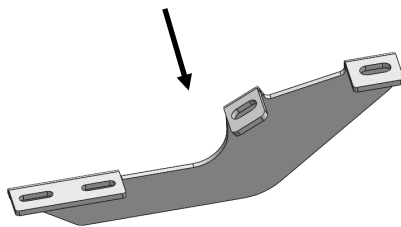
\*ROCKER PANEL MOUNT  
\*NO DRILLING REQUIRED

Fastener Size	Tightening Torque (ft-lbs)	Required
6mm	6-7	√
8mm	16-18	X
10mm	31-32	√
12mm	56-58	X
14mm	92-94	X

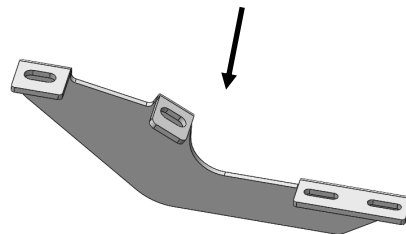
### PART LIST

Front  
↑

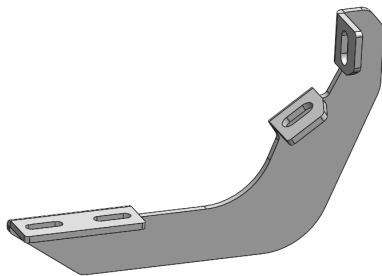
Driver Front Mounting Bracket (DFM)



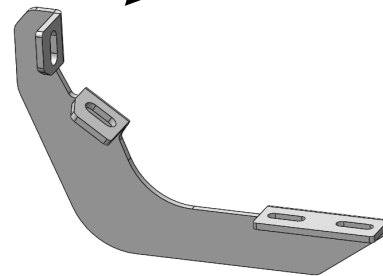
Passenger Front Mounting Bracket (PFM)



Driver Rear Mounting Bracket (DRM)



Passenger Rear Mounting Bracket (PRM)

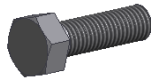


Customer Support: [info@iboardauto.com](mailto:info@iboardauto.com)

# iBoard®

## Hardware Package A (For Bucket Installation)

Item	QTY	Description	Item	QTY	Description
1#	8	M10X1.5-30 Hex Bolts	3#	8	M10 Lock Washers
2#	8	M10 Flat Washers			



1#



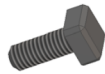
2#



3#

## Hardware Package B (For Step Bar Installation)

Item	QTY	Description	Item	QTY	Description
1#	8	M6X1-20mm Square Head Bolts	3#	8	M6 Nylon Lock Nuts
2#	8	M6 Large Flat Washers			



1#



2#

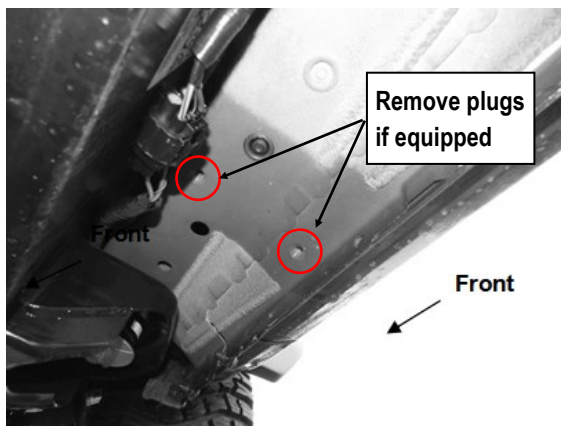


3#

# iBoard®

## STEP 1

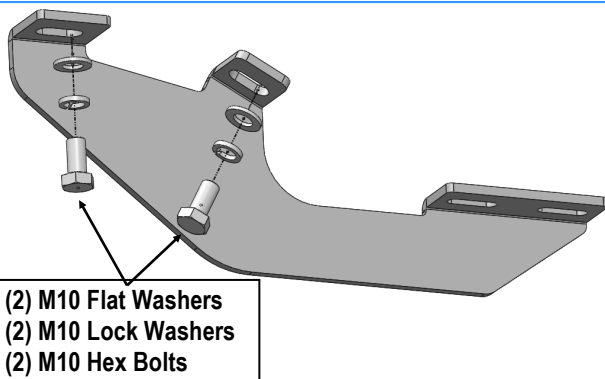
Start installation from the Passenger side front of the vehicle, locate the threaded holes in the body panel, **(Fig 1)**. Remove the plastic plugs covering the holes.



**(Fig 1)** Passenger Side Front Mounting Location

## STEP 2

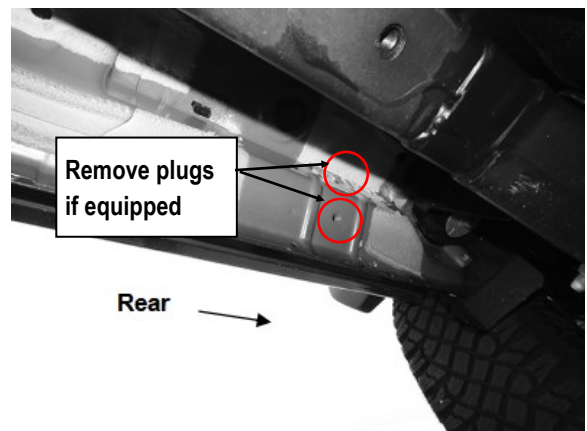
Select the Passenger Front Mounting Bracket **(PFM)** and attach it to the front mounting location with (2) M10 Hex Bolts, (2) M10 Flat Washers, (2) M10 Lock Washers, **(Fig 2)**. Do not fully tighten hardware at this time.



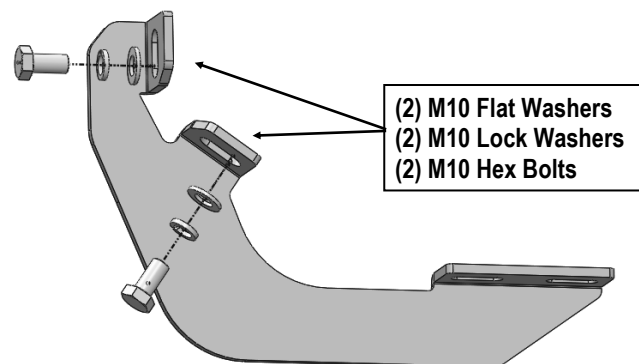
**(Fig 2)** Passenger Front Mounting Bracket Installation

## STEP 3

Move to Passenger Side Rear mounting location, **(Fig 3)**. Repeat **Steps 1 & 2** to attach Passenger Rear Mounting Bracket **(PRM)** to the rear mounting location, **(Fig 4)**. Do not fully tighten hardware at this time.



**(Fig 3)** Passenger Side Rear Mounting Location



**(Fig 4)** Passenger Side Rear Mounting Brackets Installation

# iBoard®

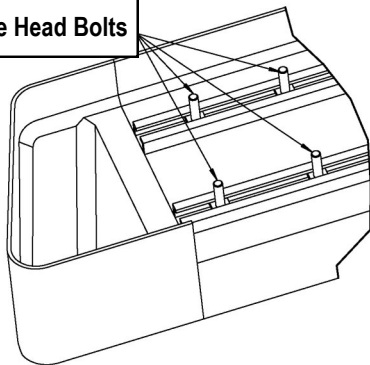
## STEP 4

Once all (2) Mounting Brackets are installed. Select a Running Board. Slip (2) M6X1-20mm Square Head Bolts into each bottom channel (**Fig 5**). Carefully position the Running Board onto the (2) Mounting Brackets.

Attach the Running Board to each Mounting Brackets with (2) M6x1-20mm Square Head Bolts, (2) M6 Large Flat Washers and (2) M6 X1 Nylon Lock Nuts (**Fig 6**). Do not fully tighten at this time.

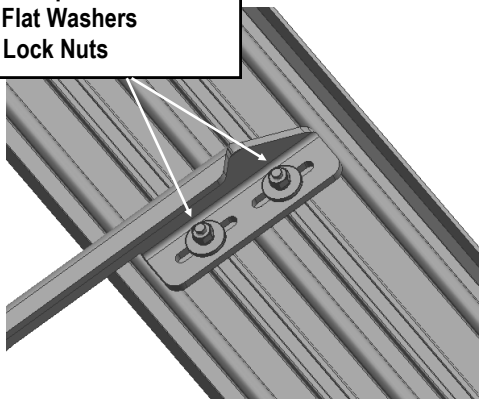
**IMPORTANT:** Do not slide the Running Board on the Brackets or the bottom surface of the board will be damaged.

M6X1-20mm Square Head Bolts



(Fig 5) Slip M6X1-20mm Square Head Bolts Into The Bottom Channels

(2) M6X1-20mm Square Head Bolts  
(2) M6 Large Flat Washers  
(2) M6 Nylon Lock Nuts



(Fig 6) Running Board Installed Onto Mounting Bracket

## STEP 5

Level and adjust the Running Board and fully tighten all hardware.

**Important:** Please follow the recommended Tightening Torques shown in the table on page 1. Don't over tighten, or the nuts/bolts will be damaged.

## STEP 6

Repeat **Steps 1-5** for the other side Running Board installation. The installation is completed .

### Attention

Do periodic inspections to the installation to make sure that all hardware is secure and tight.

In order to protect your bars/boards, please use mild soap/non-abrasive products for cleaning only.