

iBoard®

iBoard® by APS

PART#: IB-R311

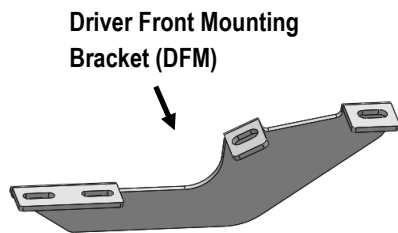
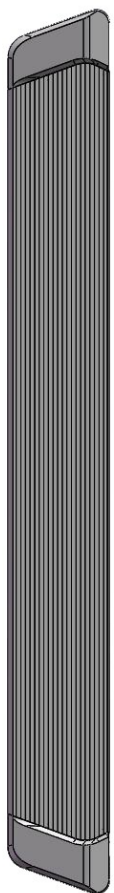
READ INSTRUCTIONS CAREFULLY BEFORE STARTING INSTALLATION. REMOVE CONTENTS FROM BOX AND VERIFY ALL PARTS ARE PRESENT. ASSISTANCE IS RECOMMENDED.

*ROCKER PANEL MOUNT
*NO DRILLING REQUIRED

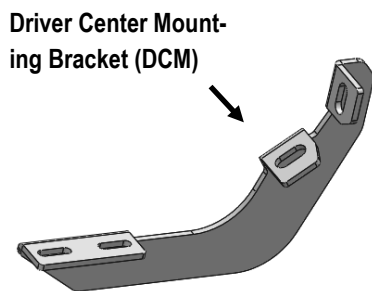
Fastener Size	Tightening Torque (ft-lbs)	Required
6mm	6-7	√
8mm	16-18	X
10mm	31-32	√
12mm	56-58	X
14mm	92-94	X

PART LIST

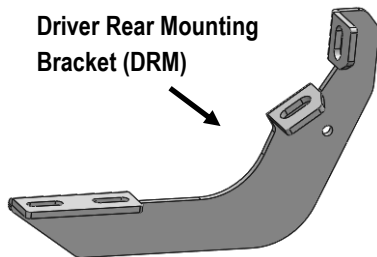
Front
↑



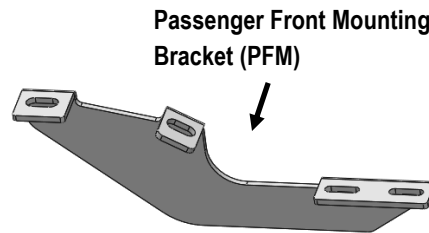
Driver Front Mounting Bracket (DFM)



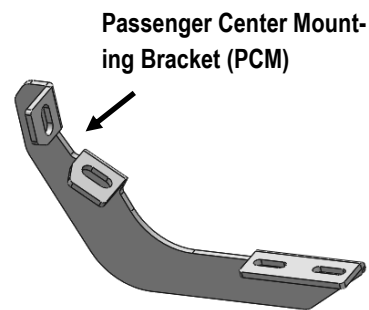
Driver Center Mounting Bracket (DCM)



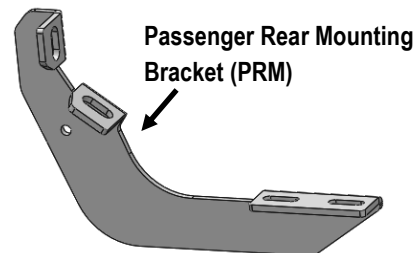
Driver Rear Mounting Bracket (DRM)



Passenger Front Mounting Bracket (PFM)



Passenger Center Mounting Bracket (PCM)



Passenger Rear Mounting Bracket (PRM)

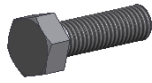


Customer Support: info@iboardauto.com

iBoard®

Hardware Package A (For Bucket Installation)

Item	QTY	Description	Item	QTY	Description
1#	12	M10X1.5-30 Hex Bolts	3#	12	M10 Lock Washers
2#	12	M10 Flat Washers			



1#



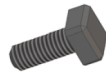
2#



3#

Hardware Package B (For Step Bar Installation)

Item	QTY	Description	Item	QTY	Description
1#	12	M6X1-20mm Square Head Bolts	3#	12	M6 Nylon Lock Nuts
2#	12	M6 Large Flat Washers			



1#



2#

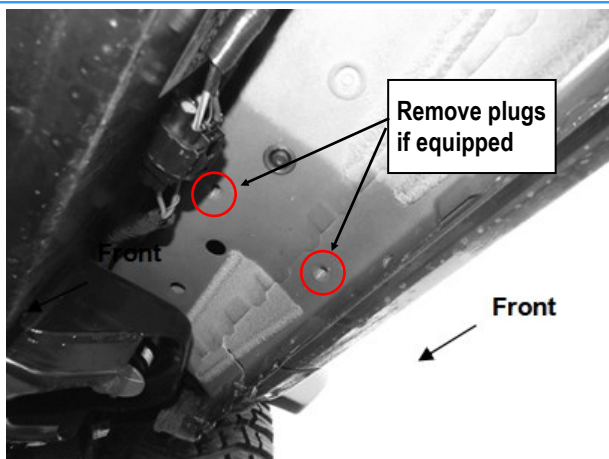


3#

iBoard®

STEP 1

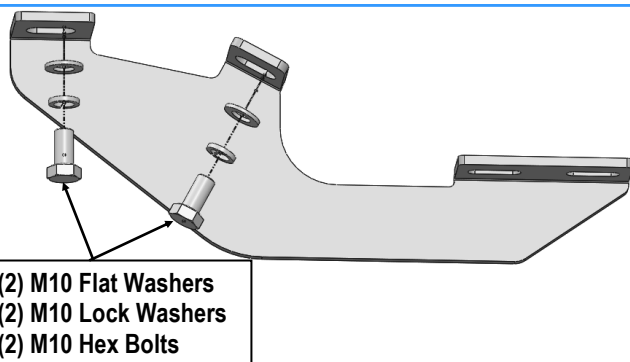
Start installation from the Passenger side front of the vehicle, locate the threaded holes on the body panel, **(Fig 1)**. Remove the plastic plugs covering the holes if equipped.



(Fig 1) Passenger Side Front Mounting Location

STEP 2

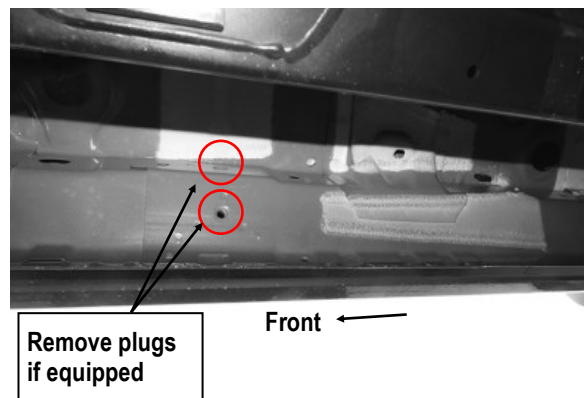
Select Passenger Front Mounting Bracket **(PFM)** and attach it to the front mounting location with (2) M10 Hex Bolts, (2) M10 Flat Washers, (2) M10 Lock Washers, **(Fig 2)**. Do not fully tighten hardware at this time.



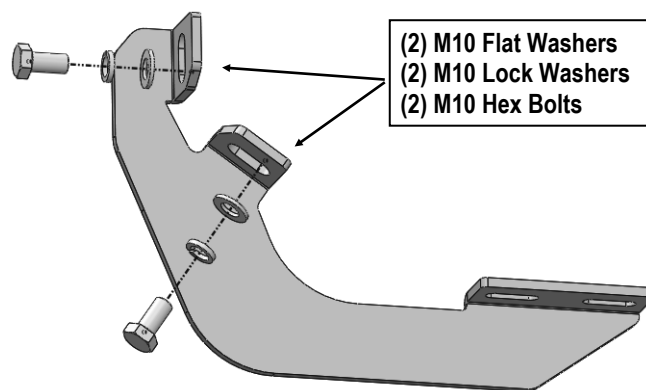
(Fig 2) Passenger Front Mounting Bracket Installation

STEP 3

Move to Passenger Side Center mounting location, **(Fig 3)**. Repeat **Steps 1 & 2** to attach Passenger Center Mounting Bracket **(PCM)** to the Center mounting location, **(Fig 4)**. Do not fully tighten hardware at this time.



(Fig 3) Passenger Side Center Mounting Location

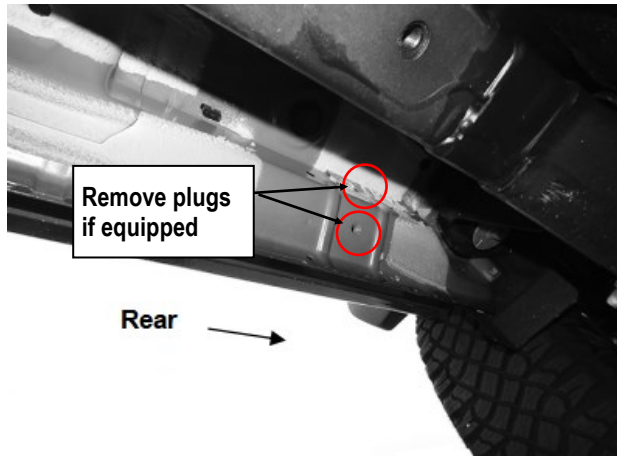


(Fig 4) Passenger Center Mounting Bracket Installation

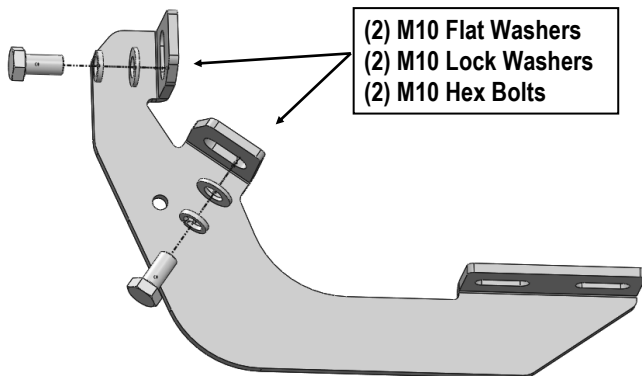
iBoard®

STEP 4

Move to Passenger Side Rear mounting location, (Fig 5). Repeat **Steps 1 & 2** to attach Passenger Rear Mounting Bracket (PRM) to the rear mounting location, (Fig 6). Do not fully tighten hardware at this time.



(Fig 5) Passenger Side Rear Mounting Location



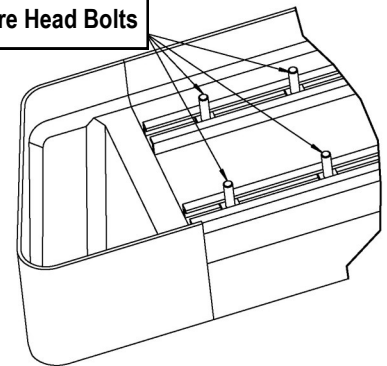
(Fig 6) Passenger Rear Mounting Bracket Installation

STEP 5

Once all (3) Mounting Brackets are installed. Select a Running Board. Slip (3) M6X1-20mm Square Head Bolts into each bottom channel (Fig 7). Carefully position the Running Board onto the (3) Mounting Brackets. Attach the Running Board to each Mounting Brackets with (2) M6x1-20mm Square Head Bolts, (2) M6 Large Flat Washers and (2) M6 X1 Nylon Lock Nuts (Fig 8). Do not fully tighten at this time.

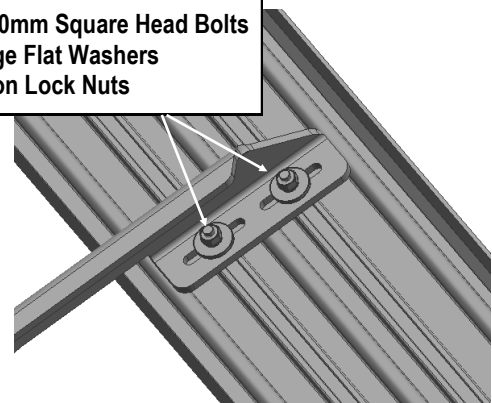
IMPORTANT: Do not slide the Running Board on the Brackets or the bottom surface of the board will be damaged.

M6X1-20mm Square Head Bolts



(Fig 7) Slip M6X1-20mm Square Head Bolts Into The Bottom Channels

(2) M6X1-20mm Square Head Bolts
(2) M6 Large Flat Washers
(2) M6 Nylon Lock Nuts



(Fig 8) Running Board Installed Onto Mounting Bracket

iBoard®

STEP 6

Level and adjust the Running Board and fully tighten all hardware.

Important: Please follow the recommended Tightening Torques shown in the table on page 1. Don't over tighten, or the nuts/bolts will be damaged.

STEP 7

Repeat **Steps 1-6** for the other side Running Board installation. The installation is completed .

Attention

Do periodic inspections to the installation to make sure that all hardware is secure and tight.
In order to protect your bars/boards, please use mild soap/non-abrasive products for cleaning only.