

# iBoard®



Scan for  
Installation Video

## iBoard® by APS

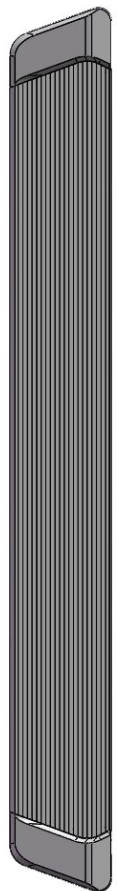
PART#: IB-R239/R313

READ INSTRUCTIONS CAREFULLY BEFORE STARTING INSTALLATION. REMOVE CONTENTS FROM BOX AND VERIFY ALL PARTS ARE PRESENT. ASSISTANCE IS RECOMMENDED.

\*ROCKER PANEL MOUNT  
\*NO DRILLING REQUIRED

Fastener Size	Tightening Torque (ft-lbs)	Required
6mm	6-7	√
8mm	16-18	X
10mm	31-32	√
12mm	56-58	X
14mm	92-94	X

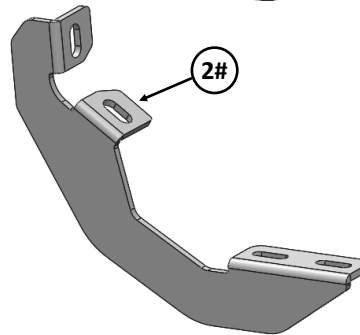
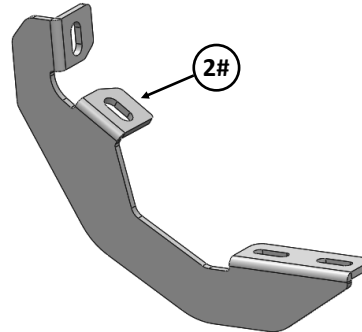
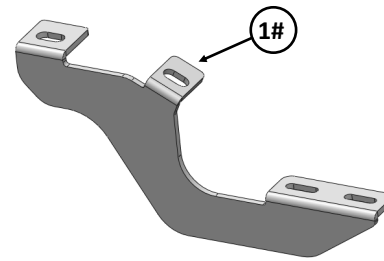
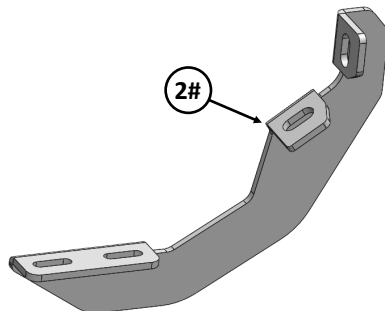
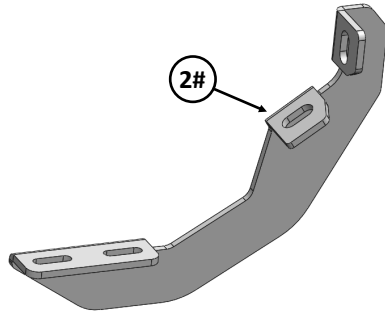
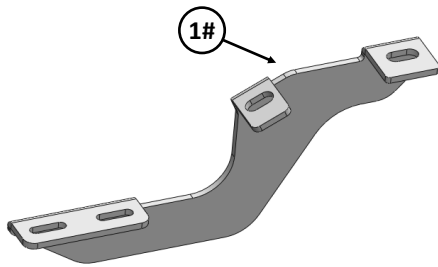
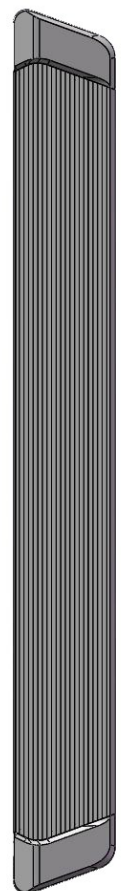
Driver



Front



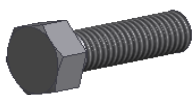
Passenger





### Hardware Package A (For Bracket Installation)

Item	QTY	Description	Item	QTY	Description
1#	2	Driver / Passenger Front Mounting Brackets	4#	12	M10 Large Flat Washers
2#	4	Driver / Passenger Center / Rear Mounting Brackets	5#	12	M10 Lock Washers
3#	12	M10X1.5-25mm Hex Bolts			



3 #



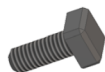
4 #



5 #

### Hardware Package B (For Step Bar Installation)

Item	QTY	Description	Item	QTY	Description
1#	12	M6X1-20mm Square Head Bolts	3#	12	M6 Nylon Lock Nuts
2#	12	M6 Large Flat Washers			



1#



2#

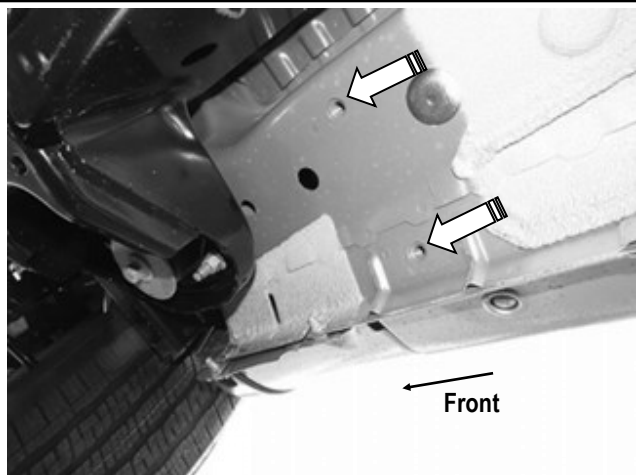


3#



## STEP 1

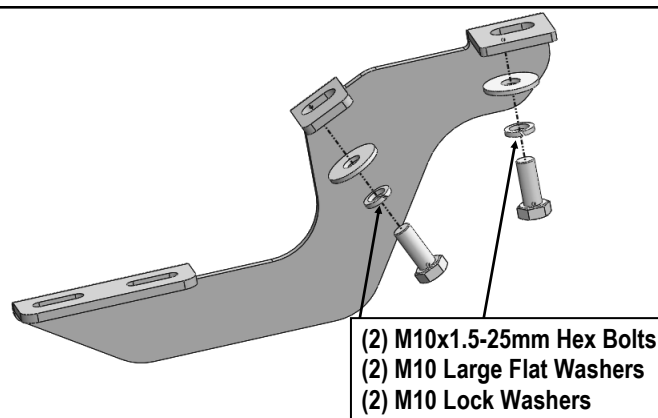
Start installation from the Passenger side front of the vehicle, locate the threaded mounting holes on the rocker panel, (**Fig 1**). Remove the plastic plugs covering the mounting holes.



(Fig 1) Passenger Side Front Mounting Location

## STEP 2

Select (1) Passenger Front Mounting Bracket, attach to Passenger side front mounting location with (2) M10X1.5-25mm Hex Bolts, (2) M10 Large Flat Washers and (2) M10 Lock Washers (**Fig 2**). Do not fully tighten hardware at this time.

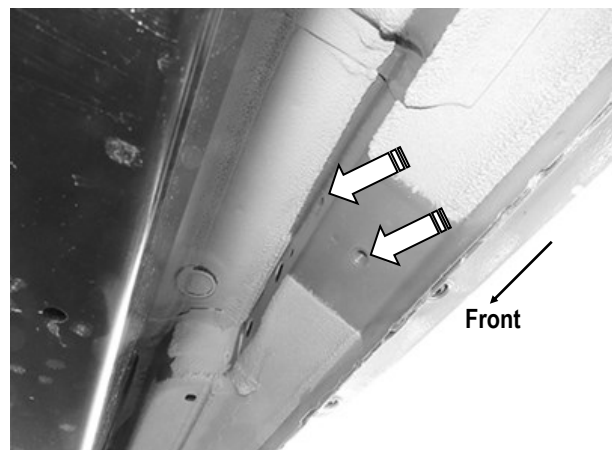


(Fig 2) Passenger Front Mounting Bracket Installation

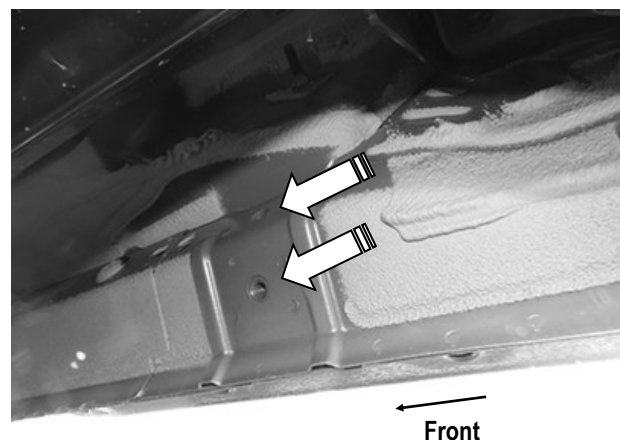
## STEP 3

Move to center & rear mounting locations, (**Fig 3-4**). Repeat **Steps 1-2** to install the Passenger Center & Rear Mounting Brackets.

**Note: Passenger Center & Rear Mounting Brackets are universal .**



(Fig 3) Passenger Side Center Mounting Location



(Fig 4) Passenger Side Rear Mounting Location

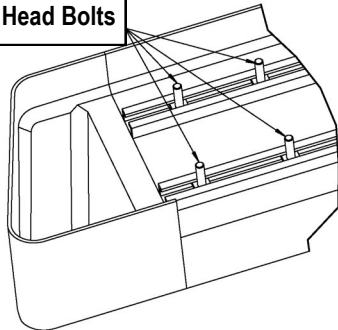


## STEP 4

Once all (3) brackets have been installed. Select a Running Board. Slip (3) M6X1-20mm Square Head Bolts into each bottom channel (**Fig 5**). Carefully position the Running Board onto the (3) Mounting Brackets. Attach the Running Board to each Mounting Bracket with (2) M6X1-20mm Square Head Bolts, (2) M6 Large Flat Washers and (2) M6 Nylon Lock Nuts (**Fig 6**). Do not fully tighten at this time.

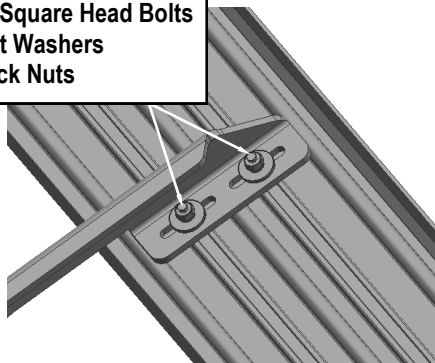
**IMPORTANT:** Do not slide the Running Board on the Brackets or the bottom surface of the board will be damaged.

M6X1-20mm Square Head Bolts



(Fig 5) Slip M6X1-20mm Square Head Bolts Into The Bottom Channels

(2) M6X1-20mm Square Head Bolts  
(2) M6 Large Flat Washers  
(2) M6 Nylon Lock Nuts



(Fig 6) Running Board Installed Onto Mounting Bracket

## STEP 5

Level and adjust the Running Board and fully tighten all hardware.

**Important:** Please follow the recommended Tightening Torques shown in the table on page 1. Don't over tighten, or the nuts/bolts will be damaged.

## STEP 6

Repeat **Steps 1-5** for the other side Running Board installation. The installation is completed.

### Attention

Do periodic inspections to the installation to make sure that all hardware is secure and tight.

In order to protect your bars/boards, please use mild soap/non-abrasive products for cleaning only.