

iBoard®

iBoard® by APS

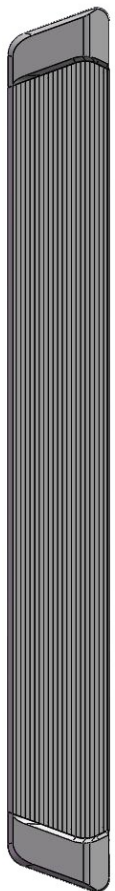
PART#: IB-R212

READ INSTRUCTIONS CAREFULLY BEFORE STARTING INSTALLATION. REMOVE CONTENTS FROM BOX AND VERIFY ALL PARTS ARE PRESENT. ASSISTANCE IS RECOMMENDED.

*ROCKER PANEL MOUNT
*NO DRILLING REQUIRED

Fastener Size	Tightening Torque (ft-lbs)	Required
6mm	6-7	√
8mm	16-18	√
10mm	31-32	X
12mm	56-58	X
14mm	92-94	X

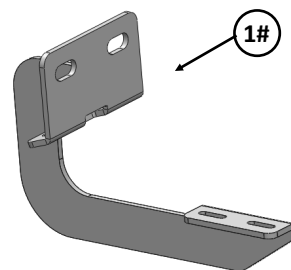
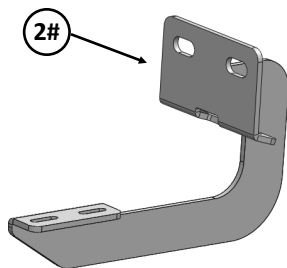
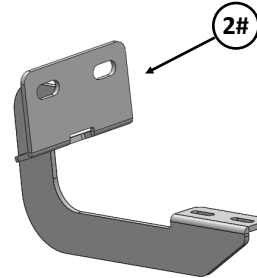
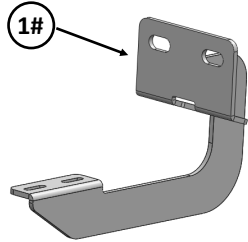
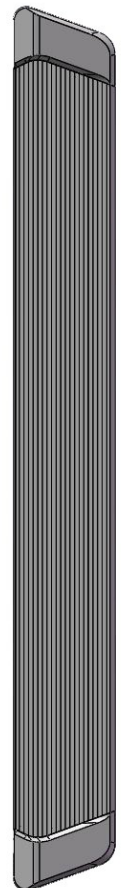
Driver



Front

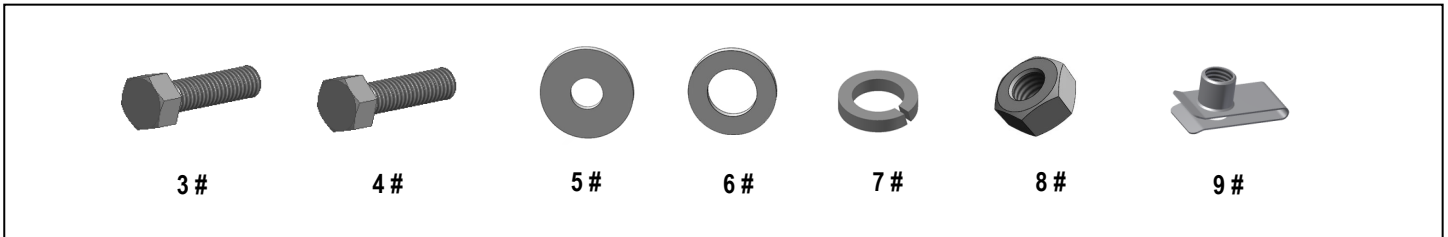


Passenger

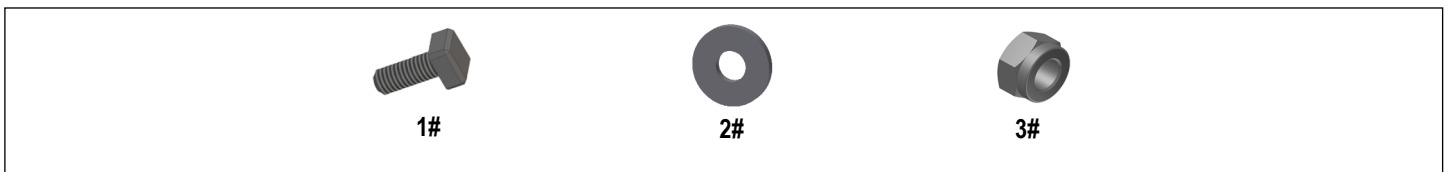


iBoard®

Hardware Package A (For Bracket Installation)					
Item	QTY	Description	Item	QTY	Description
1#	2	Drive Front / Passenger Rear Mounting Brackets	6#	16	M8 Flat Washers
2#	2	Passenger Front / Drive Rear Mounting Brackets	7#	16	M8 Lock Washers
3#	8	M8X1.25-30mm Hex Bolts	8#	8	M8X1.25 Hex Nuts
4#	8	M8X1.25-25mm Hex Bolts	9#	8	M8 Clip Nuts
5#	8	M8 Large Flat Washers			



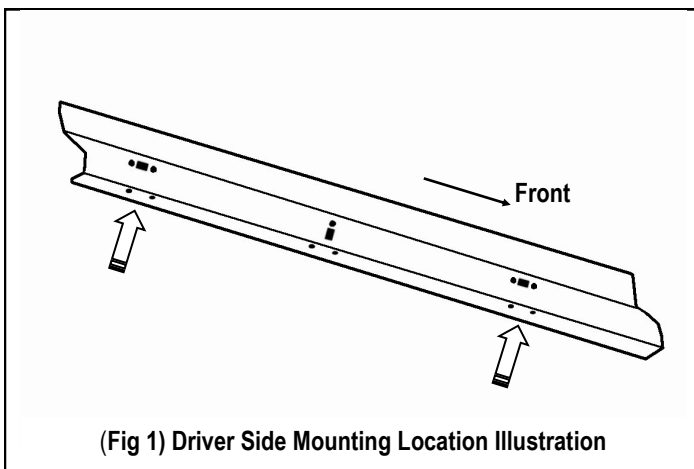
Hardware Package B (For Step Bar Installation)					
Item	QTY	Description	Item	QTY	Description
1#	8	M6X1-20mm Square Head Bolts	3#	8	M6 Nylon Lock Nuts
2#	8	M6 Large Flat Washers			



iBoard®

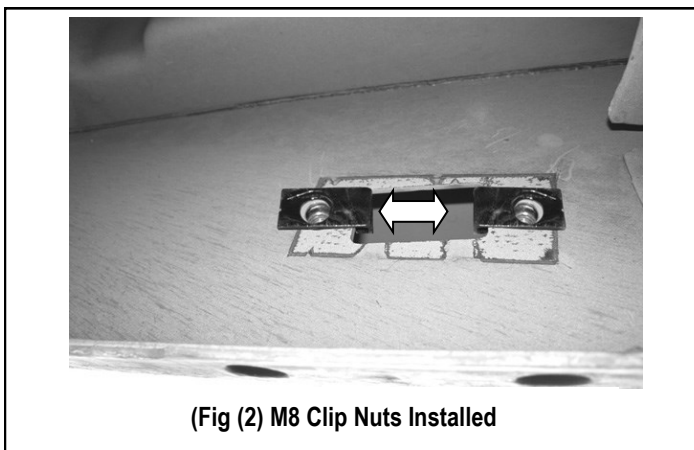
STEP 1

Starting on the driver side of the vehicle, locate the (2) holes on the pinch weld, (**Fig 1**). And then locate the rectangular opening and (2) small holes on the inner body panel directly above the holes on the pinch weld, (**Figs 1 & 2**). **NOTE:** The holes on the inner panel may be covered with sealing tape or insulation, remove sealing tape if equipped.



STEP 2

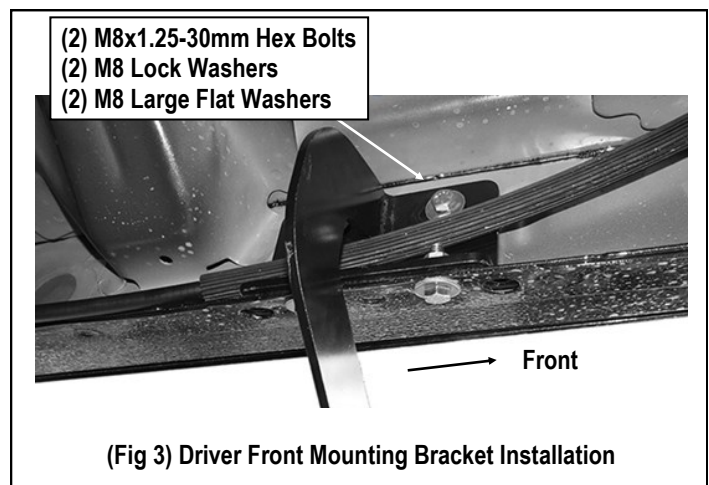
Slide (1) M8 Clip Nut into the rectangular opening with the nut towards the inside. Line up the threaded nut on the clip with the round hole, (**Fig 2**). Repeat to install the 2nd M8 Clip Nut in remaining hole .



STEP 3

Starting installation from the driver side front of the vehicle. Select (1) Driver Front Mounting Bracket, attach the Mounting Bracket to the installed (2) M8 Clip Nuts with the included (2) M8x1.25-30mm Hex Bolts, (2) M8 Lock Washers and (2) M8 Large Flat Washers, (**Figs 3 & 4**).

Note: Depending on model/year, the brake cable may be run on the inside or outside of the Bracket. Do not fully tighten hardware at this time.



STEP 4

Align the bottom holes on the Driver Front Mounting Bracket with the (2) holes on the pinch weld. Bolt the Bracket to the pinch weld using the included (2) M8x1.25-25mm Hex Bolts, (4) M8 Flat Washers, (2) M8 Lock Washers and (2) M8 Hex Nuts, (**Fig 4**).

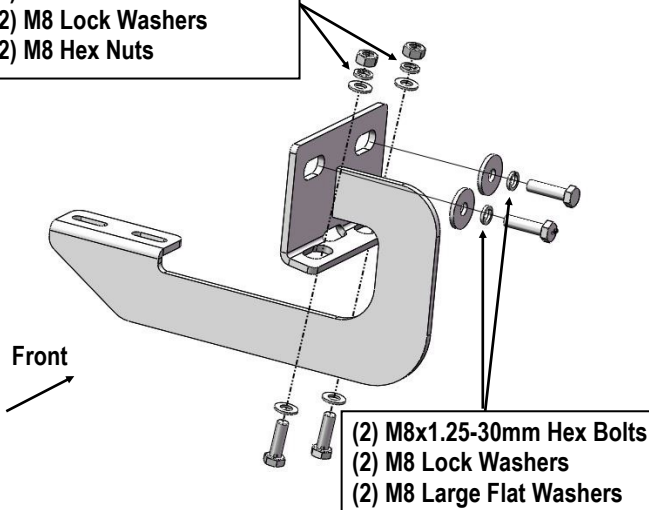
NOTE: Insert the bolts up from the bottom of the pinch weld and through the Bracket. Do not fully tighten hardware at this time.

STEP 5

Continue moving to the Driver Side Rear Mounting Location. Locate the last (2) mounting holes on the pinch weld, (**Fig 1**). Repeat **Steps 2-4** for Driver Rear Mounting Bracket installation. Do not fully tighten hardware at this time.

iBoard®

- (2) M8x1.25-25mm Hex Bolts
- (4) M8 Flat Washers
- (2) M8 Lock Washers
- (2) M8 Hex Nuts



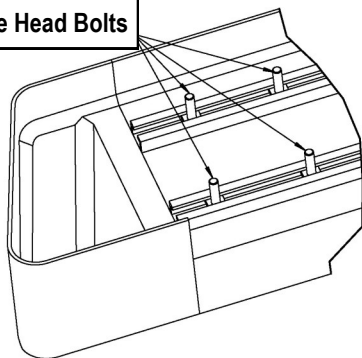
(Fig 4) Driver Front Mounting Bracket Installation

STEP 6

Once all (2) Mounting Brackets are installed. Select a Running Board. Slip (2) M6x1-20mm Square Head Bolts into each bottom channel (Fig 5). Carefully position the Running Board onto the (2) Mounting Brackets. Attach the Running Board to each Mounting Bracket with (2) M6x1-20mm Square Head Bolts, (2) M6 Large Flat Washers and (2) M6 Nylon Lock Nuts (Fig 6). Do not fully tighten at this time.

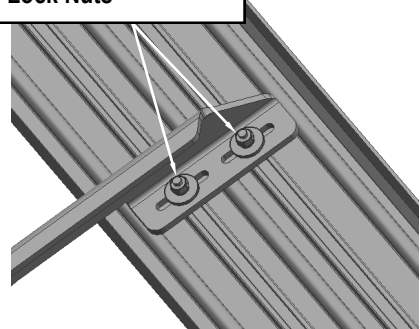
IMPORTANT: Do not slide the Running Board on the Brackets or the bottom surface of the board will be damaged.

M6X1-20mm Square Head Bolts



(Fig 5) Slip M6X1-20mm Square Head Bolts Into The Bottom Channels

- (2) M6X1-20mm Square Head Bolts
- (2) M6 Large Flat Washers
- (2) M6 Nylon Lock Nuts



(Fig 6) Running Board Installed Onto Mounting Bracket

STEP 7

Level and adjust the Running Board and fully tighten all hardware.

Important: Please follow the recommended Tightening Torques shown in the table on page 1. Don't over tighten, or the nuts/bolts will be damaged.

STEP 8

Repeat **Steps 1-7** for the other side Running Board installation. The installation is completed .

Attention

Do periodic inspections to the installation to make sure that all hardware is secure and tight.

In order to protect your bars/boards, please use only mild soap/non-abrasive products for cleaning.