

iBoard®



Scan for
Installation Video

iBoard® by APS

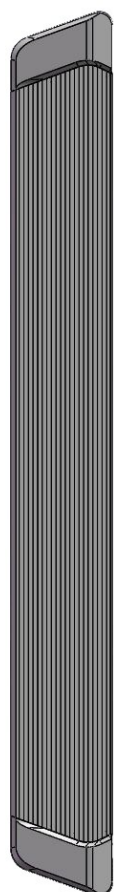
PART#: IB-R177

READ INSTRUCTIONS CAREFULLY BEFORE STARTING INSTALLATION. REMOVE CONTENTS FROM BOX AND VERIFY ALL PARTS ARE PRESENT. ASSISTANCE IS RECOMMENDED.

*ROCKER PANEL MOUNT
*DRILLING IS REQUIRED

Fastener Size	Tightening Torque (ft-lbs)	Required
6mm	6-7	√
8mm	16-18	√
10mm	31-32	√
12mm	56-58	X
14mm	92-94	X

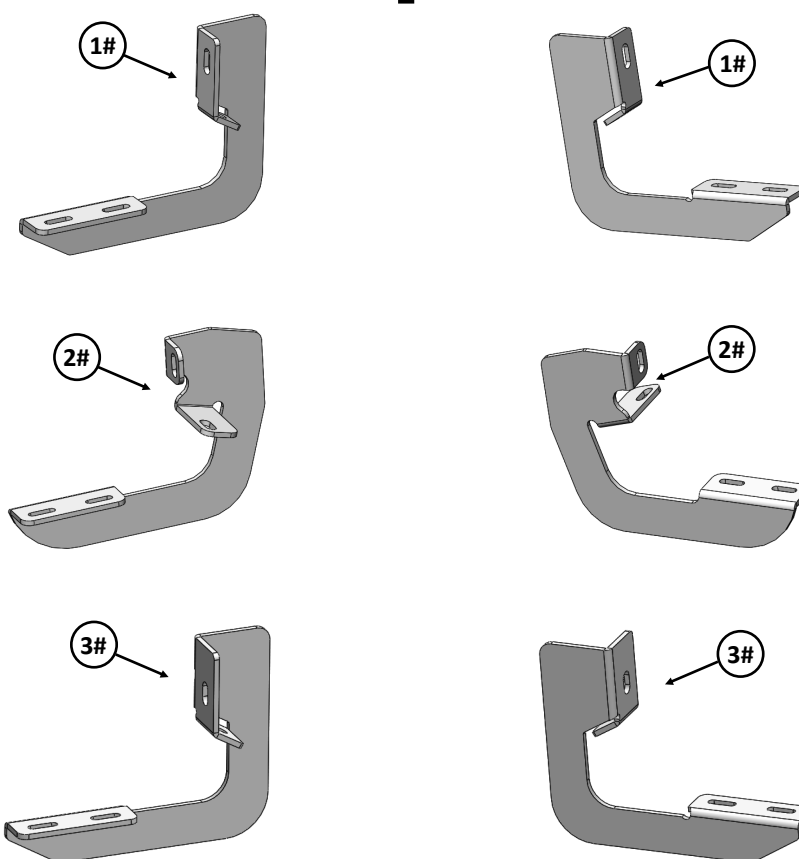
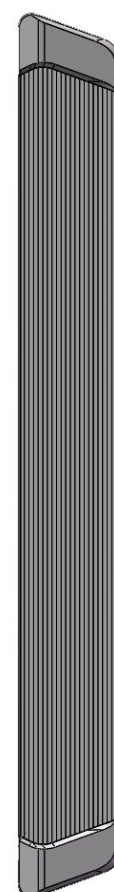
Driver



Front

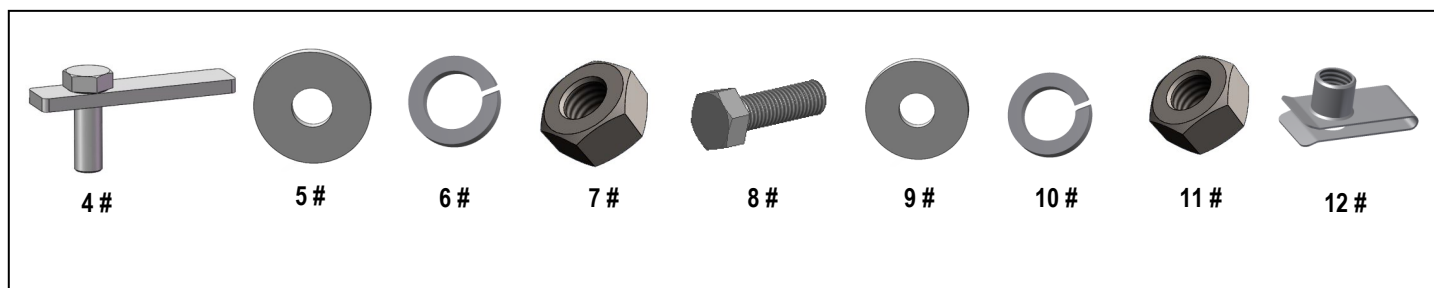


Passenger

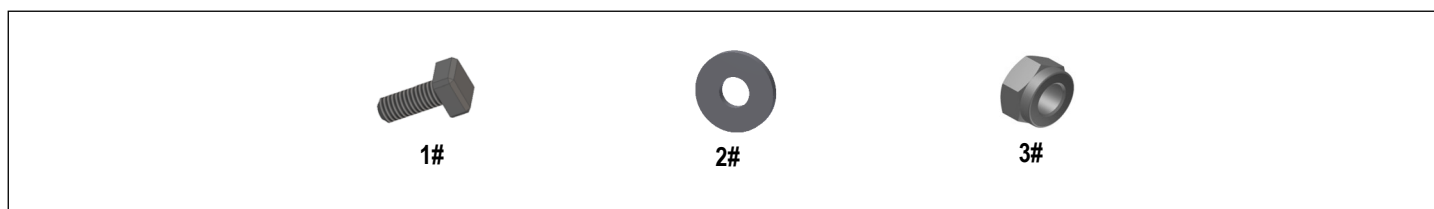




Hardware Package A (For Bracket Installation)					
Item	QTY	Description	Item	QTY	Description
1#	2	Driver/Passenger Front Mounting Brackets	7#	2	M10 Hex Nuts
2#	2	Driver/Passenger Center Mounting Brackets	8#	10	M8X1.25-25mm Hex Bolts
3#	2	Driver/Passenger Rear Mounting Brackets	9#	16	M8 Large Flat Washers
4#	2	M10X45 Bolt Plates	10#	10	M8 Lock Washers
5#	2	M10 Large Flat Washers	11#	6	M8 Hex Nuts
6#	2	M10 Lock Washers	12#	4	M8 Clip Nuts



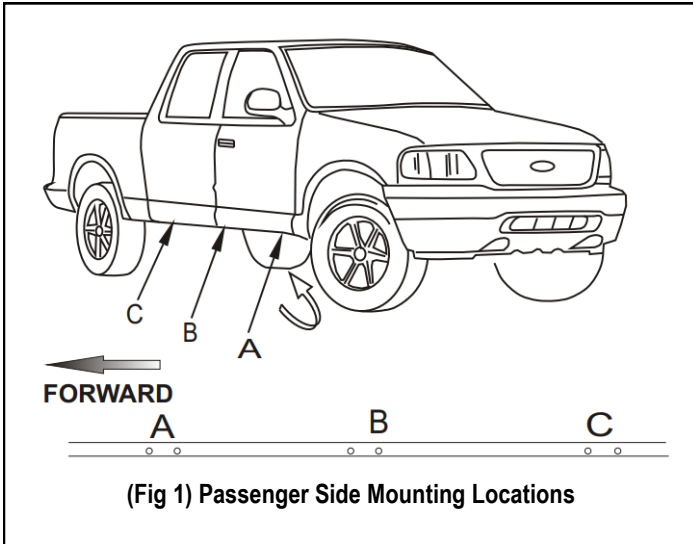
Hardware Package B (For Step Bar Installation)					
Item	QTY	Description	Item	QTY	Description
1#	12	M6X1-20mm Square Head Bolts	3#	12	M6 Nylon Lock Nuts
2#	12	M6 Large Flat Washers			





STEP 1

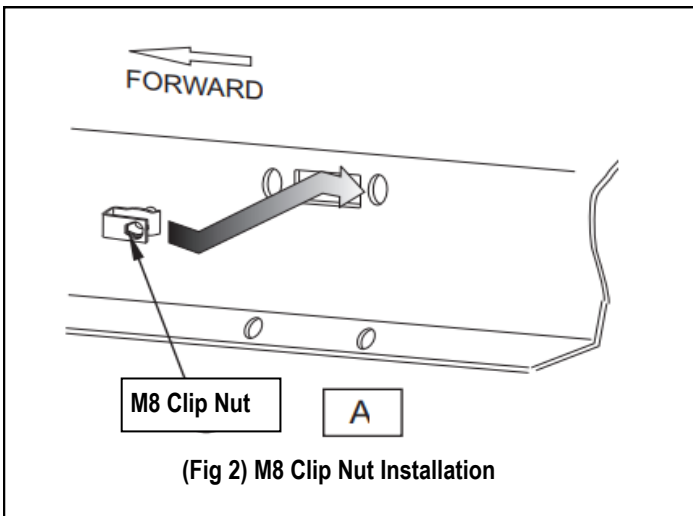
Starting on the passenger side of the vehicle. Locate mounting locations as shown, **(Fig 1)**.



(Fig 1) Passenger Side Mounting Locations

STEP 2

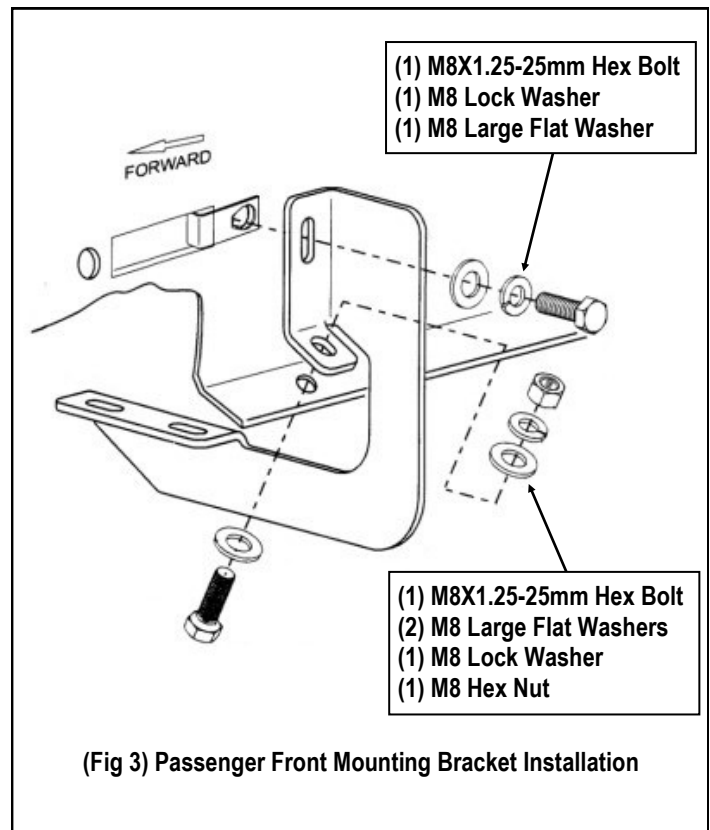
Starting on the passenger side front of the vehicle. Select (1) M8 Clip Nut, install the M8 Clip Nut as shown, **(Fig 2)**.



(Fig 2) M8 Clip Nut Installation

STEP 3

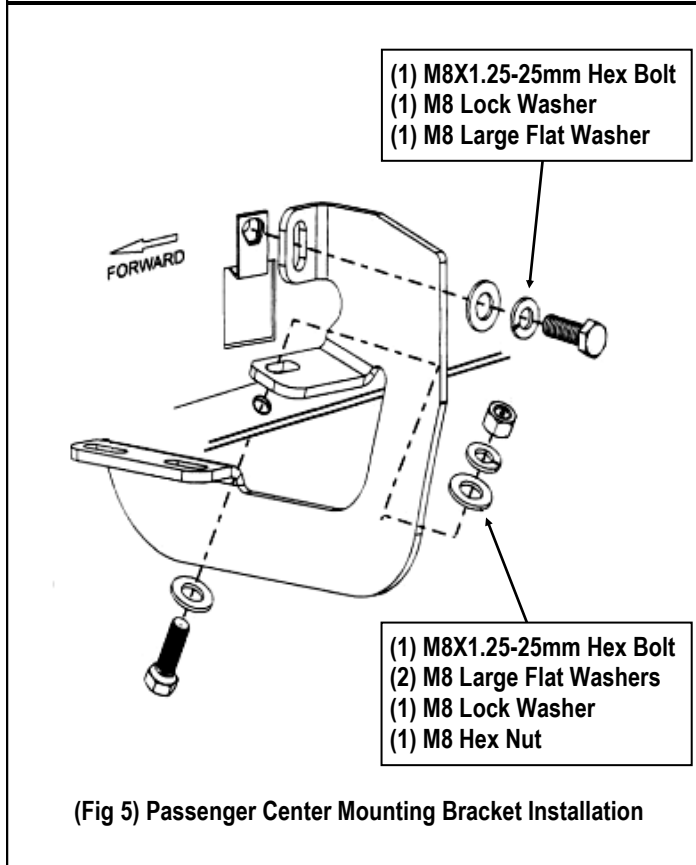
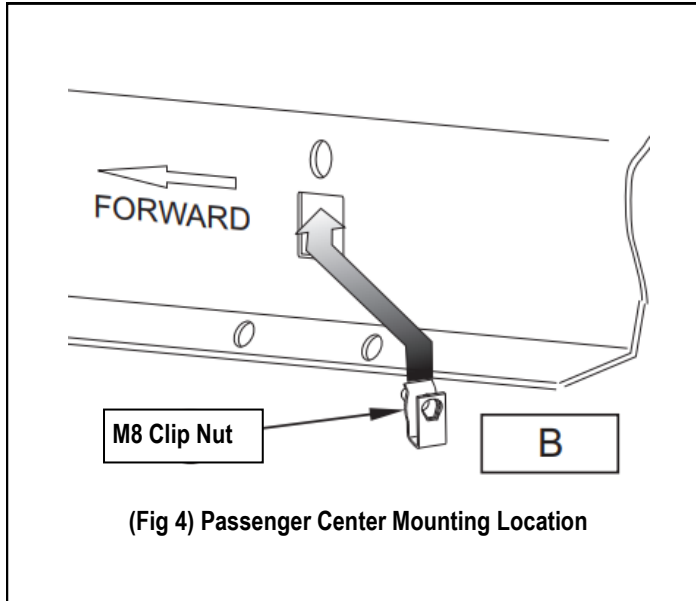
Attach the Passenger Front Mounting Bracket to the installed M8 Clip Nut with (1) M8X1.25-25mm Hex Bolt, (1) M8 Lock Washer and (1) M8 Large Flat Washer; to rocker panel with (1) M8X1.25-25mm Hex Bolt, (2) M8 Large Flat Washers, (1) M8 Lock Washer and (1) M8 Hex Nut, **(Fig 3)**. Do not fully tighten hardware at this time.



(Fig 3) Passenger Front Mounting Bracket Installation

STEP 4

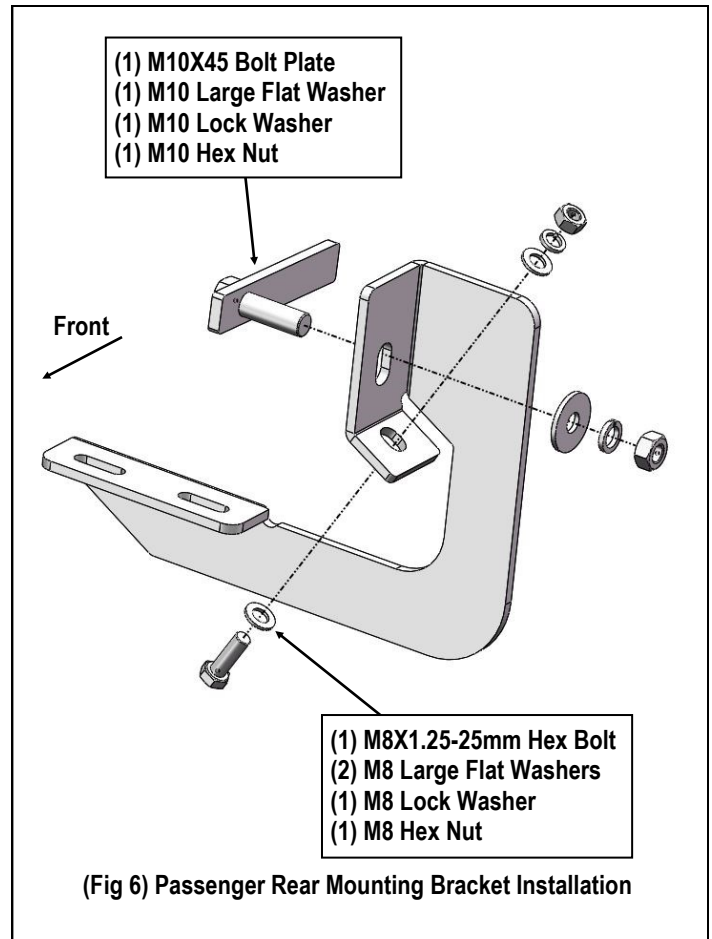
Move to the passenger side center of the vehicle, repeat **Steps 1-2** for Passenger Center Mounting Bracket installation, **(Figs 4-5)**. Do not fully tighten hardware at this time.



STEP 5

Move to the passenger side rear of the vehicle, attach the Passenger Rear Mounting Bracket by locating the large circular hole in the rocker panel insert (1) M10X45 Bolt Plate into the hole and attach the rear bracket using (1) M10 Large Flat Washer, (1) M10 Lock Washer, and (1) M10 Hex Nut. Don't fully tighten at this time.

Once attached, drill a 8mm hole through the pinch weld and attach using (1) M8X1.25-25mm Hex Bolt, (2) M8 Large Flat Washers, (1) M8 Lock Washer, (1) M8 Hex Nut, (Fig 6). Don't fully tighten at this time.



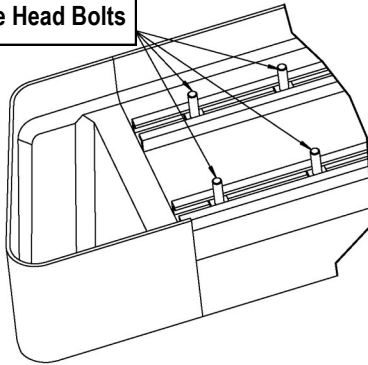


STEP 6

Once all (3) mounting brackets are installed. Select a Running Board. Slip (3) M6X1-20mm Square Head Bolts into each bottom channel (**Fig 7**). Carefully position the Running Board onto the (3) Mounting Brackets. Attach the Running Board to each Mounting Bracket with (2) M6X1-20mm Square Head Bolts, (2) M6 Large Flat Washers and (2) M6 Nylon Lock Nuts (**Fig 8**). Do not fully tighten at this time.

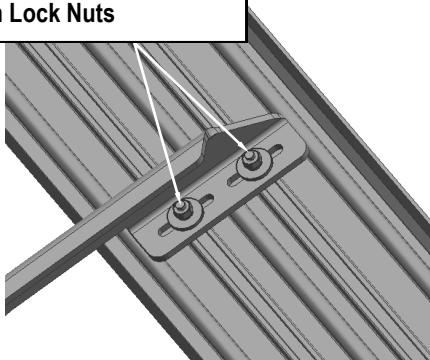
IMPORTANT: Do not slide the Running Board on the Brackets or the bottom surface of the board will be damaged.

M6X1-20mm Square Head Bolts



(Fig 7) Slip M6X1-20mm Square Head Bolts Into The Bottom Channels

(2) M6X1-20mm Square Head Bolts
(2) M6 Large Flat Washers
(2) M6 Nylon Lock Nuts



(Fig 8) Running Board Installed Onto Mounting Bracket

STEP 7

Level and adjust the Running Board and fully tighten all hardware.

Important: Please follow the recommended Tightening Torques shown in the table on page 1. Don't over tighten, or the nuts/bolts will be damaged.

STEP 8

Repeat **Steps 1-7** for the other side Running Board installation. The installation is completed .

Attention

Do periodic inspections to the installation to make sure that all hardware is secure and tight.

In order to protect your bars/boards, please use mild soap/non-abrasive products for cleaning only.