

# iBoard®



Scan for  
Installation Video

## iBoard® by APS

PART#: IB-034C&H

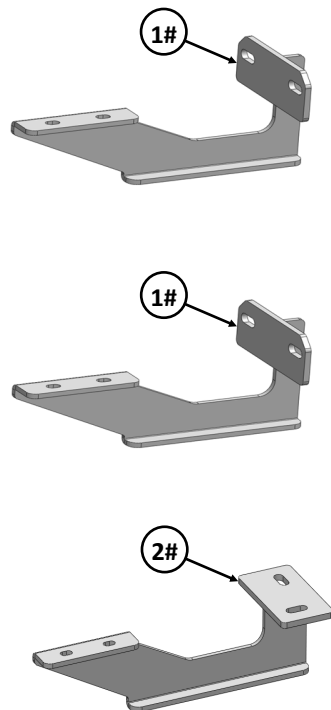
READ INSTRUCTIONS CAREFULLY BEFORE STARTING INSTALLATION. REMOVE CONTENTS FROM BOX AND VERIFY ALL PARTS ARE PRESENT. ASSISTANCE IS RECOMMENDED.

\*ROCKER PANEL MOUNT  
\*NO DRILLING REQUIRED

Fastener Size	Tightening Torque (ft-lbs)	Required
6mm	6-7	X
8mm	16-18	√
10mm	31-32	√
12mm	56-58	X
14mm	92-94	X

### PART LIST

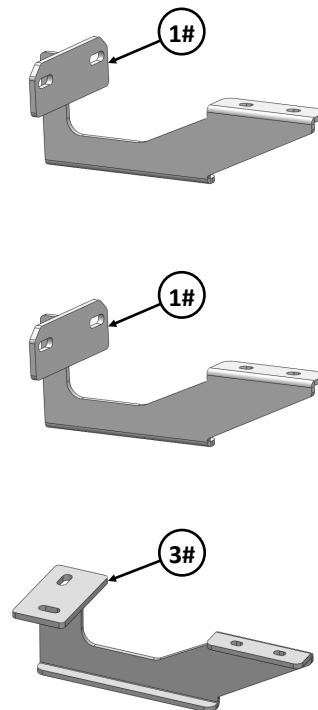
#### Driver Side Step Bar



Front




#### Passenger Side Step Bar






Mounting Bracket List					
Item	QTY	Description	Item	QTY	Description
1#	4	Driver & Passenger Front / Center Mounting Brackets	3#	1	Passenger Rear Mounting Bracket
2#	1	Driver Rear Mounting Bracket			


Hardware Package A (For Bracket Installation)					
Item	QTY	Description	Item	QTY	Description
1#	1	M10 Driver Double Nut Plate	5#	4	M10 Lock Washers
2#	1	M10 Passenger Double Nut Plate	6#	8	M8X1.25-35mm Hex Bolts
3#	4	M10X1.5-40mm Hex Bolts	7#	8	M8 Large Flat Washers
4#	4	M10 Large Flat Washers	8#	8	M8 Lock Washers




1#




2#




3#




4#




5#



6#

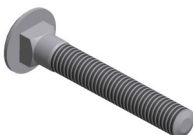


7#




8#


Hardware Package B (For Stainless Steel Step Bar Installation)					
Item	QTY	Description	Item	QTY	Description
1#	12	M8X1.25-35mm Carriage Bolts	3#	12	M8 Nylon Lock Nuts
2#	12	M8 Large Flat Washers	4#	6	Sliders (Packed with Step Bars)




1 #



2 #



3 #



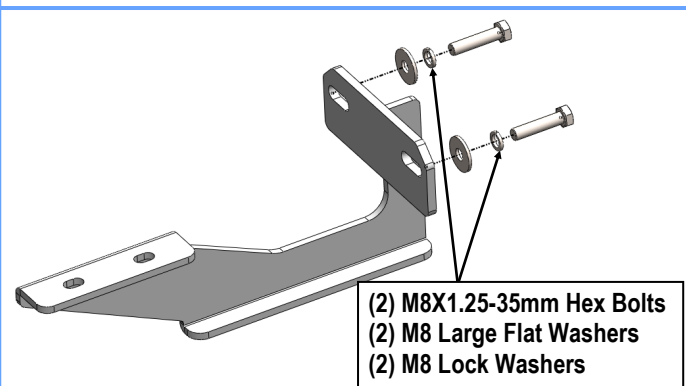
4 #



## STEP 1

Start installation from the driver side front of the vehicle. Locate the (2) factory 8mm threaded holes in the inner body panel, (Figs 1 & 3). **NOTE:** Holes may be covered with plugs or under-coating.

Select (1) Mounting Bracket. Bolt the Mounting Bracket to the (2) threaded holes with (2) M8X1.25-35mm Hex Bolts, (2) M8 Lock washers and (2) M8 Large Flat Washer. Do not fully tighten hardware at this time.



(Fig 1) Driver Front Mounting Bracket Installation

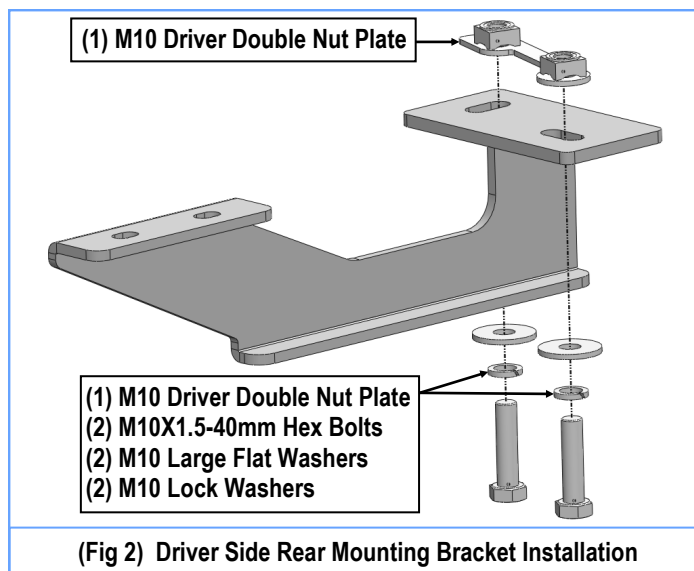
## STEP 2

Move to the center location. Repeat **Step 1** for driver side Center Bracket installation. Do not fully tighten hardware at this time. **NOTE: Driver side and passenger side front / center Bracket are universal.**

## STEP 3

Move to the driver side rear of the vehicle. Locate the oval and round hole in bottom of the floor panel. Insert (1) M10 Driver Double Nut Plate into the oval hole. Line up the threaded nuts with the round and oval holes, (Fig 2). **NOTE:** Nut Plate must be flat against the inside of the body panel with the Welded nuts on top.

Select the Driver Rear Mounting Bracket. Bolt the Bracket to the M10 Driver Double Nut Plate with (2) M10X1.5-40mm Hex Bolts, (2) M10 Lock Washers and (2) M10 Large Flat Washers, (Fig 2). Do not fully tighten hardware at this time.



(Fig 2) Driver Side Rear Mounting Bracket Installation

## STEP 4

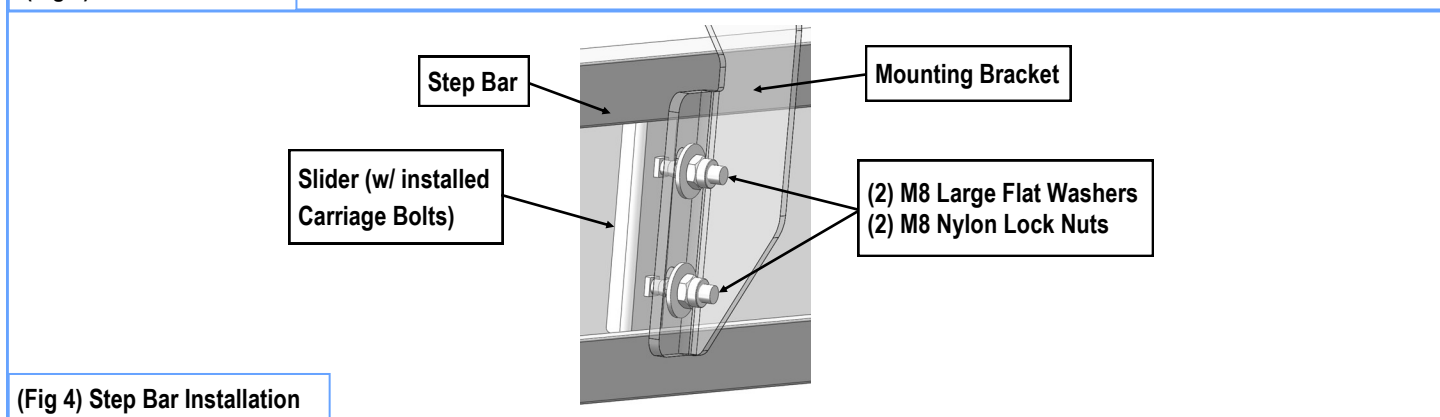
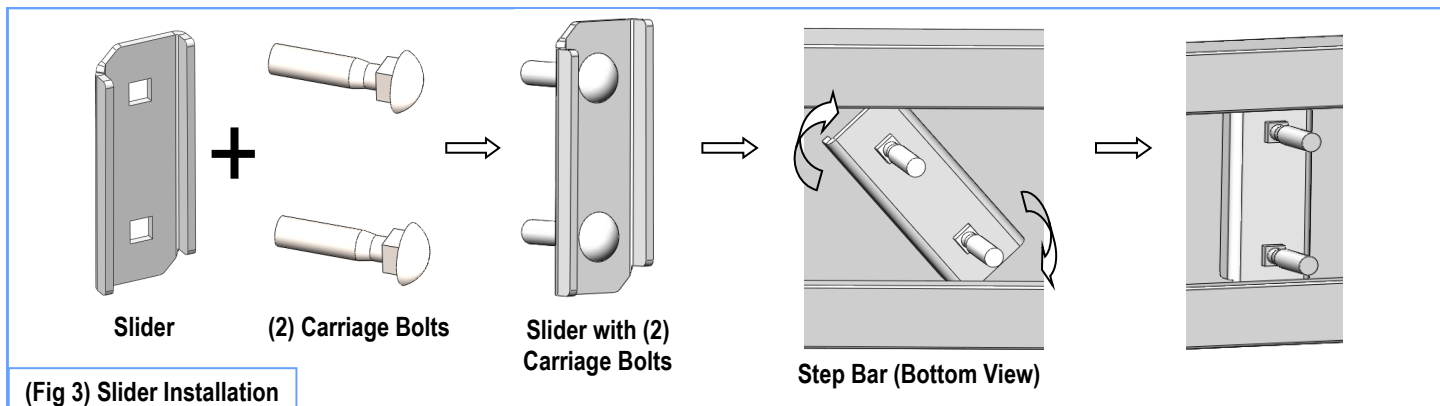
Once all (3) Driver side mounting brackets are installed, then proceed to the Step Bar installation. (Figs 3 & 4)

- (1) Select (1) Slider and (2) M8X1.25-35mm Carriage Bolts;
- (2) Install (2) M8X1.25-35mm Carriage Bolts in (1) Slider.
- (3) Slide the Slider (with carriage bolts) to the **Step Bar**.
- (4) Repeat to install the other (2) sliders to the step bar.
- (5) Attach the Step Bar (with the Sliders) onto the installed mounting brackets. Position the Sliders to the installed brackets. Secure the Step Bar to the installed Brackets by using (6) M8 Large Flat Washers and (6) M8 Nylon Lock Nuts and (3) Sliders, (Fig 4). Do not fully tighten hardware at this time.

**Note:** The Sliders are packed with the Step Bars.

Level and adjust the Step Bar and fully tighten all hardware.

Repeat **Steps 1-4** for the other side Step Bar installation. **The installation is completed!!!**



### Attention

Do periodic inspections to the installation to make sure that all hardware is secure and tight.  
In order to protect your bars/boards, please use mild soap/non-abrasive products for cleaning only.