

iBoard®



Scan for
Installation Video

iBoard® by APS

PART#: IB-039C&H

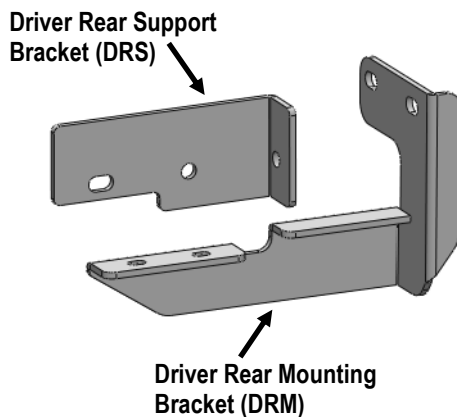
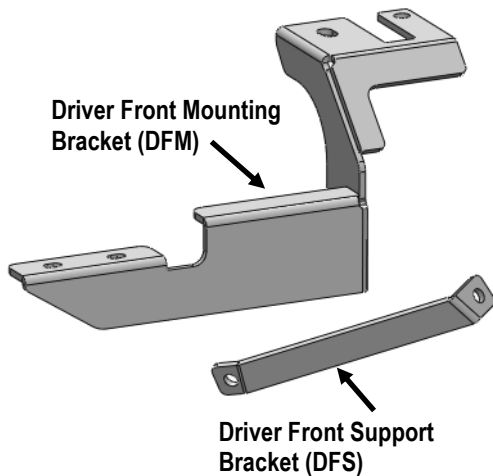
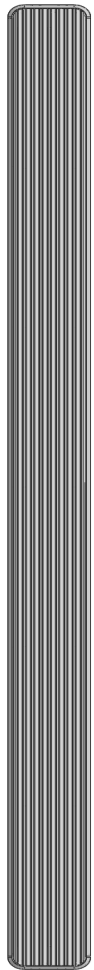
READ INSTRUCTIONS CAREFULLY BEFORE STARTING INSTALLATION. REMOVE CONTENTS FROM BOX AND VERIFY ALL PARTS ARE PRESENT. ASSISTANCE IS RECOMMENDED.

*ROCKER PANEL MOUNT
*NO DRILLING REQUIRED

Fastener Size	Tightening Torque (ft-lbs)	Required
6mm	6-7	X
8mm	16-18	√
10mm	31-32	√
12mm	56-58	X
14mm	92-94	X

PART LIST

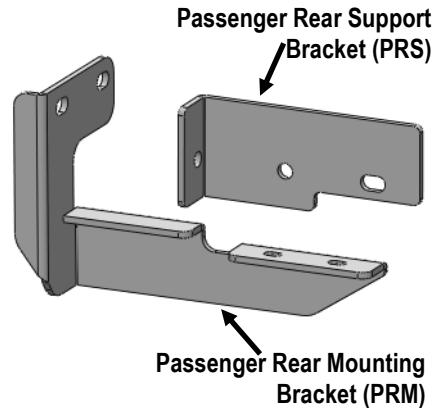
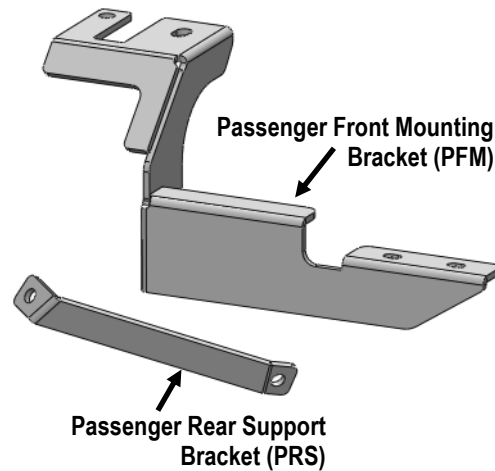
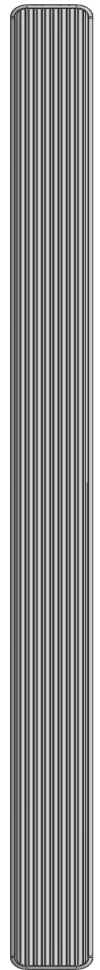
Driver Side Step Bar



Front



Passenger Side Step Bar



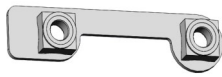
Customer Support: info@iboardauto.com



Scan for
Installation Video

Hardware Package A (For Bracket Installation)

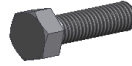
Item	QTY	Description	Item	QTY	Description
1#	1	M10 Driver Double Nut Plate	4#	24	M10 Large Flat Washers
2#	1	M10 Passenger Double Nut Plate	5#	14	M10 Lock Washers
3#	14	M10X1.5-30mm Hex Bolts	6#	10	M10X1.5 Hex Nuts



1 #



2 #



3 #



4 #



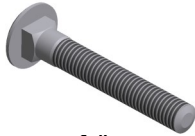
5 #



6 #

Hardware Package B (For Stainless Steel Step Bar Installation)

Item	QTY	Description	Item	QTY	Description
1#	8	M8X1.25-35mm Carriage Bolts	3#	8	M8 Nylon Lock Nuts
2#	8	M8 Large Flat Washers	4#	4	Sliders (Packed with Step Bars)



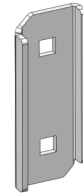
1 #



2 #



3 #



4 #



STEP 1

From underside of vehicle, locate the three factory holes (one large, two small) in the driver side cross frame by the front body mount. With the welded nuts facing up, insert the smaller end of the driver side Double Nut Plate through large hole in the frame and orient it to front smaller hole (**Fig 1**).

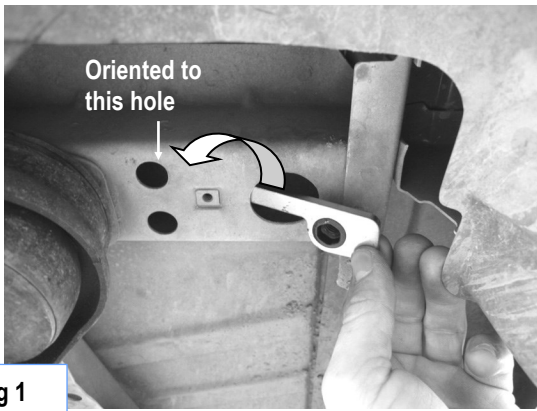
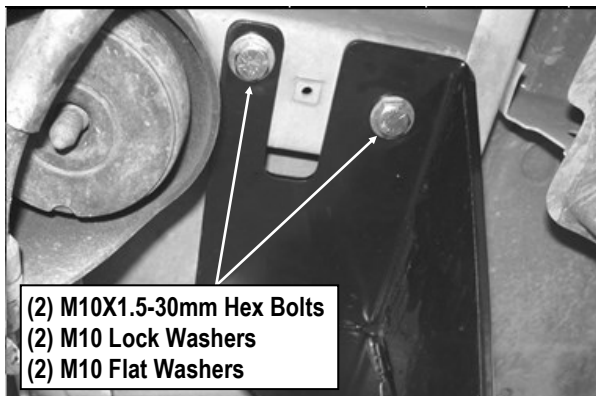


Fig 1

STEP 2

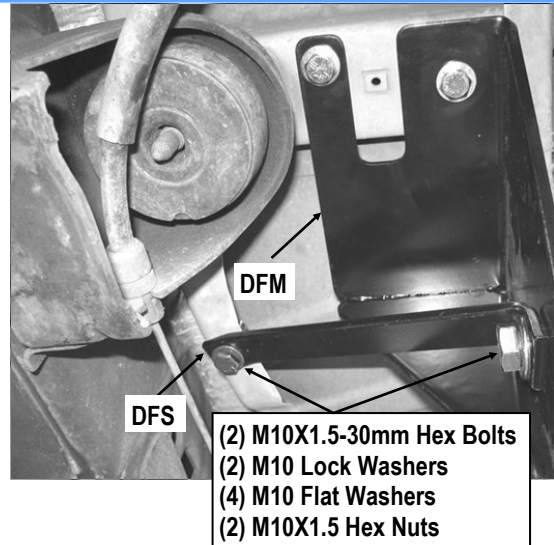
Partially hang Driver Front Mounting Bracket (DFM) to the installed Double Nut Plate using the included (2) M10X1.5-30mm Hex Bolts, (2) M10 Lock Washers, and (2) M10 Flat Washers (**Fig 2**). Do not fully tighten at this time.



(Fig 2) Driver Side Front Bracket Installed

STEP 3

On the rear side of the driver front body mount there is a factory hole in the floor panel located by the frame rail, loosely attach the straight end of the Driver Front Support Bracket (DFS) to this factory hole using the included (1) M10X1.5-30mm Hex Bolt, (1) M10 Lock Washer, (1) M10X1.5 Hex Nut, and (2) M10 Flat Washers. And attach the angle end of the Driver Front Support Bracket (DFS) to the Driver Front Mounting Bracket (DFM) with (1) M10X1.5-30mm Hex Bolt, (1) M10 Lock Washer, (1) M10X1.5 Hex Nut, and (2) M10 Flat Washers, (**Fig 3**). Do not fully tighten at this time.



(Fig 3) Driver Front Support Bracket Installed

STEP 4

With the 90° bend towards the rear of the vehicle and facing the side of the vehicle, insert the Driver Rear Support Bracket (DRS) through rectangular hole located in the bottom of the body (**Fig 4**). Line up the hole in the 90° bend with factory hole located between the cab and the bed of the vehicle and secure it using the (1) M10X1.5-30mm Hex Bolt, (1) M10 Lock Washer, (1) M10X1.5 Hex Nut, and (2) M10 Flat Washers, (**Fig 5**). Do not fully tighten at this time.

NOTE: Before tightening make sure that the two holes on the longer side of the Support Bracket lines up with the two factory holes located in the side panel.

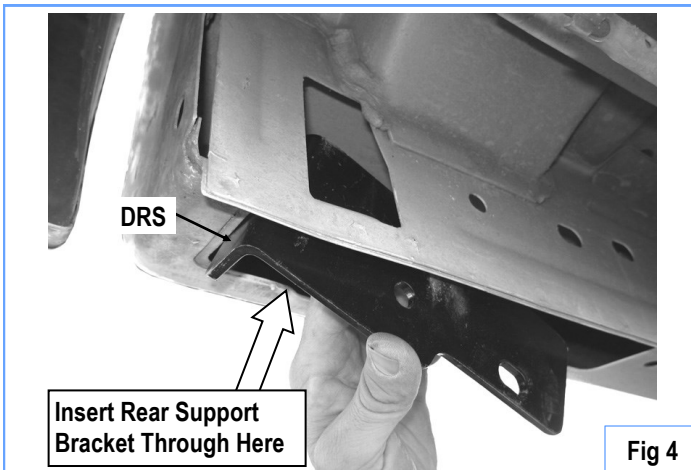


Fig 4

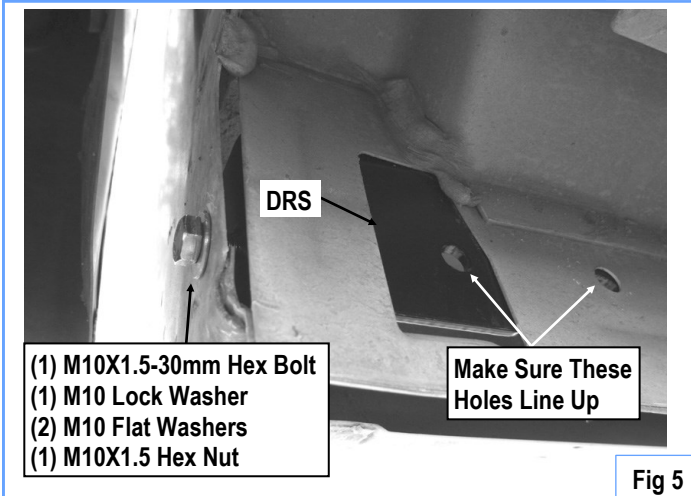
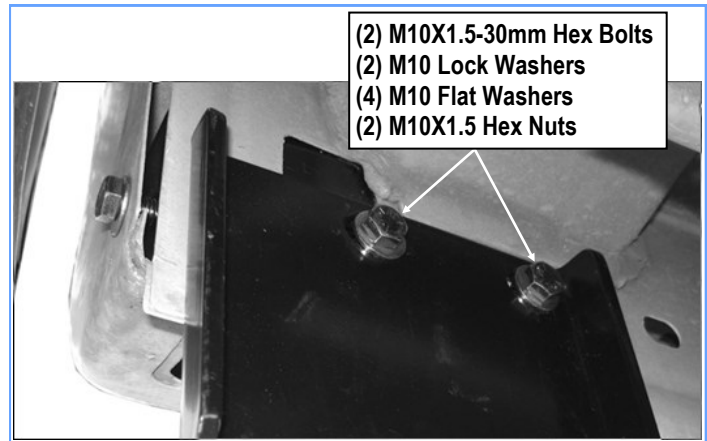


Fig 5

STEP 5

Loosely attach Driver Rear Mounting Bracket to installed Driver Rear Support Bracket using the included (1) M10X1.5-30mm Hex Bolt, (1) M10 Lock Washer, (1) M10X1.5 Hex Nut, and (2) M10 Flat Washers, (Fig 6). Do not fully tighten at this time.

NOTE: Make sure that the 90° bends on the rear Mounting Bracket are facing the inside of the vehicle when installed.



(Fig 6) Driver Side Rear Bracket Assembly

STEP 6

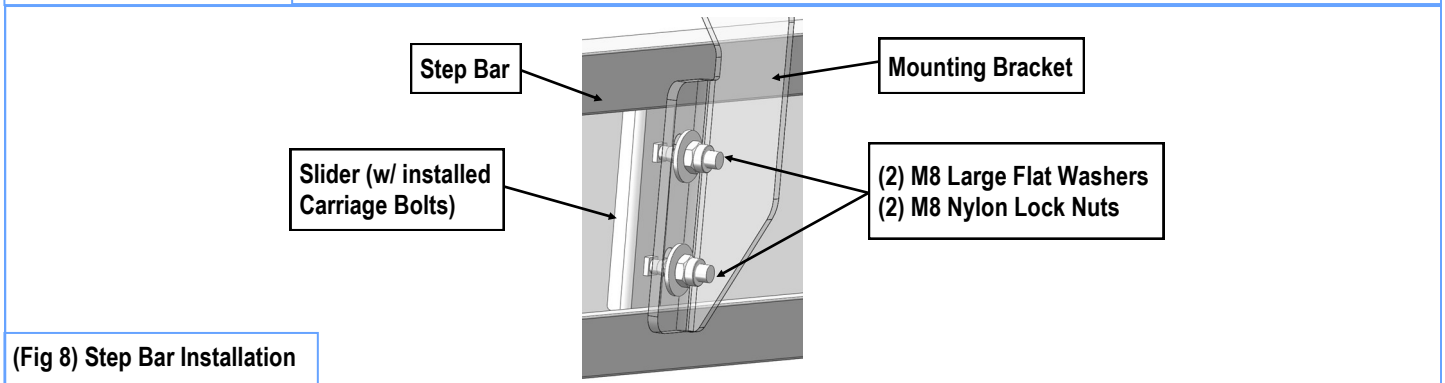
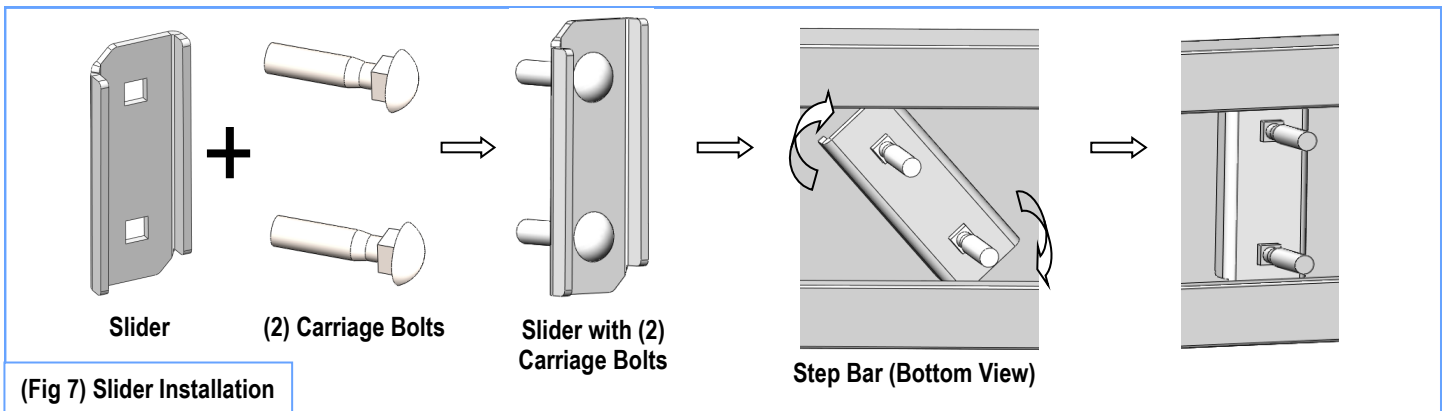
Once all (2) Driver side mounting brackets are installed, then proceed to the Step Bar installation. (Figs 7 & 8)

- (1) Select (1) Slider and (2) M8X1.25-35mm Carriage Bolts;
- (2) Install (2) M8X1.25-35mm Carriage Bolts in (1) Slider.
- (3) Slide the Slider (with carriage bolts) to the **Step Bar**.
- (4) Repeat to install the other (1) slider to the step bar.

- (5) Attach the Step Bar (with the Sliders) onto the installed mounting brackets. Position the Sliders to the installed brackets. Secure the Step Bar to the installed Brackets by using (4) M8 Large Flat Washers and (4) M8 Nylon Lock Nuts and (2) Sliders, (Fig 8). Do not fully tighten hardware at this time.

Note: The Sliders are packed with the Step Bars.

Level and adjust the Step Bar and fully tighten all hardware. Repeat **Steps 1-6** for the other side Step Bar installation. **The installation is completed!!!**



Attention

Do periodic inspections to the installation to make sure that all hardware is secure and tight.
In order to protect your bars/boards, please use mild soap/non-abrasive products for cleaning only.