

iBoard®

iBoard® by APS

PART#: IB-032A-B

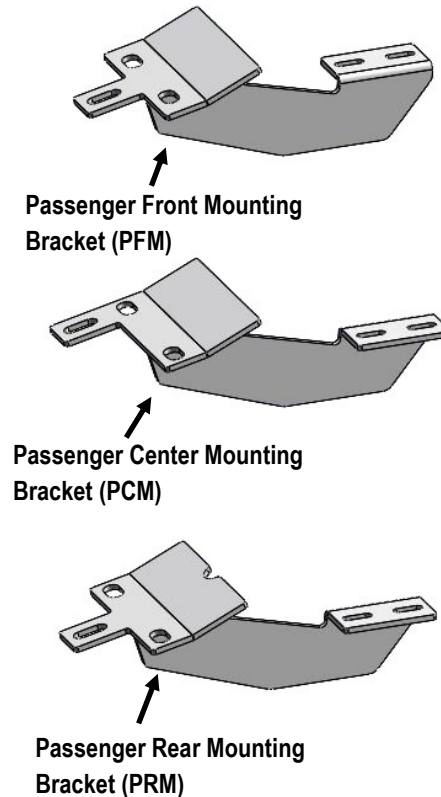
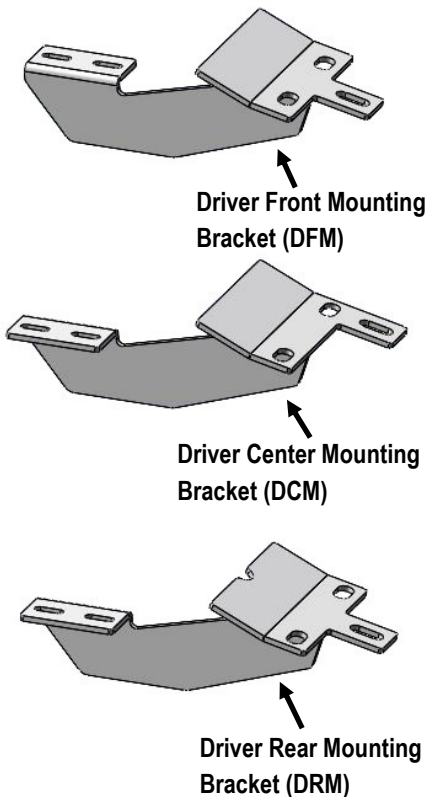
READ INSTRUCTIONS CAREFULLY BEFORE STARTING INSTALLATION. REMOVE CONTENTS FROM BOX AND VERIFY ALL PARTS ARE PRESENT. ASSISTANCE IS RECOMMENDED.

*BODY FRAME MOUNT
*NO DRILLING REQUIRED

Fastener Size	Tightening Torque (ft-lbs)
6mm	6-7
8mm	16-18
10mm	31-32
12mm	56-58
14mm	92-94

PART LIST

Front
↑



Customer Support: info@iboardauto.com

iBoard®



STEP 1

Start installation from the driver side of the vehicle. From underside of the vehicle locate (2) Christmas trees fasteners in the front and (2) in the back. Use a flat screw driver and a pair of pliers to remove Christmas trees fasteners from side panel, and then remove plastic brackets with studs from pinch weld, (Fig 1A).

NOTE: Some 08 Models may be equipped with side valance (Fig 1B); if so you will need to permanently remove it from vehicle .



Fig 1A

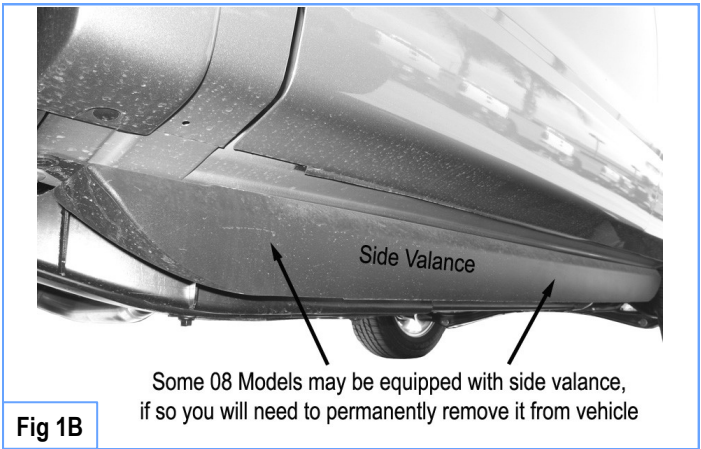
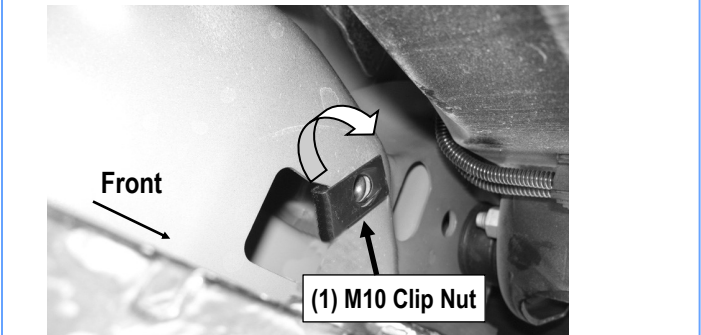


Fig 1B

STEP 2

Start installation from the driver side of the vehicle. Locate the (2) front factory holes on the driver side floor panel located by the front tire. With the threaded nut facing up, insert (1) M10 Clip Nut through larger hole. Orient Clip Nut to engage in the smaller hole (Fig 2).



(Fig 2) Insert (1) M10 Clip Nut

iBoard®

STEP 3

Select the Driver Front Mounting Bracket (**DFM**). Attach the Front Mounting Bracket to pinch weld with (2) M10X1.5-30mm Hex Bolts, (4) M10 Flat Washers, (2) M10 Lock Washers and (2) M10 Hex Nuts, (**Figs 3 & 5**). Do not fully tighten hardware at this time.

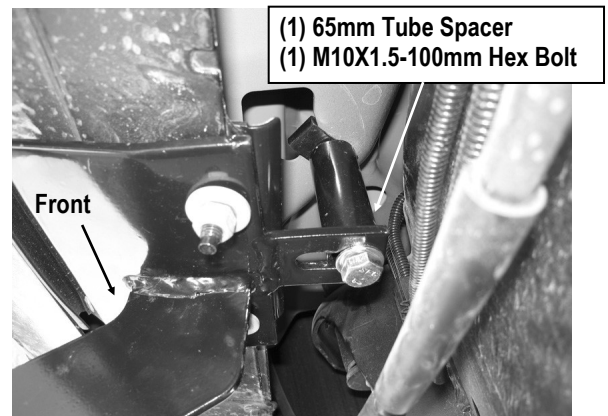


(Fig 3) Driver Front Mounting Bracket Installation

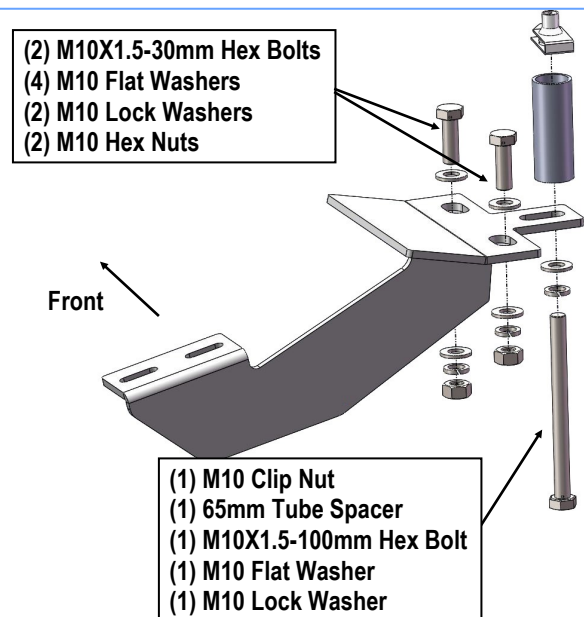
STEP 4

Place (1) short 65mm Tube Spacer between the tab on the Driver Front Mounting Bracket and the installed M10 Clip Nut.

Attach the Driver Front Mounting Bracket to Clip Nut with (1) M10X1.5-100mm Hex Bolt, (1) M10 Flat Washer and (1) M10 Lock Washers, (**Figs 4 & 5**). Do not fully tighten at this time.



(Fig 4) Driver Front Mounting Bracket Installation



(Fig 5) Driver Front Mounting Bracket Installation

STEP 5

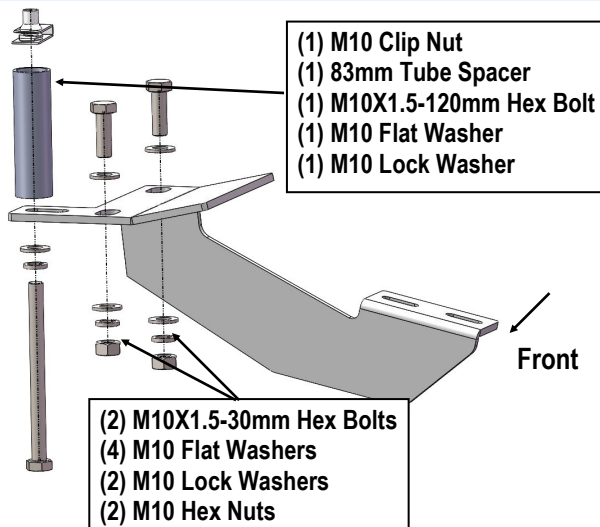
Move to center & rear mounting location. Repeat **Steps 1 – 4** for Driver Center & Rear Mounting Brackets. Depending upon your vehicle, the center factory hole might be too small for the M10 Clip Nut, file the Clip Nut until you are able to mount it, (**Fig 6**).

NOTE: You will be using (1) 83mm Tube Spacer with (1) M10X1.5-120mm Hex Bolt on the Driver Center and Rear Mounting Brackets, (**Fig 7**). Do not fully tighten at this time.

iBoard®



(Fig 6) File The Clip Nut



(Fig 7) Driver Center Mounting Bracket Installation

STEP 6

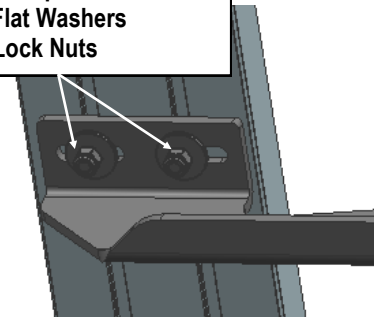
Select a Running Board. Slip (3) M6X1-20mm Square Head Bolts into each bottom channel (Fig 8). Carefully position the Running Board onto the (3) Mounting Brackets.

IMPORTANT: Do not slide the Running Board on the Brackets or the bottom surface of the board will be damaged. Attach the Running Board to each Mounting Bracket with (2) M6x1-20mm Square Head Bolts, (2) M6 Large Flat Washers and (2) M6 Nylon Lock Nuts (Fig 9). Do not fully tighten at this time.



(Fig 8) Slip M6X1-20mm Square Head Bolts Into The Bottom Channels

- (2) M6X1-20mm Square Head Bolts
- (2) M6 Large Flat Washers
- (2) M6 Nylon Lock Nuts



(Fig 9) Running Board Installed Onto the Mounting Bracket

STEP 7

Level and adjust the Running Board and fully tighten all hardware.

STEP 8

Repeat **Steps 1-7** for other side Running Board installation. The installation is completed.

Attention

Do periodic inspections to the installation to make sure that all hardware is secure and tight.

In order to protect your bars/boards, please use only mild soap/non-abrasive products for cleaning.