



## iBoard® by APS

PART#: IB-028C&H

READ INSTRUCTIONS CAREFULLY BEFORE STARTING INSTALLATION. REMOVE CONTENTS FROM BOX AND VERIFY ALL PARTS ARE PRESENT. ASSISTANCE IS RECOMMENDED.

\*ROCKER PANEL MOUNT  
\*NO DRILLING REQUIRED

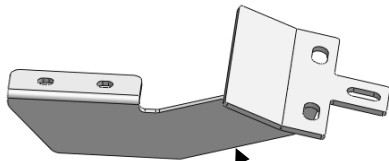
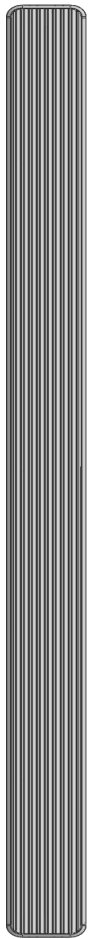
Fastener Size	Tightening Torque (ft-lbs)	Required
6mm	6-7	X
8mm	16-18	√
10mm	31-32	√
12mm	56-58	X
14mm	92-94	X

### PART LIST

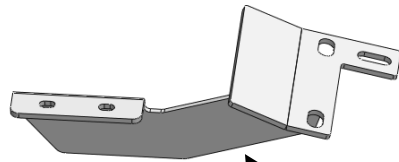
#### Driver Side Step Bar

#### Front

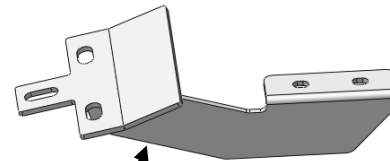
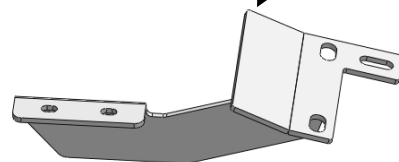
#### Passenger Side Step Bar



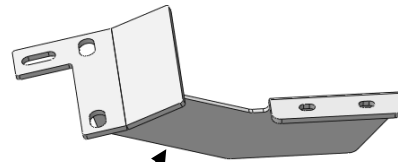
Driver Front Mounting Bracket (DFM)



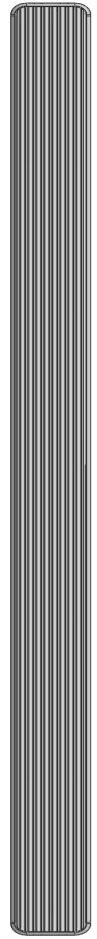
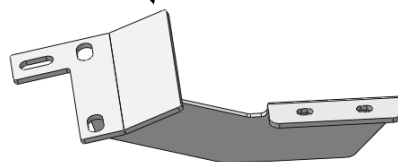
Driver Center/Rear Mounting Bracket (DCM/DRM)



Passenger Front Mounting Bracket (PFM)



Passenger Center/Rear Mounting Bracket (PCM/PRM)

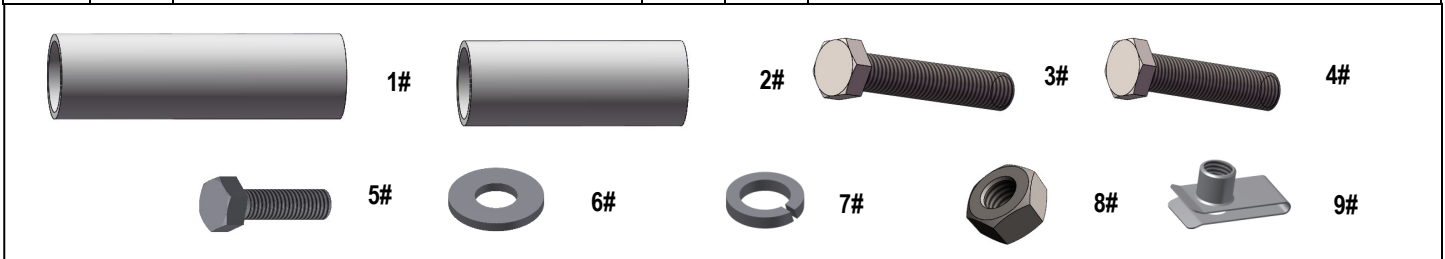


Note: \*Driver Center / Rear Mounting Bracket are universal  
\*Passenger Center / Rear Mounting Bracket are universal



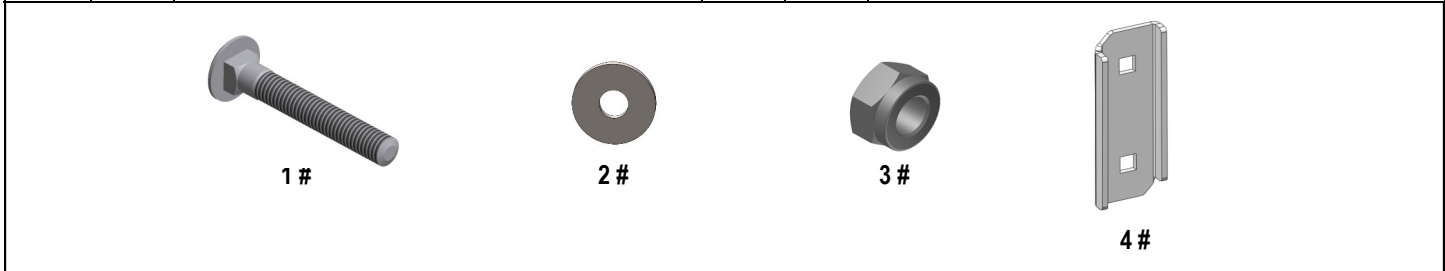
## Hardware Package A (For Bracket Installation)

Item	QTY	Description	Item	QTY	Description
1#	4	85mm Tube Spacers	6#	30	M10 Flat Washers
2#	2	65mm Tube Spacers	7#	18	M10 Lock Washers
3#	4	M10X1.5-120mm Hex Bolts	8#	12	M10 Hex Nuts
4#	2	M10X1.5-100mm Hex Bolts	9#	6	M10 Clip Nuts
5#	12	M10X1.5-30mm Hex Bolts			



## Hardware Package B (For Stainless Steel Step Bar Installation)

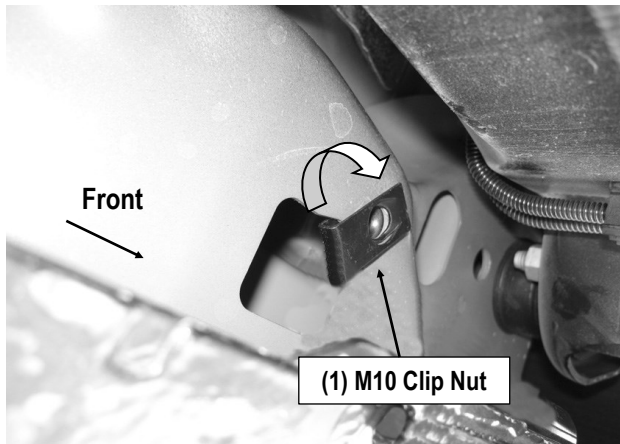
Item	QTY	Description	Item	QTY	Description
1#	12	M8X1.25-35mm Carriage Bolts	3#	12	M8 Nylon Lock Nuts
2#	12	M8 Large Flat Washers	4#	6	Sliders (Packed with Step Bars)





## STEP 1

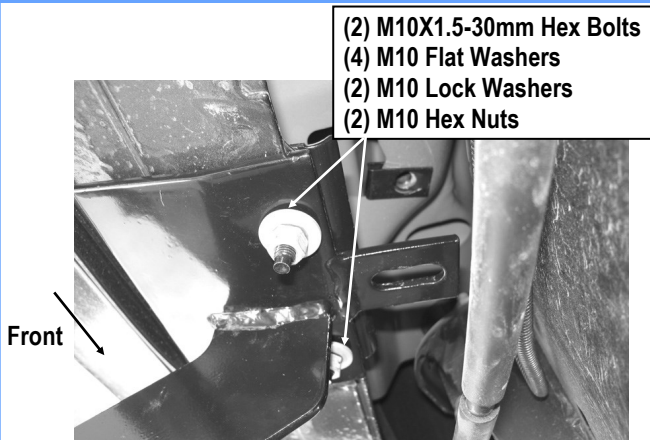
Start installation from the driver side front of the vehicle. From underside of vehicle, locate the (2) front factory holes on the driver side floor panel located by the front tire. With the threaded nut facing up, insert (1) M10 Clip Nut through larger hole. Orient M10 Clip Nut to engage in the smaller hole, **(Fig 1)**.



**(Fig 1)** Insert (1) M10 Clip Nut

## STEP 2

Select the Driver Front Mounting Bracket (DFM). Attach the Front Mounting Bracket to pinch weld with (2) M10X1.5-30mm Hex Bolts, (4) M10 Flat Washers, (2) M10 Lock Washers and (2) M10 Hex Nuts, **(Figs 2 & 4)**. Do not fully tighten hardware at this time.

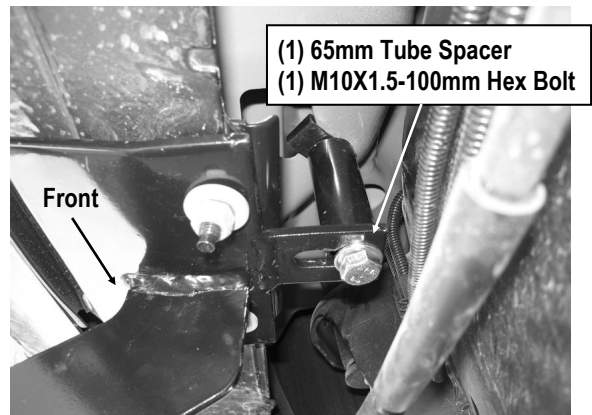


**(Fig 2)** Driver Front Mounting Bracket Installation

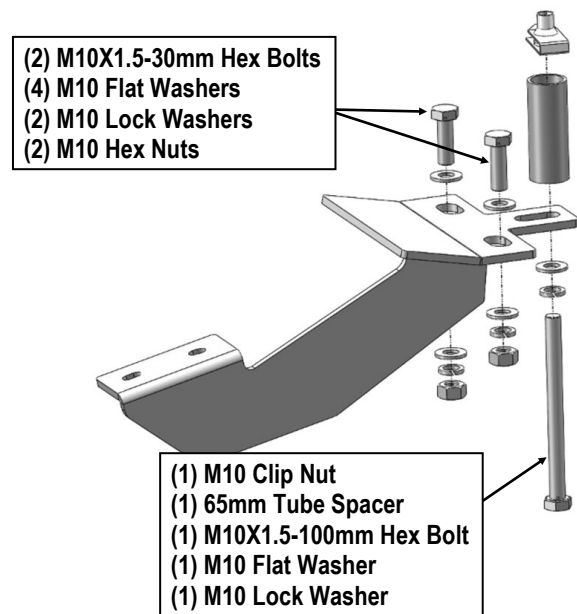
## STEP 3

Place (1) short 65mm Tube Spacer between the tab on the Driver Front Mounting Bracket and the installed M10 Clip Nut.

Attach the Driver Front Mounting Bracket to the installed Clip Nut with (1) M10X1.5-100mm Hex Bolt, (1) M10 Flat Washer and (1) M10 Lock Washers, **(Figs 3 & 4)**. Do not fully tighten at this time.



**(Fig 3)** Driver Front Mounting Bracket Installation



**(Fig 4)** Driver Front Mounting Bracket Installation



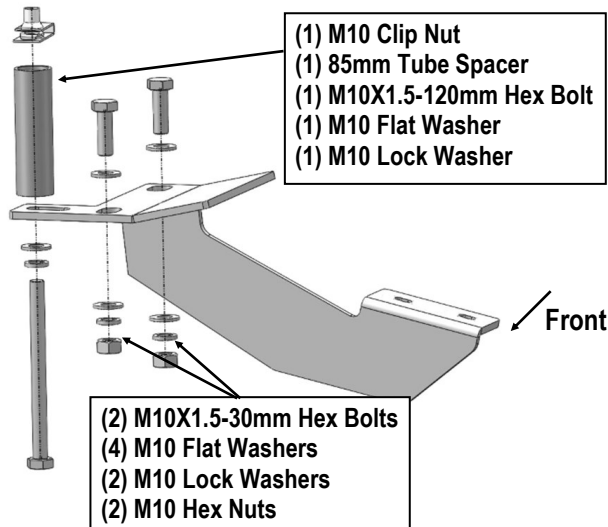
## STEP 4

Move to the driver side center mounting location. Repeat **Steps 2 – 3** for Driver Center Mounting Bracket. Depending upon your vehicle, the center factory hole might be too small for the M10 Clip Nut, file the Clip Nut until you are able to mount it, (**Fig 5**).

**NOTE:** You will be using (1) 85mm Tube Spacer with (1) M10X1.5-120mm Hex Bolt on the Driver Center and Rear Mounting Brackets, (**Fig 6**). Do not fully tighten at this time.



(Fig 5) The Clip Nut Installation



(Fig 6) Driver Center Mounting Bracket (DCM) Installation

## STEP 5

Move to the driver side rear mounting location. Repeat **Step 4** for Driver Rear Mounting Brackets.

**IMPORTANT!** Install the rear Mounting Brackets depending upon your vehicle.

### 07-08 Explorer Sport Trac:

You will need to swap the Rear Mounting Brackets. The **Passenger Rear Mounting Bracket** will mount on the **driver side rear location**, and the **Driver Rear Mounting Bracket** will mount on the **passenger side rear location**.

## STEP 6

Once all (3) Driver side mounting brackets are installed, then proceed to the Step Bar installation. (**Figs 7 & 8**)

(1) Select (1) Slider and (2) M8X1.25-35mm Carriage Bolts;

(2) Install (2) M8X1.25-35mm Carriage Bolts in (1) Slider.

(3) Slide the Slider (with carriage bolts) to the **Step Bar**.

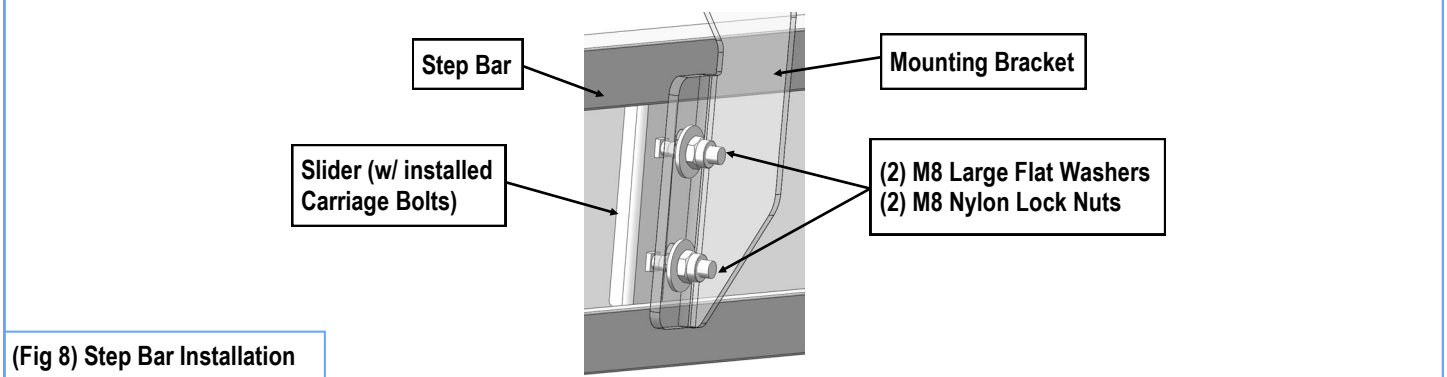
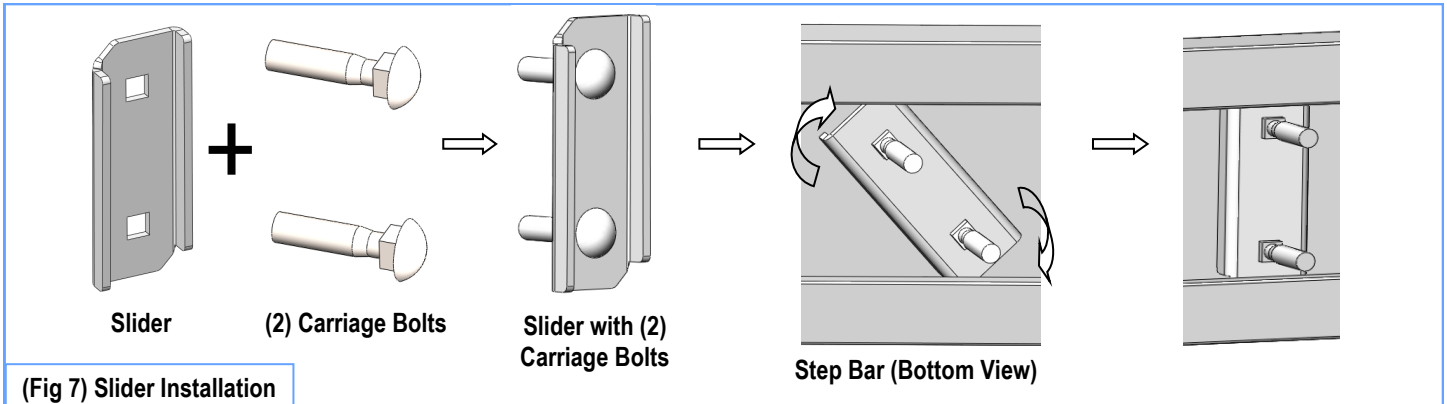
(4) Repeat to install the other (2) sliders to the step bar.

(5) Attach the Step Bar (with the Sliders) onto the installed mounting brackets. Position the Sliders to the installed brackets. Secure the Step Bar to the installed Brackets by using (6) M8 Large Flat Washers and (6) M8 Nylon Lock Nuts and (3) Sliders, (**Fig 8**). Do not fully tighten hardware at this time.

**Note:** The Sliders are packed with the Step Bars.

Level and adjust the Step Bar and fully tighten all hardware.

Repeat **Steps 1-6** for the other side Step Bar installation. **The installation is completed!!!**



### Attention

Do periodic inspections to the installation to make sure that all hardware is secure and tight.  
In order to protect your bars/boards, please use mild soap/non-abrasive products for cleaning only.