



iBoard® by APS

PART#: IB-404C&H

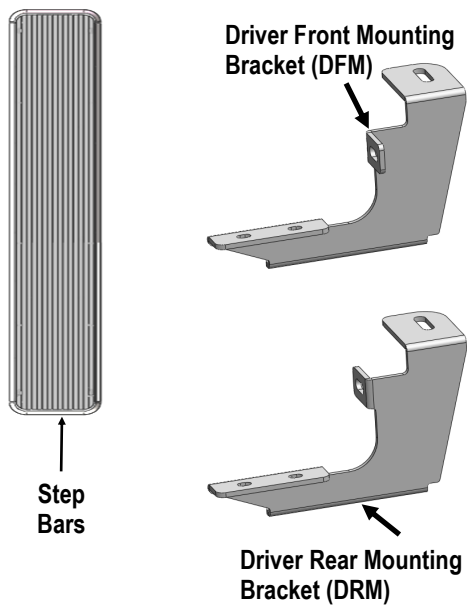
READ INSTRUCTIONS CAREFULLY BEFORE STARTING INSTALLATION. REMOVE CONTENTS FROM BOX AND VERIFY ALL PARTS ARE PRESENT. ASSISTANCE IS RECOMMENDED.

*ROCKER PANEL MOUNT
*DRILLING IS REQUIRED

Fastener Size	Tightening Torque (ft-lbs)	Required
6mm	6-7	X
8mm	16-18	√
10mm	31-32	√
12mm	56-58	X
14mm	92-94	X

PART LIST

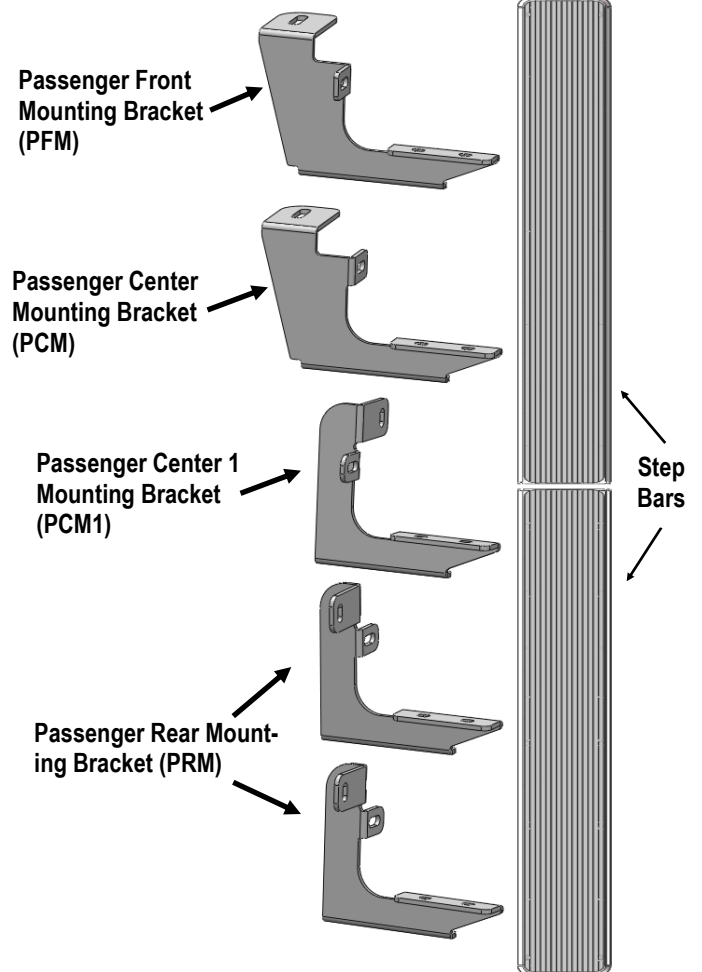
Driver Side Step Bar



Front



Passenger Side Step Bar





Hardware Package A (For Bracket Installation)					
Item	QTY	Description	Item	QTY	Description
1#	1	M8 Insert Installation Tool	8#	10	M8X1.25-25mm Hex Bolts
2#	2	M10X40 Bolt Plates	9#	11	M8 Flat Washers
3#	2	M10X35 Bolt Plates	10#	10	M8 Lock Washers
4#	4	M10 Flat Washers	11#	1	M8 Hex Nuts
5#	4	M10 Lock Washers	12#	10	M8 Clip Nuts
6#	4	M10 Hex Nuts	13#	3	M8 Rivet Nuts
7#	1	M8X1.25-40mm Hex Bolts			

Hardware Package B (For Stainless Steel Step Bar Installation)					
Item	QTY	Description	Item	QTY	Description
1#	14	M8X1.25-35mm Carriage Bolts	3#	14	M8 Nylon Lock Nuts
2#	14	M8 Large Flat Washers	4#	7	Sliders (Packed with Step Bars)

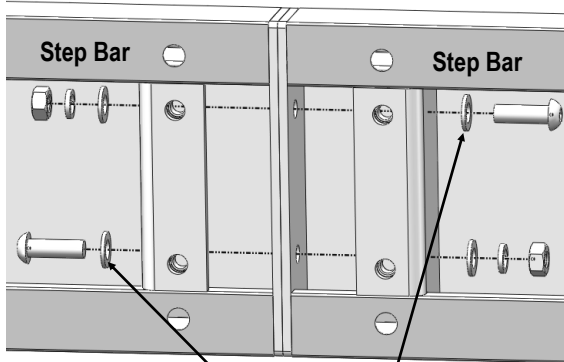
Hardware Package C (For Stainless Steel Step Bar Assembly)					
Item	QTY	Description	Item	QTY	Description
1#	4	Plastic Rivets	5#	2	M8 Hex Nuts
2#	6	M8X1.25-25mm Inner Hex Bolts	6#	1	Plastic Cover (Packed with Step Bars)
3#	8	M8 Flat Washers	7#	1	Back Plate (Packed with Step Bars)
4#	6	M8 Lock Washers			



STEP 1

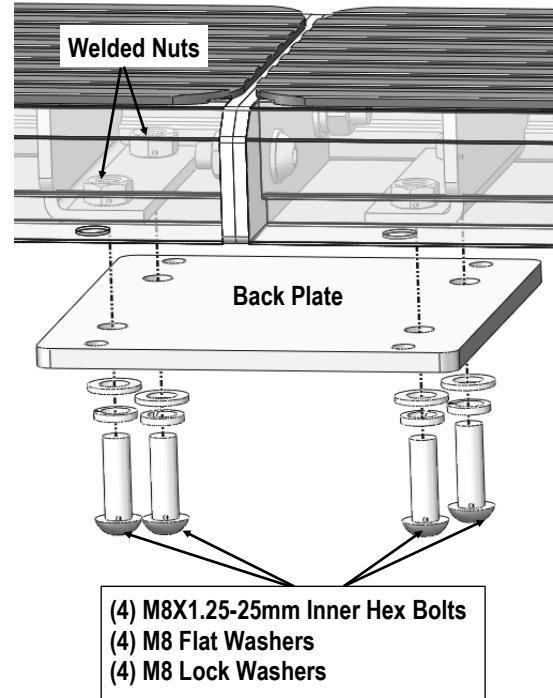
Passenger Side Step Bar Assembly:

1. Select and assemble (2) Step Bars with (2) M8X1.25-25mm Inner Hex Bolts, (4) M8 Flat Washers, (2) M8 Lock Washers and (2) M8 Hex Nuts, (Fig 1). **NOTE: (2) Step Bars are universal.**
2. Attach (1) Back Plate to the bottom of the installed (2) Step Bars with (4) M8X1.25-25mm Inner Hex Bolts, (4) M8 Flat Washers, (4) M8 Lock Washers, (Fig 2).
3. Install (1) Plastic Cover to cover the joint of (2) Step bars with (4) Plastic Rivets, (Fig 3).

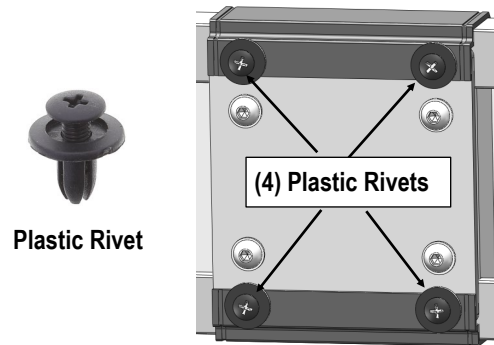


(2) M8X1.25-25mm Inner Hex Bolts
(4) M8 Flat Washers
(2) M8 Lock Washers
(2) M8 Hex Nuts

(Fig 1) Step Bars Assembly



(Fig 2) Back Plate Installation



(Fig 3) Plastic Cover Installation (Bottom View)

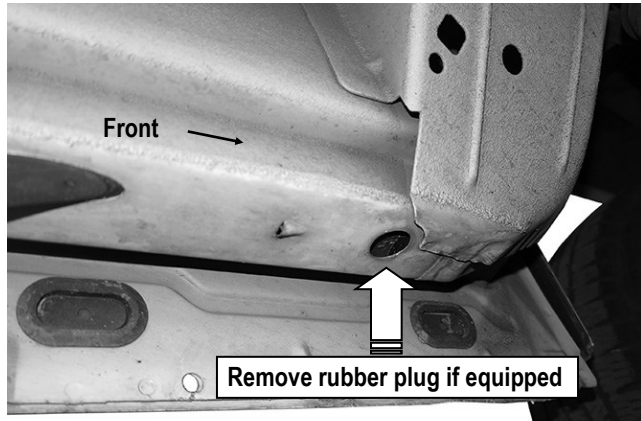
Assembled Passenger Side Step Bar



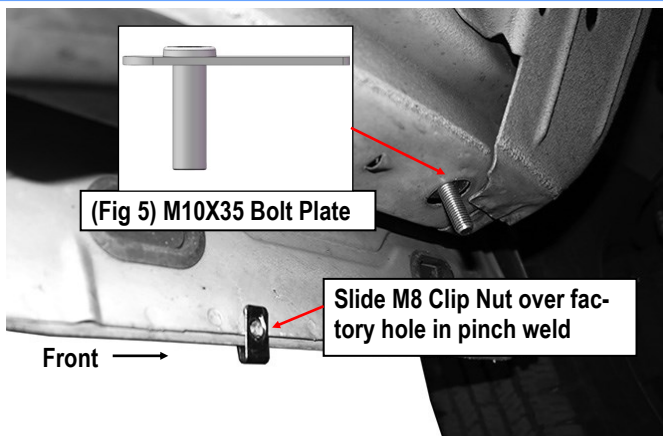


STEP 2

Starting installation from the driver side front of the vehicle. Locate and remove the rubber plug if equipped near the front tire opening, (Fig 4). Select (1) M10X35 Bolt Plate, (Fig 5). Insert the Bolt Plate into and across the opening, (Fig 6).



(Fig 4) Driver Side Front Mounting Location



(Fig 6) M8 Clip Nuts Installed on Driver Side Front Mounting Location

STEP 3

Select the Driver Front Mounting Bracket (DFM). Attach the Bracket to the M10X35 Bolt Plate with (1) M10 Flat Washer, (1) M10 Lock Washer and (1) M10 Hex Nut, (Fig 7). Do not fully tighten hardware at this time.

STEP 4

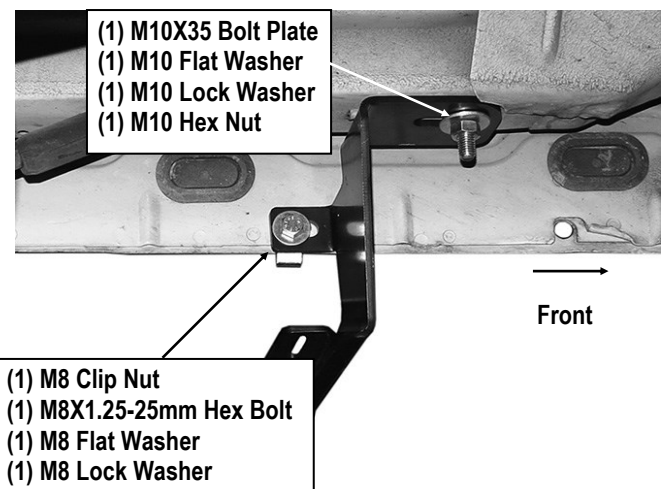
Line up the mounting tab on the Bracket with the factory hole in the pinch weld. Slide (1) M8 Clip Nut over the hole in the pinch weld with the nut toward the outside of the vehicle, (Fig 6).

IMPORTANT: On some model/years, 5/16" holes will need to be drilled through the pinch weld to attach the tab on the Mounting Bracket to the pinch weld.

- Line up the tab on the Bracket with a flat area on the back of the pinch weld.
- Fully tighten the M10 Hex Nut on the M10X35 Bolt Plate. Use the tab on the Bracket for a guide and drill a 5/16" hole through the tab and the pinch weld. **IMPORTANT!** Any cutting or drilling tool may break or shatter. Government regulations require safety glasses & equipment at all times when cutting or drilling.
- Slide (1) M8 Clip Nut over the hole in the pinch weld with the nut toward the outside.

STEP 5

Attach the mounting tab on the Bracket to the M8 Clip Nut with (1) M8X1.25-25mm Hex Bolt, (1) M8 Lock Washer and (1) M8 Flat Washer, (Fig 7). Do not fully tighten the hardware.



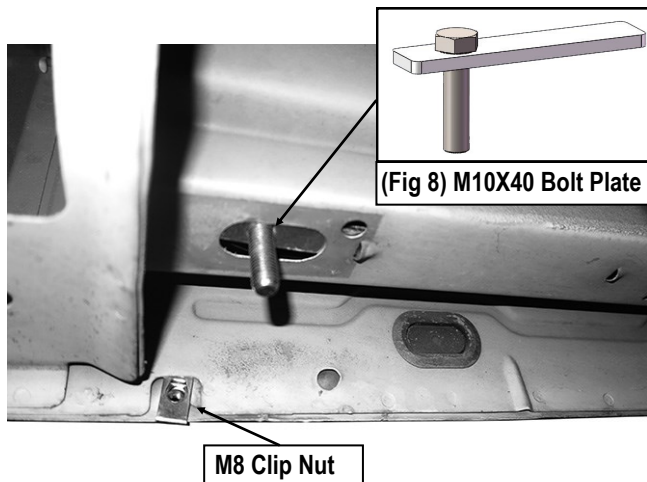
(Fig 7) Driver Front Mounting Bracket (DFM) Installation



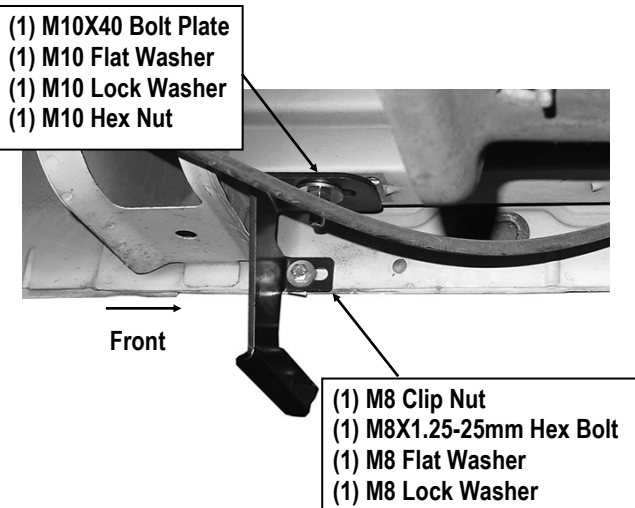
STEP 6

Move to the driver side rear of the vehicle, (Fig 9). Locate and remove the large oval rubber plug. Insert (1) M10X40 Bolt Plate into the opening, (Figs 8 & 9).

Attach the Driver Rear Mounting Bracket (DRM) to the M10X40 Bolt Plate with (1) M10 Flat Washer, (1) M10 Lock Washer and (1) M10 Hex Nut, (Fig 10). Repeat Steps 4 & 5 to attach the mounting tab on the Bracket to the back of the pinch weld (Fig 10).



(Fig 9) Driver Side Rear Mounting Location



(Fig 10) Driver Rear Mounting Bracket (DRM) Installation

STEP 7

Once all (2) Driver side mounting brackets are installed, then proceed to the Step Bar installation. (Figs 11 & 12)

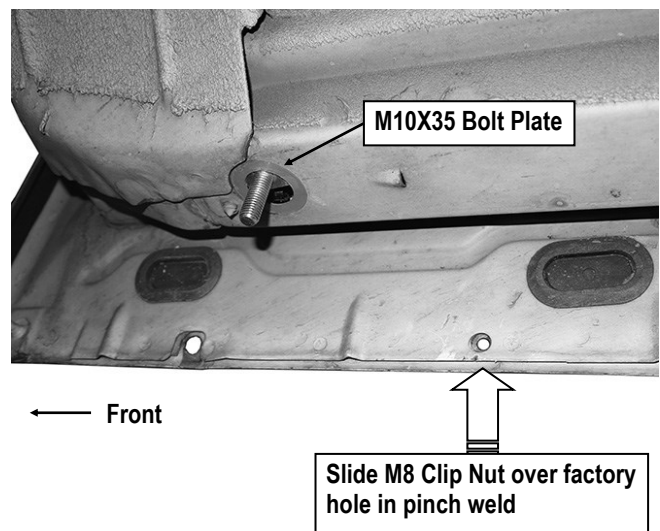
- (1) Select (1) Slider and (2) M8X1.25-35mm Carriage Bolts;
- (2) Install (2) M8X1.25-35mm Carriage Bolts in (1) Slider.
- (3) Slide the Slider (with carriage bolts) to the Step Bar.
- (4) Repeat to install the other (1) slider to the step bar.
- (5) Attach the Step Bar (with the Sliders) onto the installed mounting brackets. Position the Sliders to the installed brackets. Secure the Step Bar to the installed Brackets by using (4) M8 Large Flat Washers and (4) M8 Nylon Lock Nuts and (2) Sliders, (Fig 12). Do not fully tighten hardware at this time.

Note: The Sliders are packed with the Step Bars.

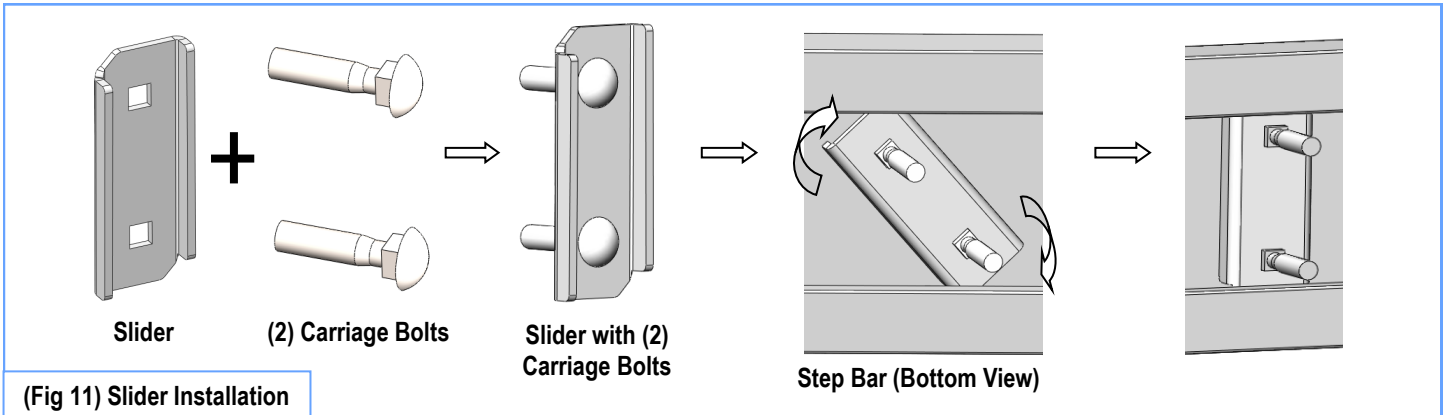
STEP 8

Move to the passenger side of the vehicle.

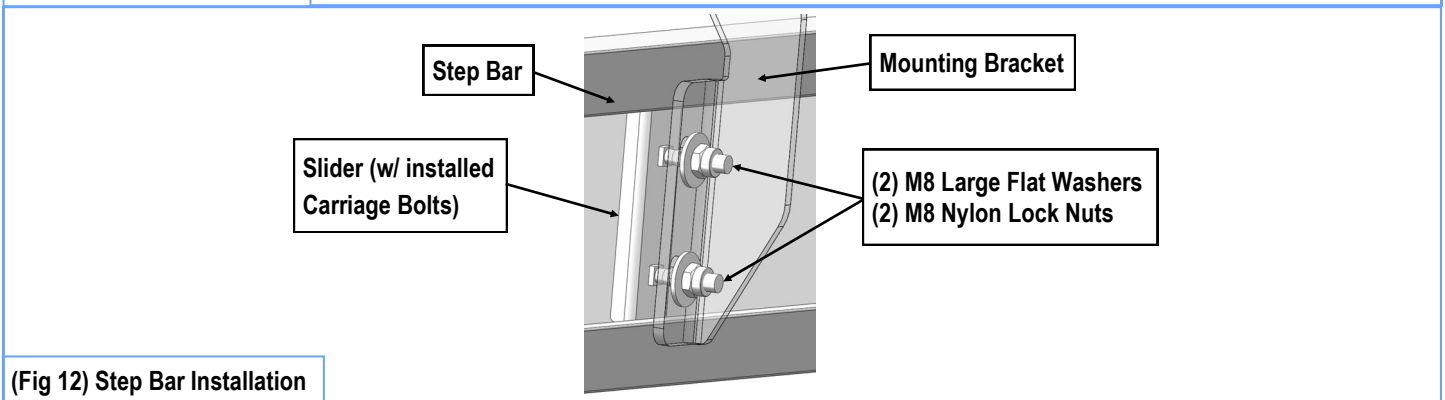
Start installation from the passenger side front of the vehicle, (Fig 13). Repeat Steps 2—5 to install the Passenger Front Mounting Bracket (PFM), (Fig 14). Do not fully tighten hardware at this time.



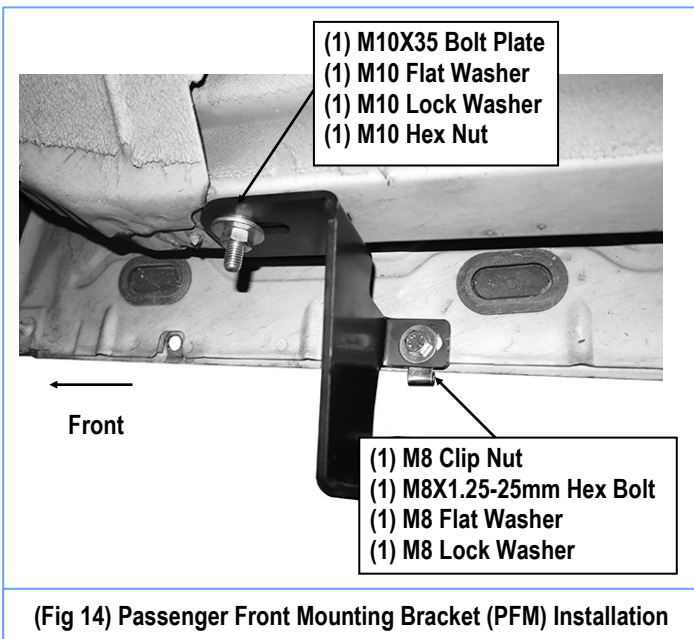
(Fig 13) Passenger Front Mounting Bracket (PFM) Locations



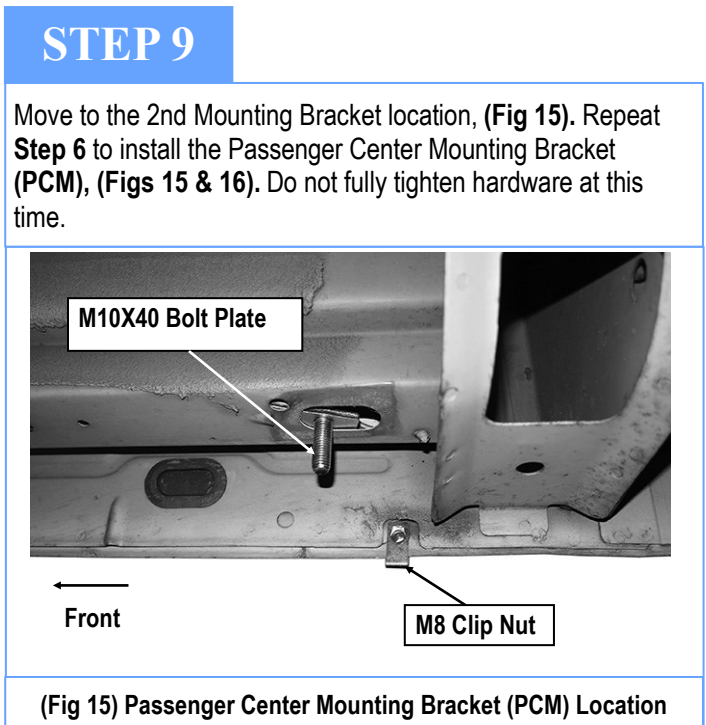
(Fig 11) Slider Installation

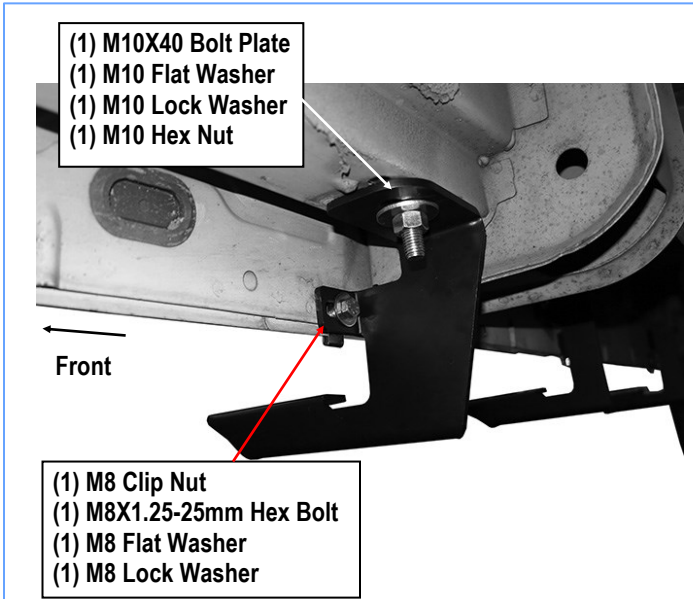


(Fig 12) Step Bar Installation



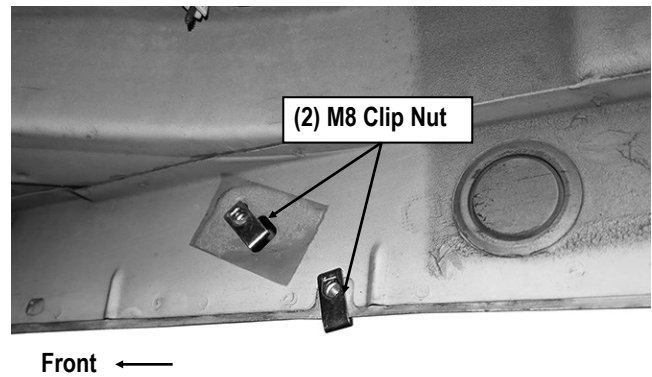
(Fig 14) Passenger Front Mounting Bracket (PFM) Installation





(Fig 16) Passenger Center Mounting Bracket (PCM) Installation

- ets (PRM), (Figs 19-21). Note: 4th location and 5th location all use Passenger Rear Mounting Bracket (PRM).
- e. Skip to **Step 11**.



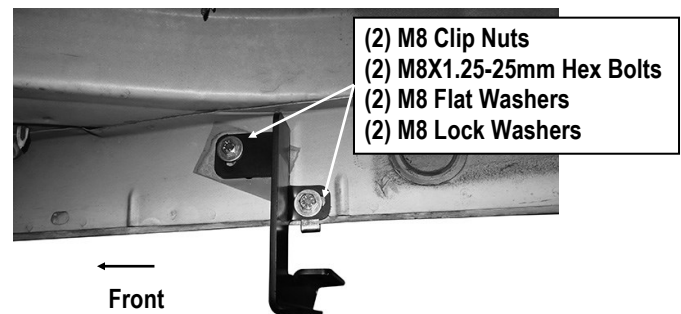
(Fig 17) Passenger 3rd Mounting Bracket Location

STEP 10

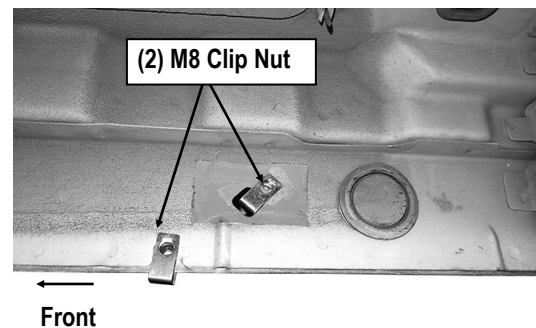
Move along the body to the 3rd Bracket location below the side door, (Fig 17). Determine the correct procedure for your year/model for the remaining (3) passenger side Brackets:

Models with factory holes in pinch weld and inner body panel:

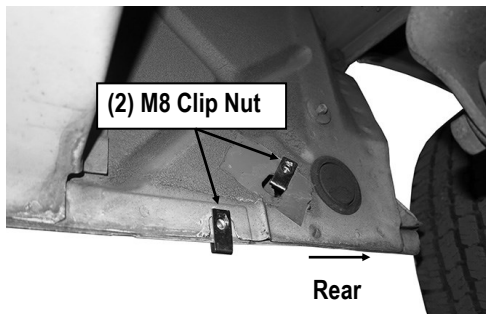
- Locate the factory hole in the pinch weld. Also locate the square hole and small round hole in the inner body panel near and above the hole in the pinch weld, (Fig 17). **NOTE:** Hold the appropriate Mounting Bracket up in each location to help determine the correct holes to use.
- Slide (1) M8 Clip Nut into the square hole and in line with the smaller round hole. Next, slide (1) M8 Clip Nut over the hole through the pinch weld as described in **Step 3**, (Fig 17).
- Select the Passenger Center 1 Mounting Bracket (PCM1). Attach the Bracket to the (2) M8 Clip Nuts with (2) M8X1.25-25mm Hex Bolts, (2) M8 Lock Washers and (2) M8 Flat Washers, (Fig 18). Do not fully tighten hardware at this time.
- Move to 4th and 5th mounting bracket locations. Repeat **Steps a—c** to install the Passenger Rear Mounting Bracket (PRM), (Figs 19-21).



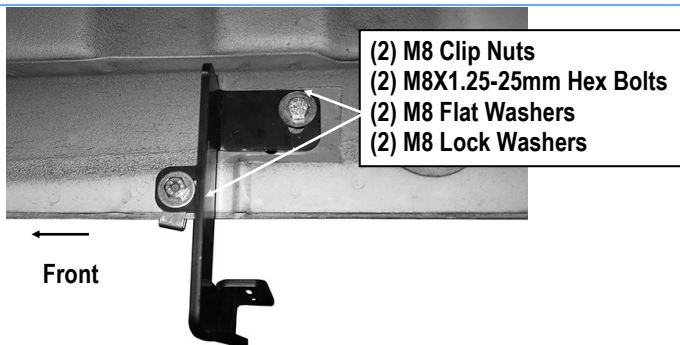
(Fig 18) Passenger Center 1 Mounting Bracket (PCM1) Installation



(Fig 19) Passenger 4th Mounting Bracket Location



(Fig 20) Passenger 5th Mounting Bracket Location



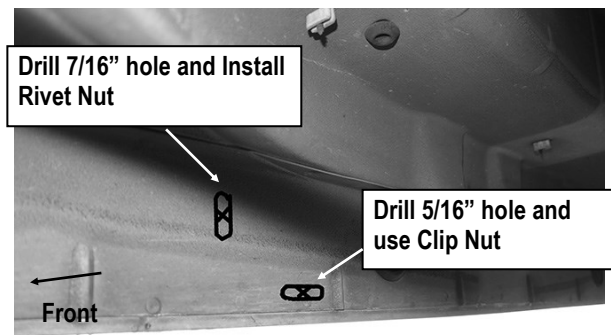
(Fig 21) Passenger 4th & 5th Mounting Bracket Installation

Models without factory holes in the pinch weld and/or inner body panel:

- Repeat **Step 10** to attach the Step Bar to the front and 2nd Mounting Brackets.
- Use a stand or a jack to hold the Step Bar up and level with the front (2) Brackets.
- Select the 3rd Passenger Center 1 Mounting Bracket (**PCM1**). With the Step Bar level to the vehicle, hold the Bracket up in position against the back of the pinch weld and body panel. Mark the location of the slots in the Bracket onto the sheet metal, (**Fig 22**). **NOTE:** Use a clamp or locking pliers to temporarily attach the Bracket to the pinch weld.
- Drill a 7/16" hole in the center of the mark for the top mounting tab, (**Fig 22**). **IMPORTANT:** Make sure the Step Bar is level to the vehicle before drilling any mounting holes.
- Select (1) M8 Insert Installation Tool, (1) M8X1.25-40mm Hex Bolt, (1) M8 Flat Washer and (1) M8 Rivet Nut. As-

semble the Insert as pictured in **Fig 24&25**. **NOTE:** Select 8 mm hole on Insert Installation Tool (**Fig 23**).

- Firmly hold the handle and push the Rivet Nut into the hole. Use a small hammer to gently tap the insert into the hole if necessary. Once inserted, hold the handle with one hand and turn the M8 Hex Bolt, (tighten), with a wrench to expand the Rivet Nut in the body panel. Continue to tighten the M8 Hex Bolt until the Rivet Nut is fully compressed and close to flush with the surface. Remove bolt and tool from the Rivet Nut, (**Fig 25**). **WARNING:** Do not over tighten the hex bolt or the Rivet Nut may become damaged.
- Repeat **Step 3** to drill the 5/16" hole through the pinch weld as needed.
- Select the passenger side 3rd Mounting Bracket. Attach the Bracket to the M8 Rivet Nut and M8 Clip Nut with (2) M8X1.25-25mm Hex Bolts, (2) M8 Lock Washers and (2) M8 Flat Washers, (**Fig 26**). Do not fully tighten hardware at this time.
- Repeat **Steps a—h** to install the identical 4th and 5th Brackets, (**Figs 27-29**).



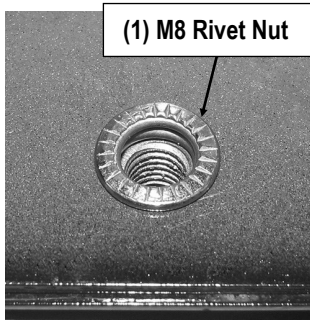
(Fig 22) Passenger 3rd Mounting Bracket Location



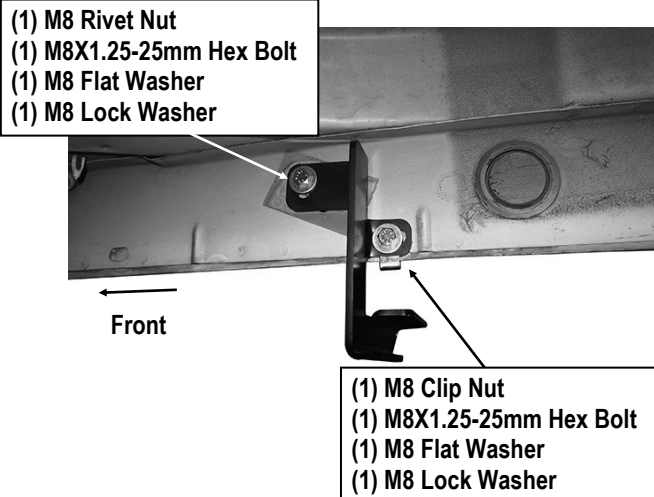
Fig 23



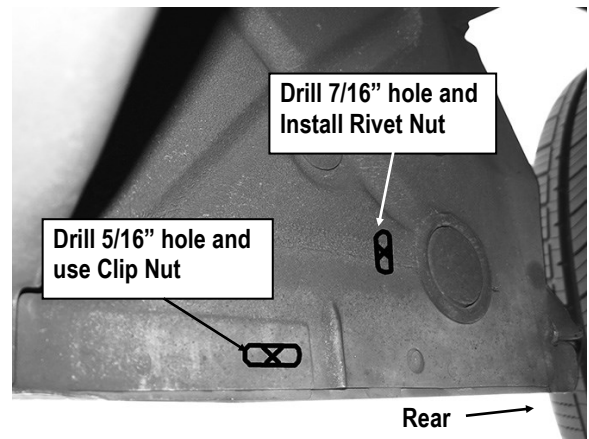
(Fig 24) Assemble Insert Tool



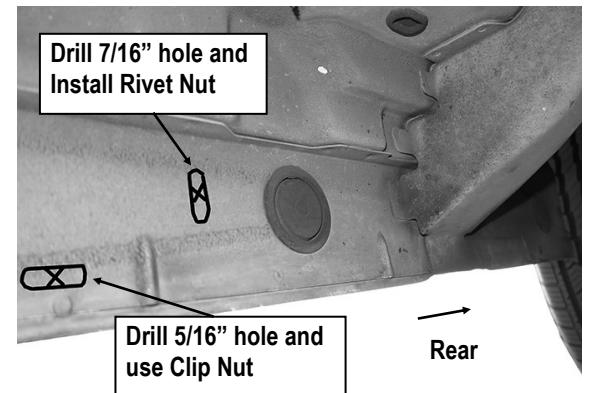
(Fig 25) Example Fully Installed Insert



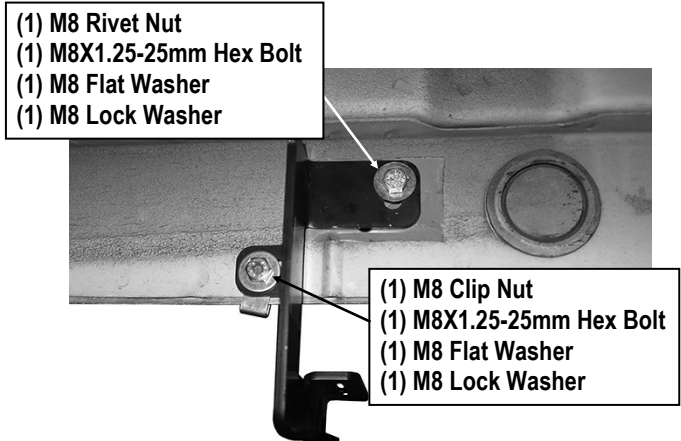
(Fig 26) Passenger 3rd Mounting Bracket Installation



(Fig 27) Passenger 4th Mounting Bracket Location



(Fig 28) Passenger 5th Mounting Bracket Location



(Fig 29) Passenger 4th & 5th Mounting Bracket Installation



STEP 11

Select the Passenger Side Step Bar. Repeat **Step 7** to attach the Step Bar to the Mounting Brackets.

STEP 12

Level and adjust the Step Bar and fully tighten all hardware.

Installation completed.

Attention

**Do periodic inspections to the installation to make sure that all hardware is secure and tight.
In order to protect your bars/boards, please use mild soap/non-abrasive products for cleaning only.**