

iBoard®



Scan for
Installation Video

iBoard® by APS

PART#: IB-176C&H

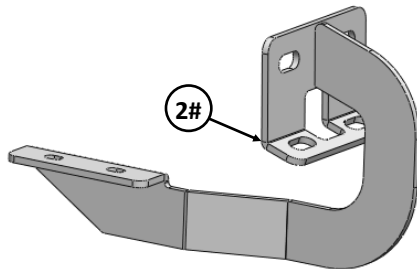
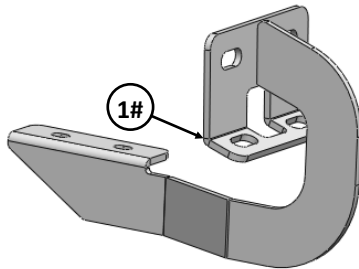
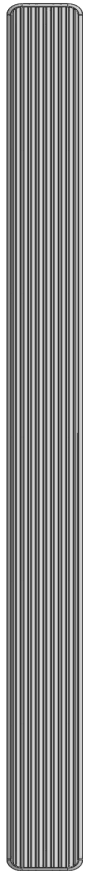
READ INSTRUCTIONS CAREFULLY BEFORE STARTING INSTALLATION. REMOVE CONTENTS FROM BOX AND VERIFY ALL PARTS ARE PRESENT. ASSISTANCE IS RECOMMENDED.

*ROCKER PANEL MOUNT
*NO DRILLING REQUIRED

Fastener Size	Tightening Torque (ft-lbs)	Required
6mm	6-7	X
8mm	16-18	√
10mm	31-32	X
12mm	56-58	X
14mm	92-94	X

PART LIST

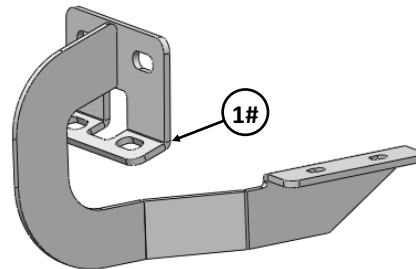
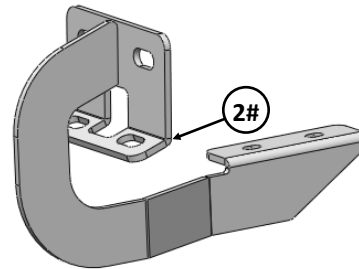
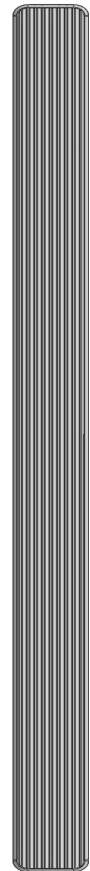
Driver Side Step Bar



Front



Passenger Side Step Bar



Customer Support: info@iboardauto.com



Mounting Bracket List					
Item	QTY	Description	Item	QTY	Description
1#	2	Driver Front / Passenger Rear Mounting Brackets	2#	2	Passenger Front / Driver Rear Mounting Brackets

Hardware Package A (For Bracket Installation)					
Item	QTY	Description	Item	QTY	Description
1#	8	M8X1.25-30mm Hex Bolts	5#	16	M8 Lock Washers
2#	8	M8X1.25-25mm Hex Bolts	6#	8	M8 Hex Nuts
3#	16	M8 Flat Washers	7#	8	M8 Clip Nuts
4#	8	M8 Large Flat Washers			

1#

2#

3#

4#

5#

6#

7#

Hardware Package B (For Stainless Steel Step Bar Installation)					
Item	QTY	Description	Item	QTY	Description
1#	8	M8X1.25-35mm Carriage Bolts	3#	8	M8 Nylon Lock Nuts
2#	8	M8 Large Flat Washers	4#	4	Sliders (Packed with Step Bars)

1 #

2 #

3 #

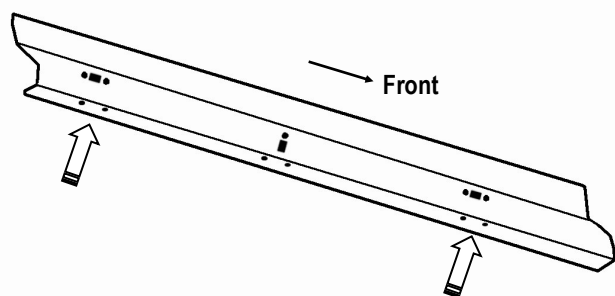
4 #



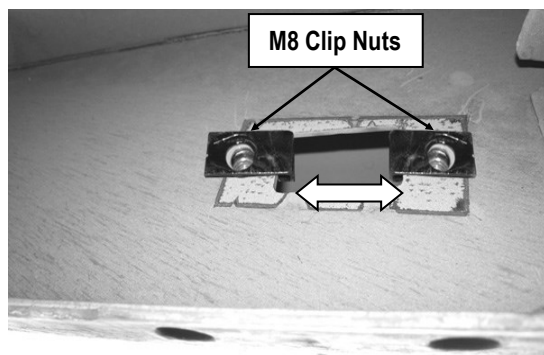
STEP 1

Starting on the driver side front of the vehicle, locate the (2) holes on pinch weld, (**Fig 1**). Next locate the rectangular opening and (2) small holes on the inner side of the body panel directly above the holes on the pinch weld, (**Fig 1 & 2**).

NOTE: The holes on the inner of the body panel may be covered with sealing tape or insulation.



(Fig 1) Driver Side Mounting Locations



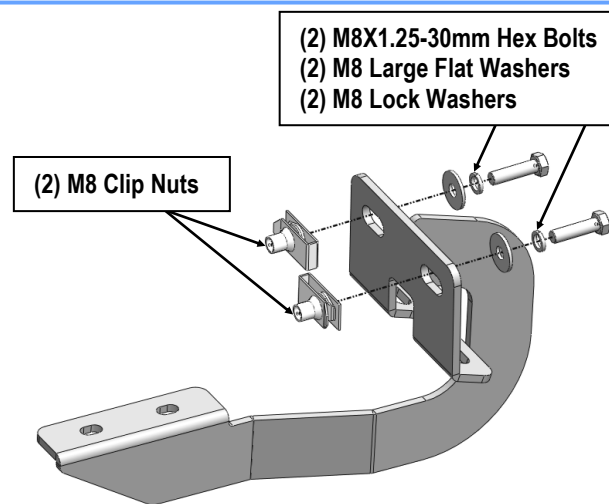
(Fig 2) Slide M8 Clip Nuts Over Holes

STEP 2

Slide (1) M8 Clip Nut into the rectangular opening with the nut towards the inside. Line up the threaded nut on the clip with the round hole, (**Fig 2**). Repeat to install another M8 Clip Nut in remaining round hole.

STEP 3

Select (1) Driver Front Mounting Bracket. Attach the Bracket to the installed (2) M8 Clip Nuts with the included (2) M8x1.25-30mm Hex Bolts, (2) M8 Lock Washers and (2) M8 Large Flat Washers, (**Fig 3**). Do not fully tighten hardware at this time.



(Fig 3) Driver Front Mounting Bracket Installed to Body Panel

STEP 4

Align the lower holes on the Mounting Bracket with the (2) holes on the pinch weld. Attach the Mounting Bracket to the pinch weld with (2) M8x1.25-25mm Hex Bolts, (4) M8 Flat Washers, (2) M8 Lock Washers and (2) M8 Hex Nuts, (**Fig 4 & 5**). Do not fully tighten hardware at this time.

NOTE: Insert the bolt up from the bottom of the pinch weld and through the Bracket.

STEP 5

Move to Driver Side Rear Mounting Location. Repeat **Steps 1-4** for Driver Rear Mounting Bracket installation. Do not fully tighten hardware at this time.



STEP 6

Once all (2) Driver side mounting brackets are installed, then proceed to the Step Bar installation. (**Figs 6 & 7**)

- (1) Select (1) Slider and (2) M8X1.25-35mm Carriage Bolts;
- (2) Install (2) M8X1.25-35mm Carriage Bolts in (1) Slider.
- (3) Slide the Slider (with carriage bolts) to the **Step Bar**.
- (4) Repeat to install the other (1) slider to the step bar.
- (5) Attach the Step Bar (with the Sliders) onto the installed mounting brackets. Position the Sliders to the installed brackets. Secure the Step Bar to the installed Brackets by using (4) M8 Large Flat Washers and (4) M8 Nylon Lock Nuts and (2) Sliders, (**Fig 7**). Do not fully tighten hardware at this time.

Note: The Sliders are packed with the Step Bars.

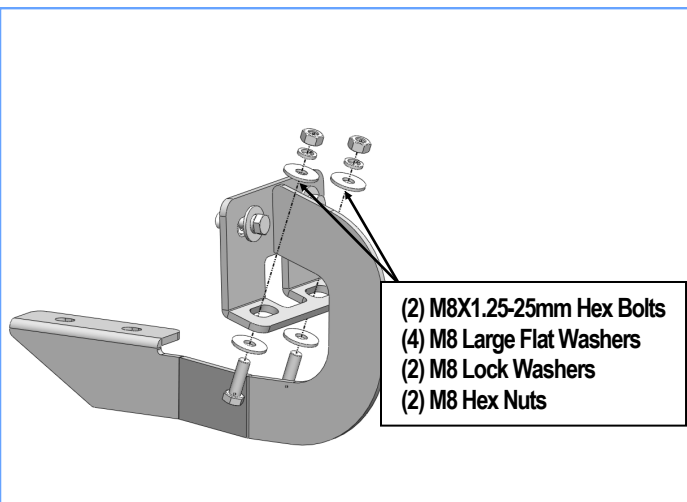
Level and adjust the Step Bar and fully tighten all hardware.

Repeat **Steps 1-6** for the other side Step Bar installation. **The installation is completed!!!**

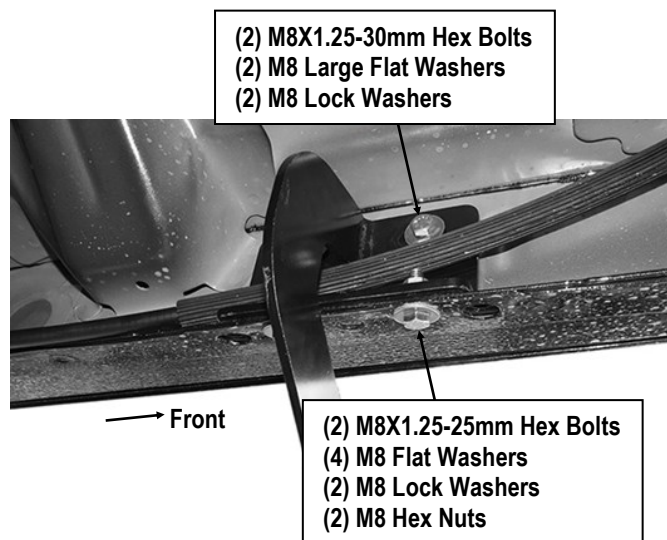
Attention

Do periodic inspections to the installation to make sure that all hardware is secure and tight.

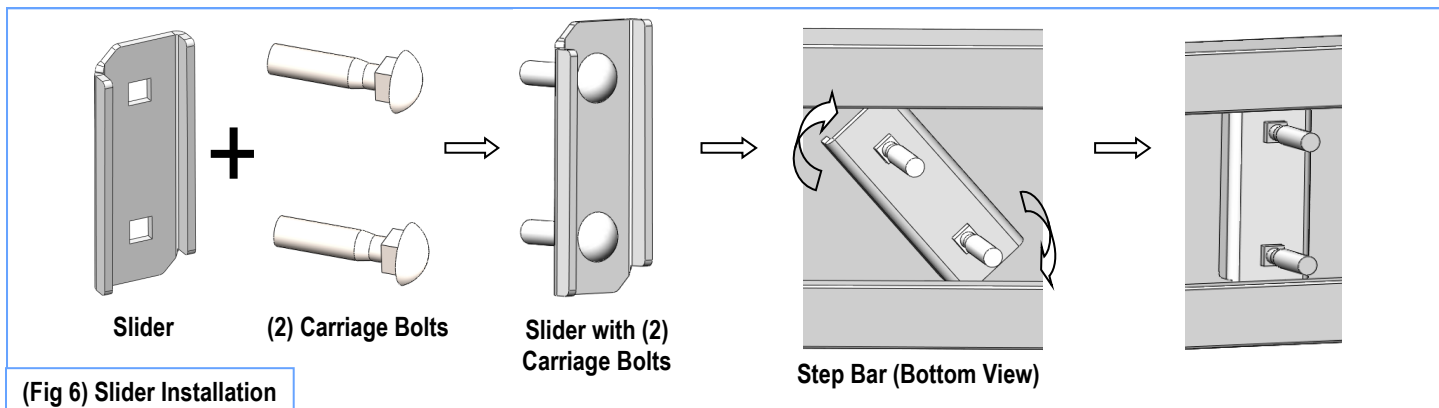
In order to protect your bars/boards, please use mild soap/non-abrasive products for cleaning only.



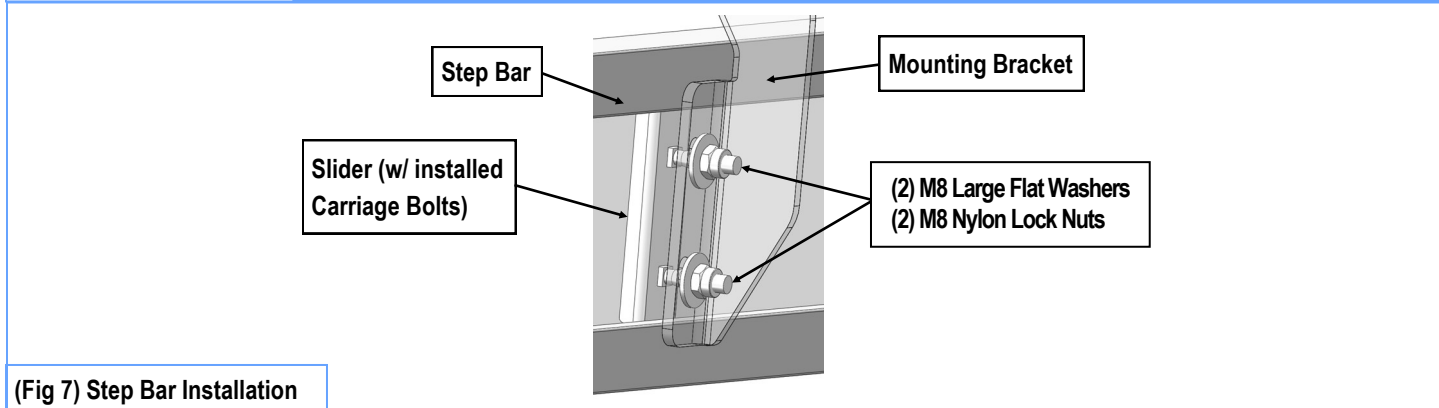
(Fig 4) Driver Front Mounting Bracket Installed to Pinch Weld



(Fig 5) Driver Front Mounting Bracket Installation



(Fig 6) Slider Installation



(Fig 7) Step Bar Installation