

iBoard®

iBoard® by APS

PART#: IB-151

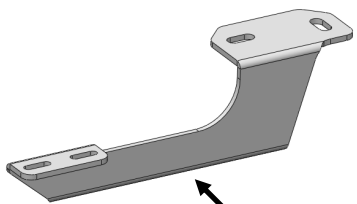
READ INSTRUCTIONS CAREFULLY BEFORE STARTING INSTALLATION. REMOVE CONTENTS FROM BOX AND VERIFY ALL PARTS ARE PRESENT. ASSISTANCE IS RECOMMENDED.

*BODY FRAME MOUNT
*NO DRILLING REQUIRED/ CUTTING IS REQUIRED

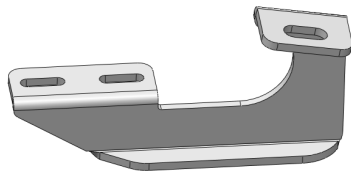
Fastener Size	Tightening Torque (ft-lbs)	Required
6mm	6-7	√
8mm	16-18	X
10mm	31-32	√
12mm	56-58	X
14mm	92-94	X

PART LIST

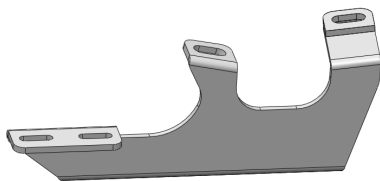
Front
↑



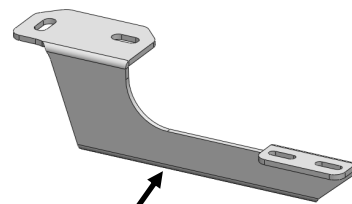
Driver Front Mounting Bracket (DFM)



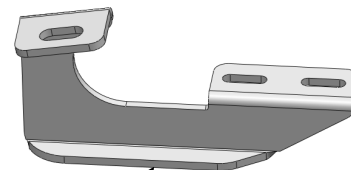
Driver Center Mounting Bracket (DCM)



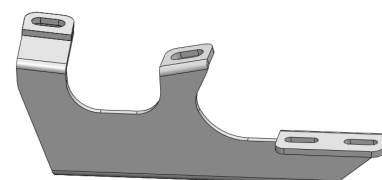
Driver Rear Mounting Bracket (DRM)



Passenger Front Mounting Bracket (PFM)



Passenger Center Mounting Bracket (PCM)



Passenger Rear Mounting Bracket (PRM)



Customer Support: info@iboardauto.com

iBoard®

Hardware Package A (For Bracket Installation)



Hardware Package B (For Aluminum Step Bar Installation Only, Not Supply to Stainless Steel Step Bar)



Hardware Package C (For Stainless Steel Step Bar Installation Only, Not Supply to Aluminum Step Bar)



iBoard®

STEP 1

Start installation from the driver side front of the vehicle.

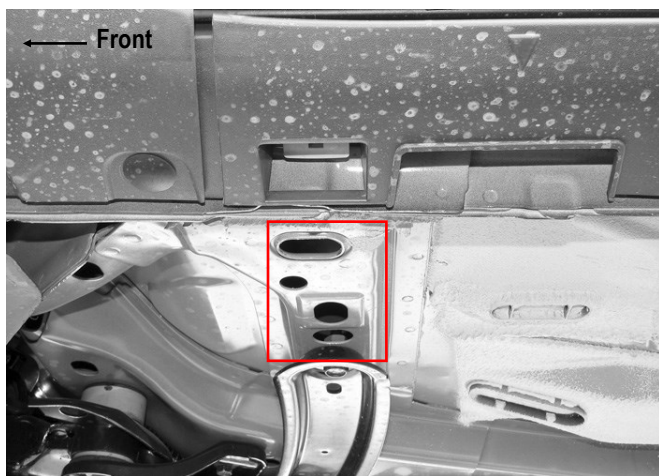
NOTE: To help determine the correct mounting holes, hold the Front Mounting Bracket up in position against the floor panel and line up the Bracket with the correct holes, (Fig 1).

A. Driver side front Bracket installation:

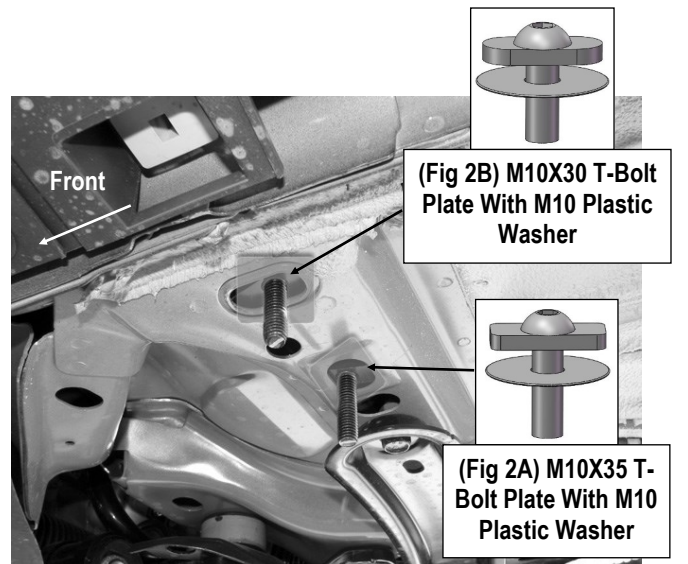
Select (1) M10X35 T-Bolt Plate and (1) M10 Plastic Washer, (Fig 2A). Partially thread the M10 Plastic Washer onto the T-Bolt. Insert the M10x35 T-Bolt into the inner factory oval hole. Rotate the T-Bolt 90-degrees so that the plate is across the slot. Thread the Plastic Washer down until it is tight against the floor panel. The Plastic Washer is designed to help hold the T-Bolt in place during Bracket installation, (Fig 2A & 2). Next, insert (1) M10X30 T-Bolt Plate with (1) M10 Plastic Washer into the outer oval hole in the floor panel next to the pinch weld as previously described, (Fig 2B & 2).

B. Passenger side front Bracket installation:

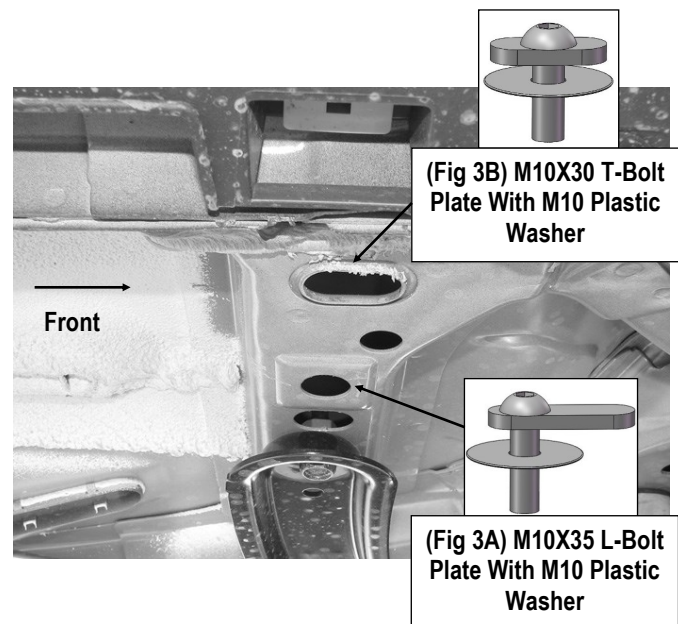
IMPORTANT: Repeat the previous **Step 1A** for passenger side Bracket installation but note that the inner mounting tab on the front Bracket will use (1) M10X35 L-Bolt Plate inserted into a round hole instead of the M10X35 T-Bolt Plate, (Figs 3, 3A & 3B).



(Fig 1) Driver Side Front Mounting Location



(Fig 2) M10 T- Bolt Plates Installed
(On Driver Side Front Mounting Location)

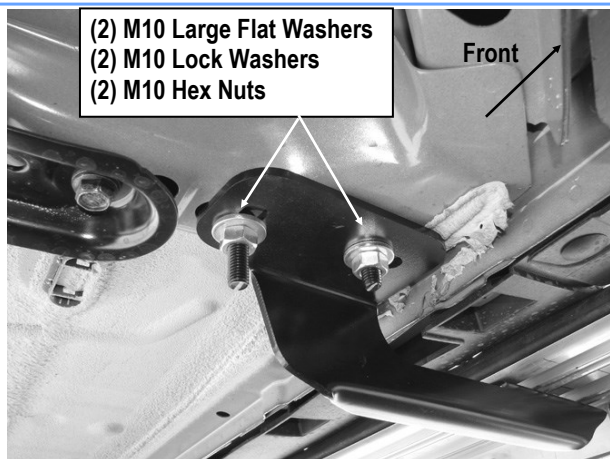


(Fig 3) Passenger Side Front Mounting Location

iBoard®

STEP 2

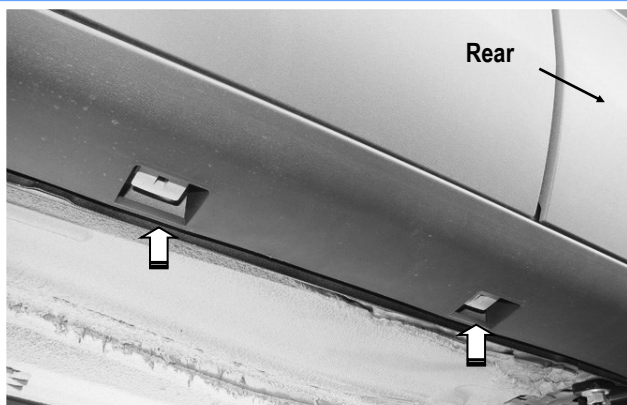
Attach (1) Driver Front Mounting Bracket (**DFM**) to the installed T-Bolts with (2) M10 Large Flat Washers, (2) M10 Lock Washers and (2) M10 Hex Nuts, (**Fig 4**). Do not fully tighten hardware at this time.



(Fig 4) Driver Front Mounting Bracket Installed

STEP 3

Release the plastic clips holding the lower plastic rocker panel cover to the bottom of the body on Driver Side (**Fig 5**).



(Fig 5) Release All Clips Along Bottom Of Rocker Panel Cover (On Driver Side)

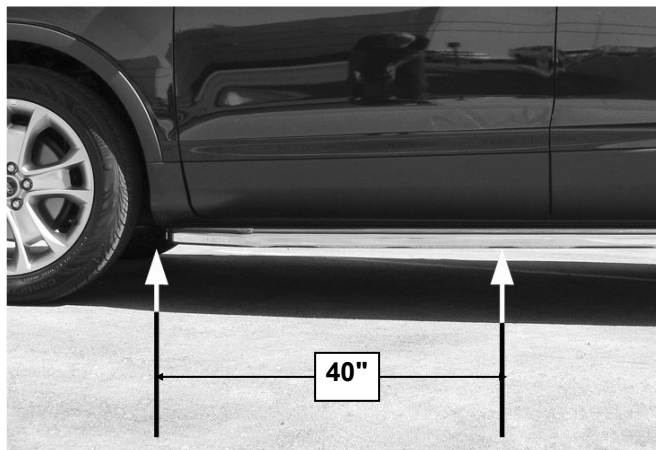
STEP 4

Measure 40" back from the bottom corner of the wheel opening to locate the correct factory hole under the plastic rocker cover for the center Bracket, (**Fig 6**).

Pull plastic cover out to access the hole, partially thread (1) M10 Plastic Washer onto (1) M10X35 L-Bolt Plate, (**Fig 7 & 7A**). Insert the Bolt Plate into the round hole and thread the Plastic Washer down tight against the body, (**Fig 7**).

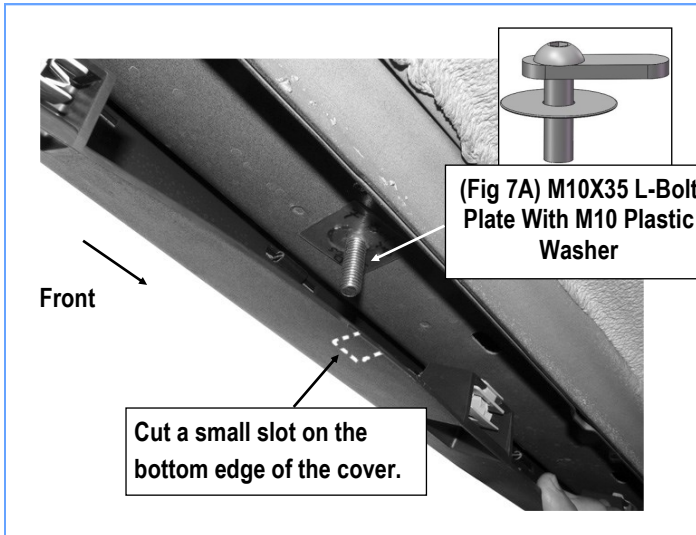
NOTE: Insert the Driver Center Mounting Bracket into the approximate position.

Mark the Bracket location on the bottom edge of the plastic cover, (**Fig 7**). Cut a small slot in the bottom edge of the cover to clear the Bracket. Bolt the Bracket to the M10X35 L-Bolt Plate with (1) M10 Large Flat Washer, (1) M10 Lock Washer and (1) M10 Hex Nut, (**Fig 8**). Do not fully tighten hardware at this time.

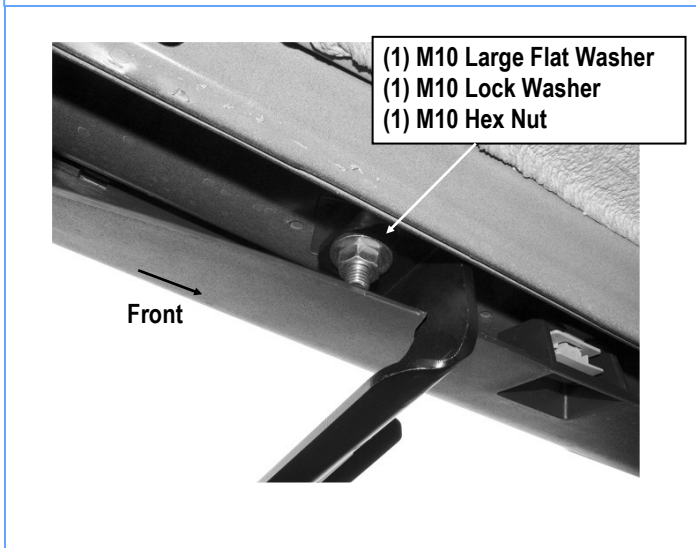


(Fig 6) Measure Approximately 40" From Bottom Corner Of Wheel Opening Along Rocker Panel To Locate Factory Hole (For the Driver Center Mounting Bracket)

iBoard®



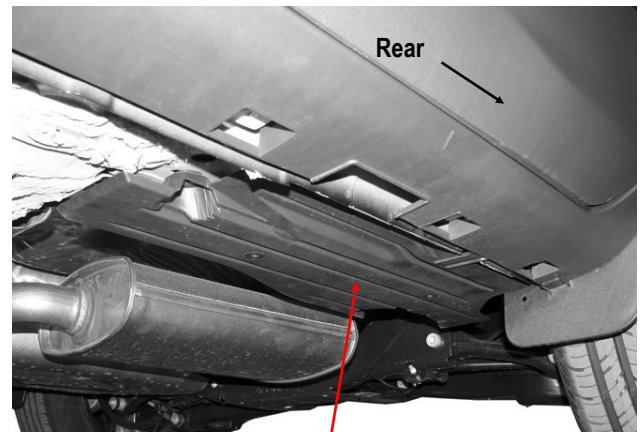
(Fig 7) Driver Side Center Mounting Location



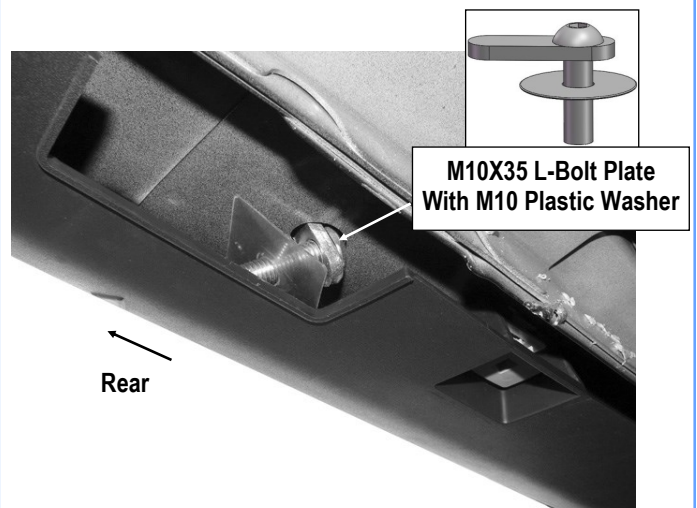
(Fig 8) Driver Center Mounting Bracket Installed

STEP 5

Move to the rear location and remove the plastic cover on the floor panel, (Fig 9). Locate the small round hole under the plastic rocker cover. Select (1) M10X35 L-Bolt Plate with (1) M10 Plastic Washer. Insert the Bolt Plate into the round hole as described in Step 4, (Fig 10).



(Fig 9) Remove Plastic Cover
(On Driver Side Rear Mounting Location)



(Fig 10) Driver Side Rear Mounting Location

STEP 6

Next, locate the large round hole in the floor panel. Insert (1) M10X35 Bolt Plate into the large round hole and out the smaller hole toward the front, (Fig 11 & 11A). Next, slide the Driver Rear Mounting Bracket (DRM) under the plastic rocker cover and over the (2) Bolt Plates. Secure the Bracket to the M10 Bolt Plates with (2) M10 Large Flat Washers, (2) M10 Lock Washers and (2) M10 Hex Nuts (Fig 12). Do not fully tighten hardware at this time.

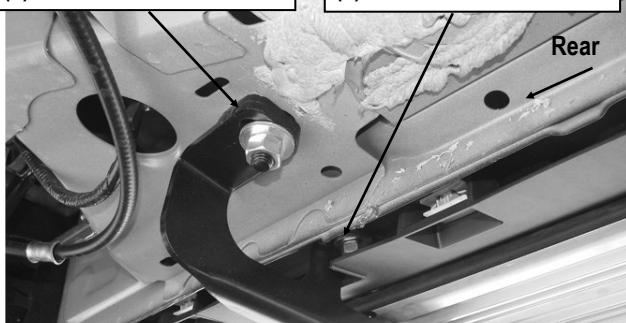
iBoard®



(Fig 11) Insert 10mm Bolt Plate Installation (On Driver Side Rear Mounting Location)

- (1) M10X35 Bolt Plate
- (1) M10 Plastic Washer
- (1) M10 Large Flat Washer
- (1) M10 Lock Washer
- (1) M10 Hex Nut

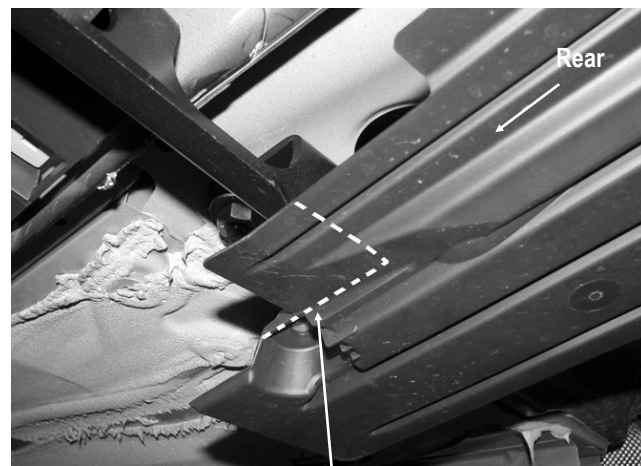
- (1) M10X35 L-Bolt Plate
- (1) M10 Plastic Washer
- (1) M10 Large Flat Washer
- (1) M10 Lock Washer
- (1) M10 Hex Nut



(Fig 12) Driver Rear Mounting Bracket Installed

STEP 7

Hold the plastic cover removed in **Step 5**, up in position. Trace the location of the Rear Bracket onto the cover, **(Fig 13)**. Carefully cut the plastic cover to clear the Bracket, **(Fig 14 & 15)**. **IMPORTANT:** Cut as little as possible from the cover. Do not cut off the mounting area for the factory hardware. Reinstall the plastic cover and all plastic clips holding the bottom of the rocker cover to the body panel.



(Fig 13) Hold Plastic Cover back to the Position, Mark the Trimming Area

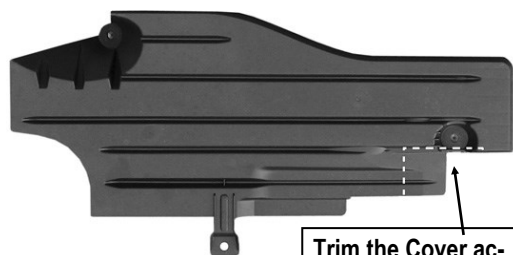


Fig 14

Trim the Cover according to the Mark

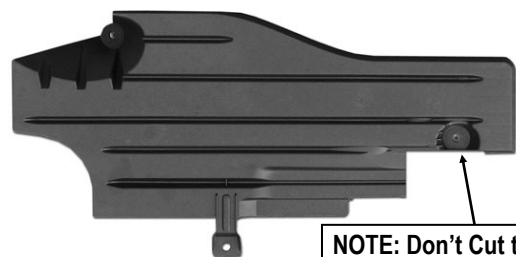


Fig 15

NOTE: Don't Cut the Mounting Area

STEP 8

Once all (3) mounting brackets are installed, then proceed to the Step Bar installation. According to the style of Step Bar proceed to the correct installation STEPS. **Note: Aluminum Step Bar refer to STEP 9; Stainless Steel Step Bar skip to STEP 10.**

iBoard®

STEP 9

Aluminum Step Bar Installation:

Select a **Aluminum Step Bar**. Slip (3) M6x1-20mm Square Head Bolts into each bottom channel (**Fig 16**). Carefully position the Step Bar onto the (3) Mounting Brackets.

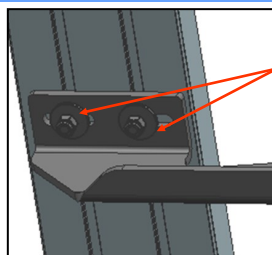
IMPORTANT: Do not slide the Step Bar on the Brackets or the bottom surface of the board will be damaged. Attach the Step Bar to each Mounting Brackets with (2) M6x1-20mm Square Head Bolts, (2) M6 Large Flat Washers and (2) M6 Nylon Lock Nuts, (**Fig 17**). Do not fully tighten at this time.

Level and adjust the Step Bar and fully tighten all hardware. Repeat **Steps 1-9** for the other side Step Bar installation. **The installation is completed!!!**

Note: Hold the Running Board up in approximate position and slide the T-Bolts down to line up with the Mounting Brackets. Tilt the Board up at a slight angle and push back against the vehicle until the T-Bolts fit into the slots on the Brackets. **VERY IMPORTANT:** The front Bracket is very close to the slots in the front-end of the Board for the T-Bolts. Loosen the Front Bracket and push it toward the rear of vehicle so that the Bracket is at a slight angle to clear the slots for the T-Bolts.



(Fig 16) Slip M6X1-20mm Square Head Bolts Into The Bottom Channels



(2) M6X1-20mm Square Head Bolts
(2) M6 Large Flat Washers
(2) M6 Nylon Lock Nuts
IMPORTANT: TORQUE FOR 6MM FASTNERS MUST LESS THAN 6-7 FT-LBS OR THE FASTNERS WILL BE DAMAGED!

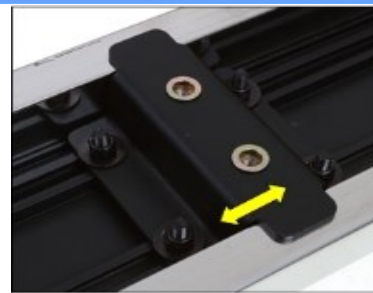
(Fig 17) Running Board Installed Onto Mounting Bracket

STEP 10

Stainless Steel Step Bar Installation:

Select a **Stainless Steel Step Bar** (with the U-Sliders installed on the Bar). Loose the U-Sliders, reposition the U-Sliders onto the board according to the (3) Installed Mounting Brackets location, (**Fig 18**). Re-secure the U-Sliders on the Step Bar. Attach the Step Bar to the installed Mounting Brackets with (6) M6X1-20mm Hex Bolts, (6) M6 Large Flat Washers & (6) M6 Lock Washers, (**Fig 19**). Do not fully tighten hardware at this time.

Level and adjust the Step Bar and fully tighten all hardware. Repeat **Steps 1-8 and 10** for the other side Step Bar installation. **The installation is completed!!!**



(Fig 18) Slide & line up the U-Slider with the installed mounting brackets along bottom channel

(2) M6X1-20mm Hex Bolts
(2) M6 Large Flat Washers
(2) M6 Lock Washers
IMPORTANT: TORQUE FOR 6MM FASTNERS MUST LESS THAN 6-7 FT-LBS OR THE FASTNERS WILL BE DAMAGED!



(Fig 19) Step Bar Installed on Bracket Installed (Example)

Attention

Do periodic inspections to the installation to make sure that all hardware is secure and tight.

In order to protect your bars/boards, please use mild soap/non-abrasive products for cleaning only.