

iBoard®

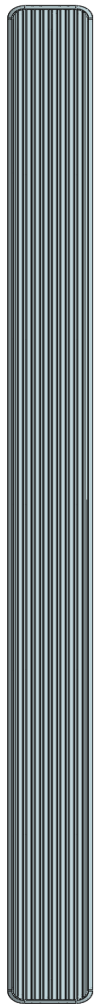
iBoard® by APS

PART#: IB-005

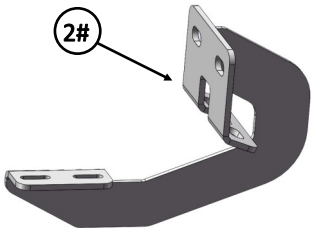
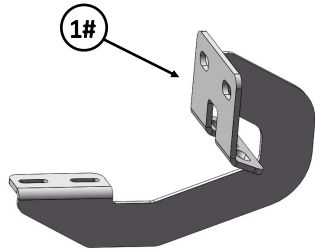
READ INSTRUCTIONS CAREFULLY BEFORE STARTING INSTALLATION. REMOVE CONTENTS FROM BOX AND VERIFY ALL PARTS ARE PRESENT. ASSISTANCE IS RECOMMENDED.

*ROCKER PANEL MOUNT
*NO DRILLING REQUIRED

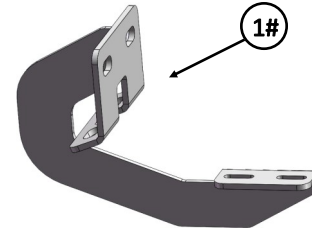
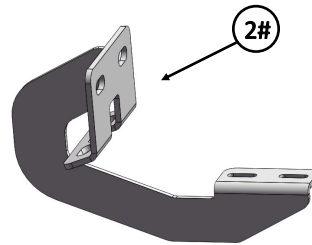
Fastener Size	Tightening Torque (ft-lbs)	Required
6mm	6-7	√
8mm	16-18	√
10mm	31-32	X
12mm	56-58	X
14mm	92-94	X



Driver Side Step Bar



Front
↑

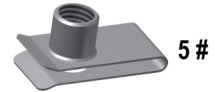
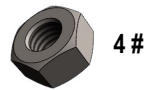


Passenger Side Step Bar

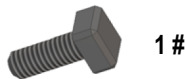
iBoard®

Mounting Bracket List					
Item	QTY	Description	Item	QTY	Description
1#	2	Driver Front / Passenger Rear Mounting Brackets	2#	2	Passenger Front / Driver Rear Mounting Brackets

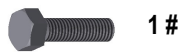
Hardware Package A (For Bracket Installation)					
Item	QTY	Description	Item	QTY	Description
1#	16	M8X1.25-30mm Hex Bolts	4#	8	M8X1.25 Hex Nuts
2#	24	M8 Flat Washers	5#	8	M8 Clip Nuts
3#	16	M8 Lock Washers			



Hardware Package B (For Aluminum Step Bar Installation Only, Not Supply to SS. Step Bar)					
Item	QTY	Description	Item	QTY	Description
1#	8	M6X1-20mm Square Head Bolts	3#	8	M6X1 Nylon Lock Nuts
2#	8	M6 Large Flat Washers			



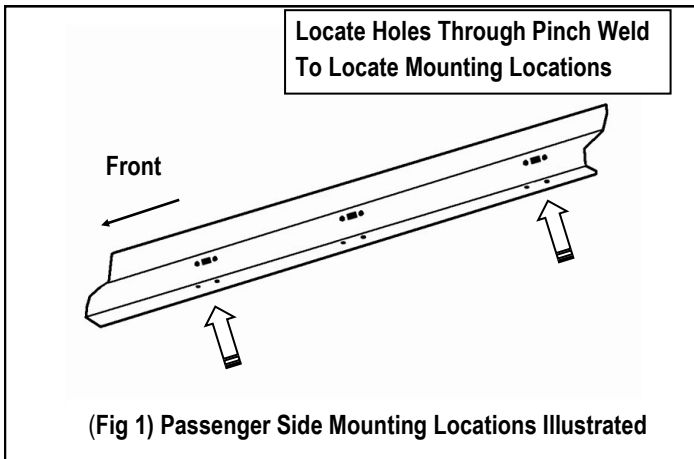
Hardware Package C (For Stainless Steel Step Bar Installation Only, Not Supply to Aluminum Step Bar)					
Item	QTY	Description	Item	QTY	Description
1#	8	M6X1-20mm Hex Bolts	3#	8	M6 Flat Washers
2#	8	M6 Lock Washers			



iBoard®

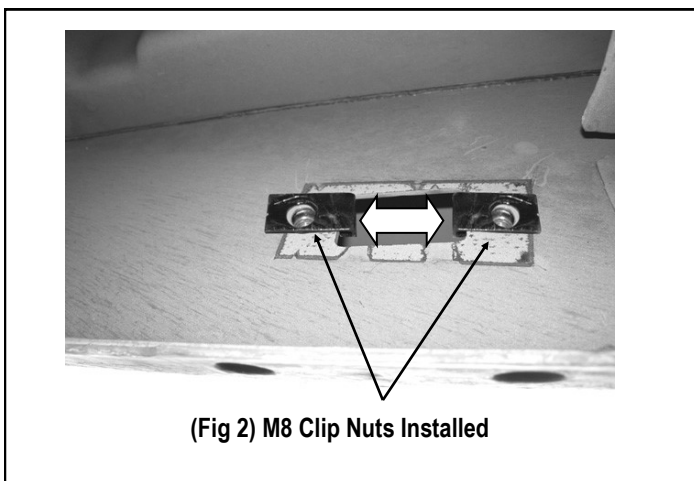
STEP 1

Starting installation on the passenger side of the vehicle, locate the (2) holes in the bottom of the body panel, (pinch weld), Next, locate the rectangular opening with (2) small holes on side along the inner of body panel above the holes in the pinch weld, (Fig 1 & 2). **NOTE:** The holes on the inner of body panel may be covered with sealing tape or insulation.



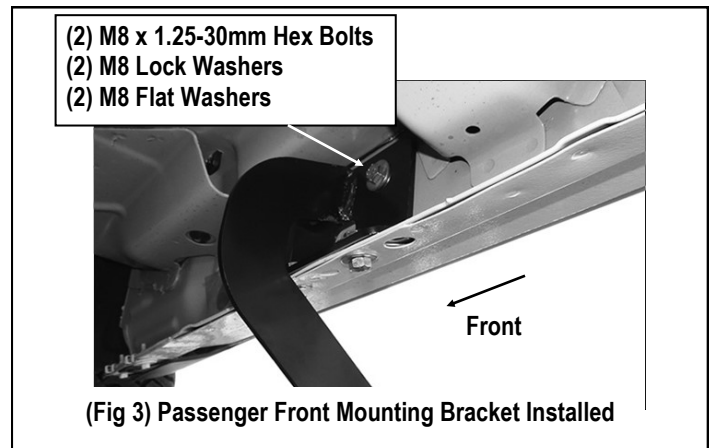
STEP 2

Start installation from the Passenger Side Front Mounting Location. Slide (2) M8 Clip Nuts into the rectangular opening with the nut towards the inside. Line up the threaded nut on the clip nut with the round hole, (Fig 2).



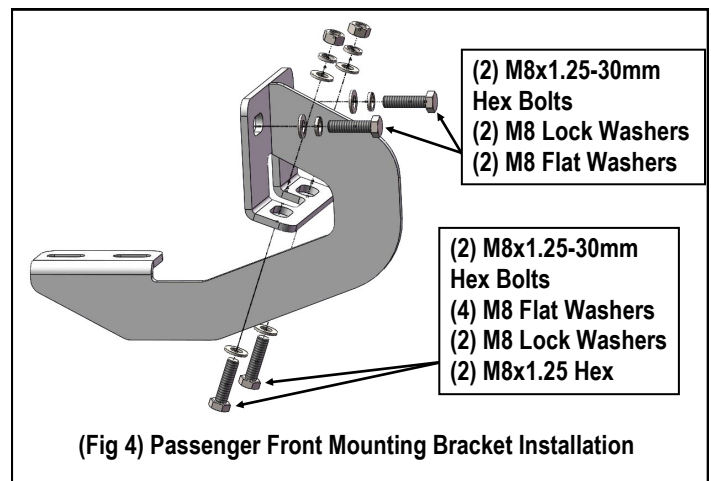
STEP 3

Select (1) Passenger Front Mounting Bracket, attach the Mounting Bracket to the installed (2) M8 Clip Nuts with the included (2) M8 x 1.25-30mm Hex Bolts, (2) M8 Lock Washers and (2) M8 Flat Washers, (Figs 3 & 4). Do not fully tighten hardware at this time.



STEP 4

Align the lower mounting holes in the bracket with the (2) holes in the pinch weld. Bolt the Bracket to the pinch weld using the included (2) M8x1.25-30mm Hex Bolts, (4) M8 Flat Washers, (2) M8 Lock Washers and (2) M8x1.25 Hex Nuts, (Fig 4). **NOTE:** Insert the bolts up from the bottom of the pinch weld and through the Bracket. Do not fully tighten at this time.



iBoard®

STEP 5

Move to the Passenger Side Rear Mounting Location, (Fig 1). Repeat **Steps 2—5** for Passenger Rear Mounting Bracket installation.

STEP 6

Once all (2) mounting brackets are installed, then proceed to the Step Bar installation. According to the style of Step Bar proceed to the correct installation STEPS.

Note: Aluminum Step Bar refer to **STEP 7**; Stainless Steel Step Bar skip to **STEP 8**.

STEP 7

Aluminum Step Bar Installation:

Select a **Aluminum Step Bar**. Slip (2) M6x1-20mm Square Head Bolts into each bottom channel (Fig 5). Carefully position the Step Bar onto the (2) Mounting Brackets.

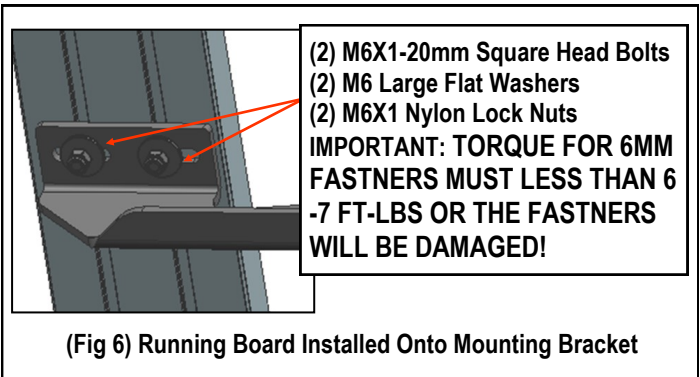
IMPORTANT: Do not slide the Step Bar on the Brackets or the bottom surface of the board will be damaged. Attach the Step Bar to each Mounting Brackets with (2) M6x1-20mm Square Head Bolts, (2) M6 Large Flat Washers and (2) M6X1 Nylon Lock Nuts, (Fig 6). Do not fully tighten at this time.

Level and adjust the Step Bar and fully tighten all hardware.

Repeat **Steps 1-7** for the other side Step Bar installation. **The installation is completed!!!**



(Fig 5) Slip M6X1-20mm Square Head Bolts Into The Bottom Channels



(Fig 6) Running Board Installed Onto Mounting Bracket

STEP 8

Stainless Steel Step Bar Installation:

Select a **Stainless Steel Step Bar** (with the U-Sliders installed on the Bar). Loose the U-Sliders, reposition the U-Sliders onto the board according to the (2) Installed Mounting Brackets location, (Fig 7). Re-secure the U-Sliders on the Step Bar. Attach the Step Bar to the installed Mounting Brackets with (4) M6X1-20mm Hex Bolts, (4) M6 Large Flat Washers & (4) M6 Lock Washers, (Fig 8). Do not fully tighten hardware at this time.

Level and adjust the Step Bar and fully tighten all hardware.

Repeat **Steps 1-6 and 8** for the other side Step Bar installation.

The installation is completed!!!

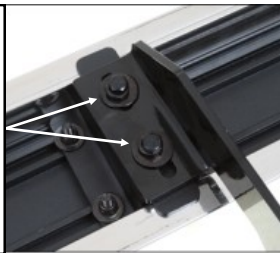


(Fig 7) Slide & line up the U-Slider with the installed mounting brackets along bottom channel

iBoard®

- (2) M6X1-20mm Hex Bolts
- (2) M6 Large Flat Washers
- (2) M6 Lock Washers

**IMPORTANT: TORQUE FOR 6MM
FASTNERS MUST LESS THAN 6-
7 FT-LBS OR THE FASTNERS
WILL BE DAMAGED!**



(Fig 8) Step Bar Installed on Bracket Installed (Example)

Attention

Do periodic inspections to the installation to make sure that all hardware is secure and tight.

In order to protect your bars/boards, please use only mild soap/non-abrasive products for cleaning.