

iBoard®

iBoard® by APS

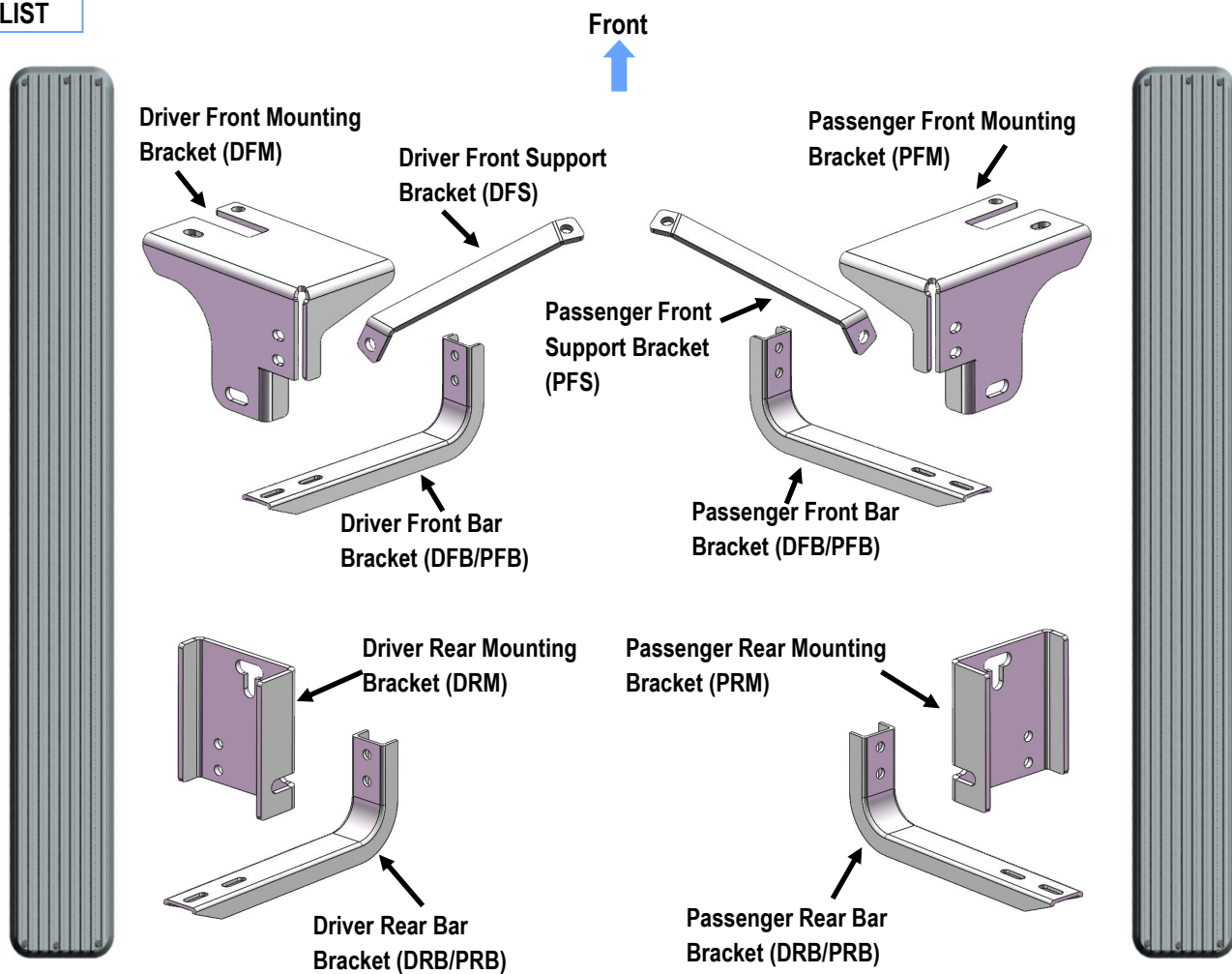
PART#: IB-213

READ INSTRUCTIONS CAREFULLY BEFORE STARTING INSTALLATION. REMOVE CONTENTS FROM BOX AND VERIFY ALL PARTS ARE PRESENT. ASSISTANCE IS RECOMMENDED.

*ROCKER PANEL MOUNT
*DRILLING MAY BE REQUIRED

Fastener Size	Tightening Torque (ft-lbs)	Required
6mm	6-7	√
8mm	16-18	√
10mm	31-32	√
12mm	56-58	X
14mm	92-94	X

PART LIST



Customer Support: info@iboardauto.com

iBoard®

Hardware Package A (For Bracket Installation)



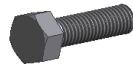
X1

M10 Driver Double
Nut Plate



X1

M10 Passenger Double
Nut Plate



X12

M10X1.5-30mm Hex
Bolt



X20

M10 Flat Washer



X12

M10 Lock Washer



X8

M10X1.5 Hex
Nut



X8

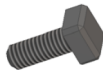
M8X1.25-20mm
Inner Hex Bolt



X8

M8X1.25 Hex
Flange Nut

Hardware Package B (For Aluminum Step Bar Installation Only, Not Supply to Stainless Steel Step Bar)



X8

M6X1-20mm Square Head Bolt



X8

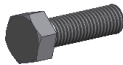
M6 Large Flat Washer



X8

M6 Nylon Lock Nut

Hardware Package C (For Stainless Steel Step Bar Installation Only, Not Supply to Aluminum Step Bar)



X8

M6X1-20mm Hex Bolt



X8

M6 Lock Washer

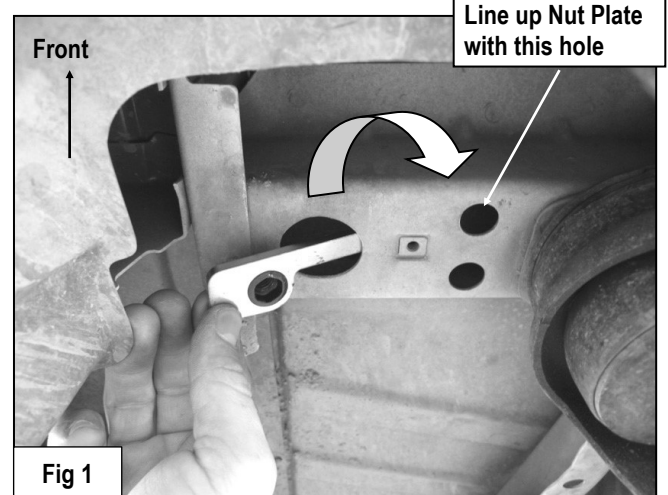


X8

M6 Flat Washer

STEP 1

Start the installation under the passenger side of the vehicle. Locate the three factory holes (one large, two small) in the frame channel next to the front body mount. Insert the smaller end of the M10 Passenger Double Nut Plate through the large hole in the frame and line it up with the smaller hole, (Fig 1).

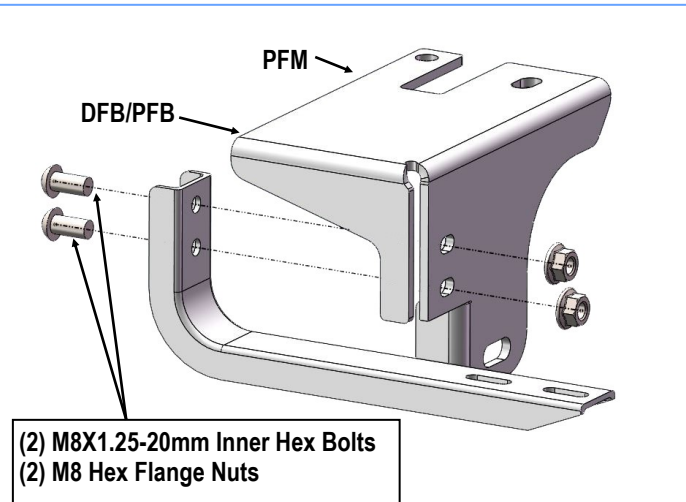


iBoard®

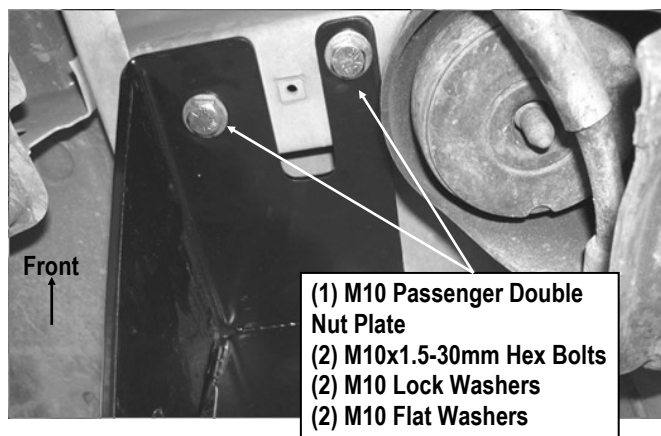
STEP 2

Assemble Passenger Front Mounting Bracket (PFM) and Passenger Front Bar Bracket (DFB/PFB) using the included (2) M8X1.25-20mm Inner Hex Bolts and (2) M8 Hex Flange Nuts, (Fig 2).

Hang the Assembled Passenger Front Mounting Bracket to the installed M10 Double Nut Plate with the included (2) M10X1.5-30mm Hex Bolts, (2) M10 Lock Washers and (2) M10 Flat Washers, (Fig 3). Do not fully tighten hardware at this time.



(Fig 2) Passenger Front Mounting Bracket (PFM) And Passenger Front Bar Bracket (DFB/PFB) Assembly

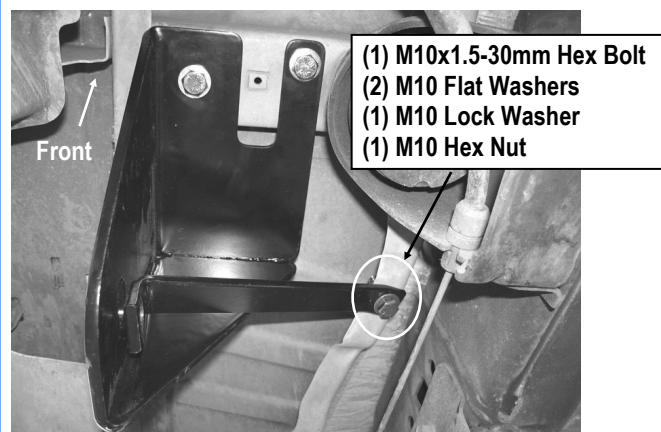


(Fig 3) Passenger Front Mounting Bracket (PFM) Installed

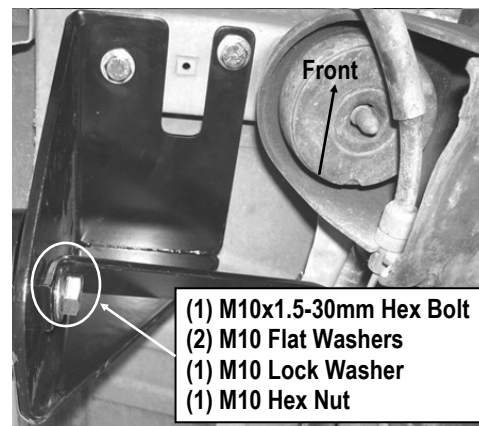
STEP 3

Locate the factory hole on the edge of the floor panel behind the passenger front body mount. Select the Passenger Front Support Bracket (PFS). Bolt the flat end of the Support Bracket to the factory hole using the included (1) M10 x 1.5-30mm Hex Bolt, (1) M10 Lock Washer, (2) M10 Flat Washers and (1) M10 Hex Nut, (Fig 4a).

Line up the bent end of the Support Bracket with the back of the Passenger Front Mounting Bracket. Bolt the Support Bracket using the included (1) M10 x 1.5-30mm Hex Bolt, (1) M10 Lock Washer, (2) M10 Flat Washers and (1) M10 Hex Nut, (Fig 4b). Do not fully tighten hardware at this time.



(Fig 4a) Passenger Front Support Bracket (PFS) Installation



(Fig 4b) Passenger Front Support Bracket (PFS) attached to Passenger Front Mounting Bracket (PFM)

iBoard®

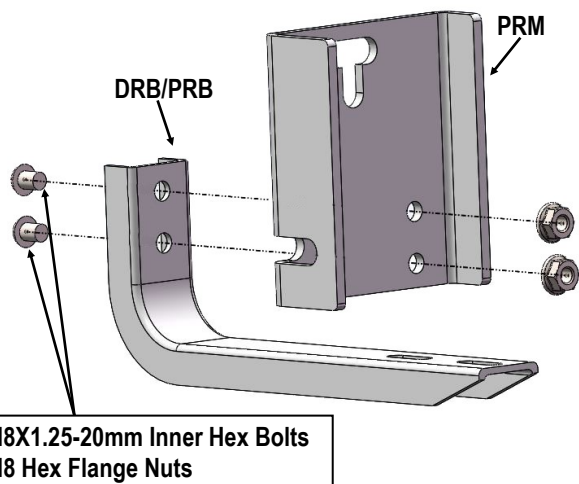
STEP 4

Move to the Passenger Side Rear Mounting Location of the vehicle. Assemble Passenger Rear Mounting Bracket (**PRM**) and Passenger Rear Bar Bracket (**DRB/PRB**) using the included (2) M8X1.25-20mm Inner Hex Bolts and (2) M8 Hex Flange Nuts, (**Fig 5**).

Insert the Passenger Rear Mounting Bracket (**PRM**) between the inner side panel and the outer body of the vehicle, (**Fig 6 & 7**). Line up the hole in the 90° bend with the factory hole in the cab toward the bed and secure it using the included (1) M10 x 1.5-30mm Hex Bolt, (1) M10 Lock Washer, (2) M10 Flat Washers and (1) M10 Hex Nut. Attach the upper mounting location in the Rear Bracket to factory hole in the inner side panel using the included (1) M10 x 1.5-30mm Hex Bolt, (1) M10 Lock Washer, (2) M10 Flat Washers and (1) M10 Hex Nut, (**Fig 6 & 7**). Do not fully tighten hardware at this time.

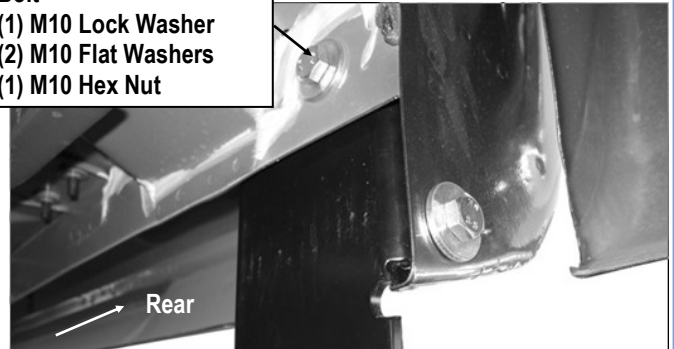
NOTE: On some models, it may be necessary to drill a hole through the side panel for the hex bolts.

IMPORTANT: Any cutting or drilling tool may break or shatter. Government regulations require safety glasses & equipment at all times when cutting or drilling.

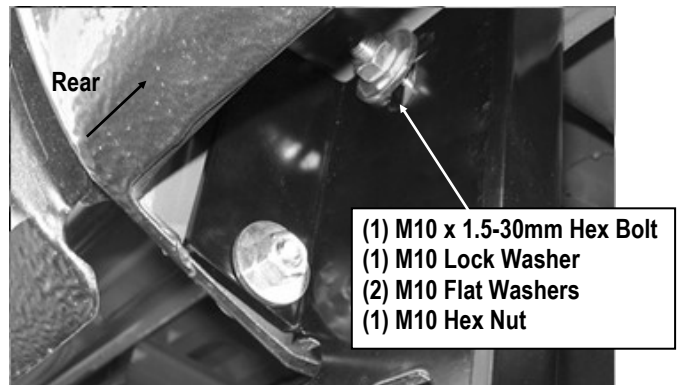


(Fig 5) Passenger Rear Mounting Bracket (PRM) And Passenger Rear Bar Bracket (DRB/PRB) Assembly

- (1) M10 x 1.5-30mm Hex Bolt
- (1) M10 Lock Washer
- (2) M10 Flat Washers
- (1) M10 Hex Nut



(Fig 6) Passenger Rear Mounting Bracket (PRM) Installation



(Fig 7) Passenger Rear Mounting Bracket (PRM) Installation

STEP 5

Once all (2) mounting brackets are installed, then proceed to the Step Bar installation. According to the style of Step Bar proceed to the correct installation STEPS.

Note: Aluminum Step Bar refer to STEP 6; Stainless Steel Step Bar skip to STEP 7.

iBoard®

STEP 6

Aluminum Step Bar Installation:

Select a **Aluminum Step Bar**. Slip (2) M6x1-20mm Square Head Bolts into each bottom channel (**Fig 8**). Carefully position the Step Bar onto the (2) Mounting Brackets.

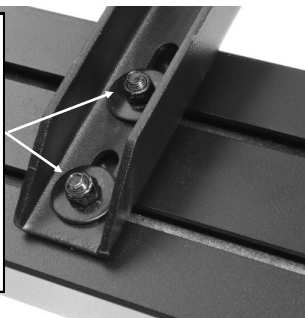
IMPORTANT: Do not slide the Step Bar on the Brackets or the bottom surface of the board will be damaged. Attach the Step Bar to each Mounting Brackets with (2) M6x1-20mm Square Head Bolts, (2) M6 Large Flat Washers and (2) M6 Nylon Lock Nuts, (**Fig 9**). Do not fully tighten at this time.

Level and adjust the Step Bar and fully tighten all hardware. Repeat **Steps 1-6** for the other side Step Bar installation. **The installation is completed!!!**



(Fig 8) Slip M6X1-20mm Square Head Bolts Into The Bottom Channels

(2) M6X1-20mm Square Head Bolts
(2) M6 Large Flat Washers
(2) M6 Nylon Lock Nuts
IMPORTANT: TORQUE FOR 6MM FASTNERS MUST LESS THAN 6-7 FT-LBS OR THE FASTNERS WILL BE DAMAGED!

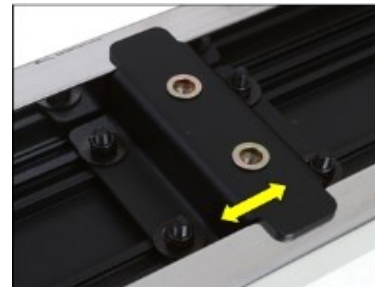


(Fig 9) Running Board Installed Onto Mounting Bracket

STEP 7

Stainless Steel Step Bar Installation:

Select a **Stainless Steel Step Bar** (with the U-Sliders installed on the Bar). Loose the U-Sliders, reposition the U-Sliders onto the board according to the (2) Installed Mounting Brackets location, (**Fig 10**). Re-secure the U-Sliders on the Step Bar. Attach the Step Bar to the installed Mounting Brackets with (4) M6X1-20mm Hex Bolts, (4) M6 Large Flat Washers & (4) M6 Lock Washers, (**Fig 11**). Do not fully tighten hardware at this time. Level and adjust the Step Bar and fully tighten all hardware. Repeat **Steps 1-5 and 7** for the other side Step Bar installation. **The installation is completed!!!**



(Fig 10) Slide & line up the U-Slider with the installed mounting brackets along bottom channel

(2) M6X1-20mm Hex Bolts
(2) M6 Large Flat Washers
(2) M6 Lock Washers
IMPORTANT: TORQUE FOR 6MM FASTNERS MUST LESS THAN 6-7 FT-LBS OR THE FASTNERS WILL BE DAMAGED!



(Fig 11) Step Bar Installed on Bracket Installed (Example)

Attention

Do periodic inspections to the installation to make sure that all hardware is secure and tight. In order to protect your bars/boards, please use only mild soap/non-abrasive products for cleaning.