

# iBoard®

## iBoard® by APS

PART#: IB-211

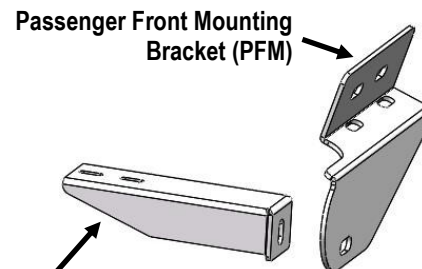
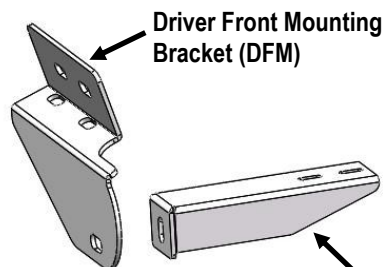
READ INSTRUCTIONS CAREFULLY BEFORE STARTING INSTALLATION. REMOVE CONTENTS FROM BOX AND VERIFY ALL PARTS ARE PRESENT. ASSISTANCE IS RECOMMENDED.

\*ROCKER PANEL MOUNT  
\*NO DRILLING REQUIRED

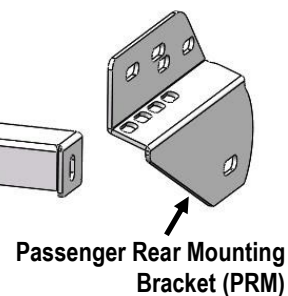
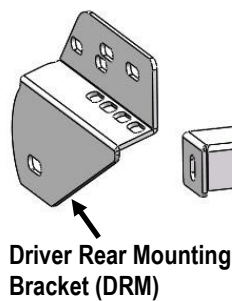
| Fastener Size | Tightening Torque (ft-lbs) | Required |
|---------------|----------------------------|----------|
| 6mm           | 6-7                        | √        |
| 8mm           | 16-18                      | √        |
| 10mm          | 31-32                      | √        |
| 12mm          | 56-58                      | √        |
| 14mm          | 92-94                      | X        |

### PART LIST

Front



Bar Bracket

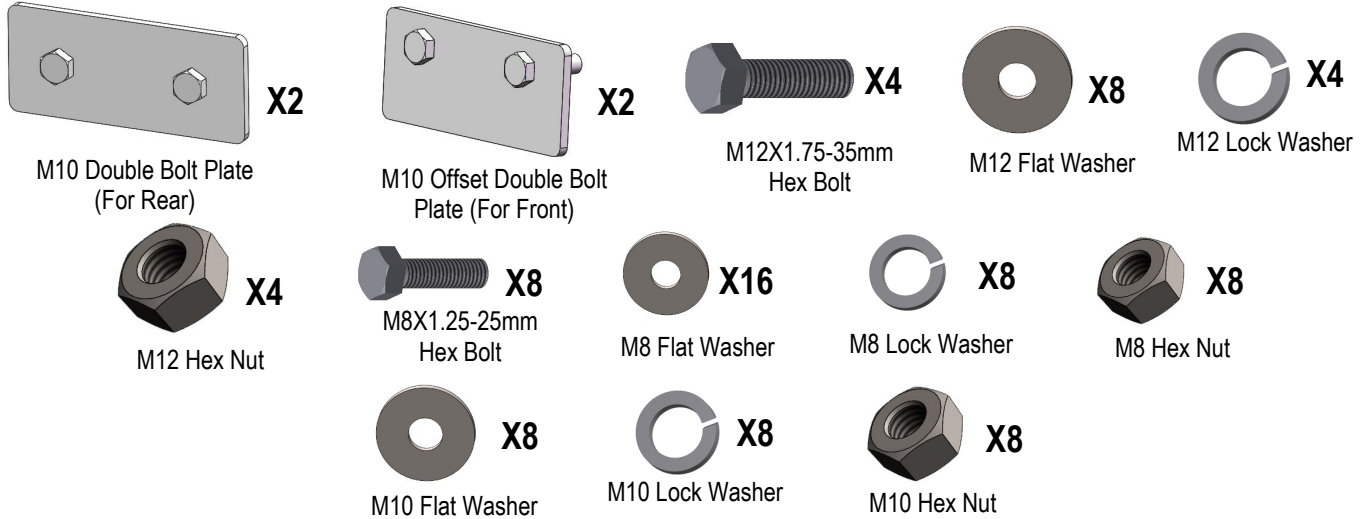


Note: (4) Bar Brackets are universal

Customer Support: [info@iboardauto.com](mailto:info@iboardauto.com)

# iBoard®

## Hardware Package A (For Bracket Installation)



## Hardware Package B (For Aluminum Step Bar Installation Only, Not Supply to Stainless Steel Step Bar)

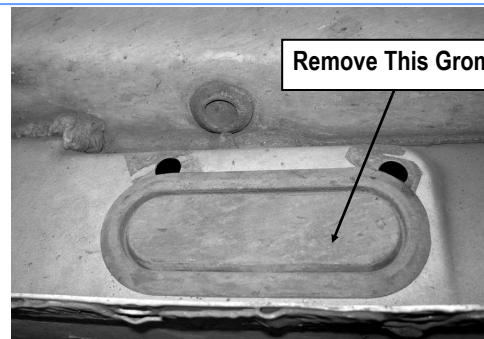


## Hardware Package C (For Stainless Steel Step Bar Installation Only, Not Supply to Aluminum Step Bar)



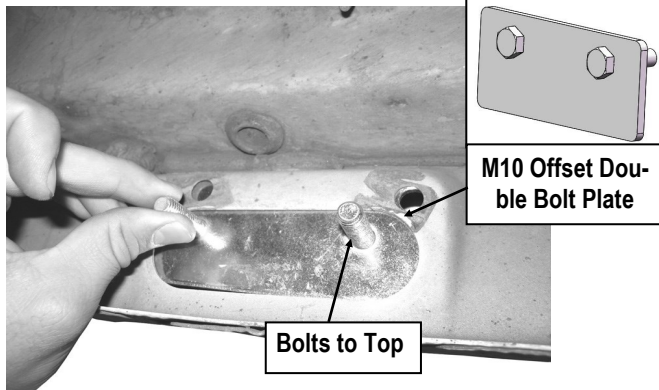
### STEP 1

Start installation from the driver side front of the vehicle. Remove the oval grommet located on the inside of the rocker panel, (Fig 1). Insert (1) M10 Offset Double Bolt Plate, (with threaded studs toward the top), into the factory oval hole, (Fig 2).



(Fig 1) Driver Side Front Mounting Location

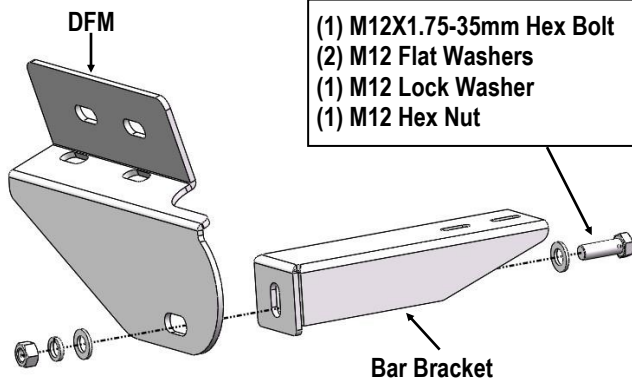
# iBoard®



(Fig 2) Insert (1) M10 Offset Double Bolt Plate

## STEP 2

Assemble the Driver Front Mounting Bracket (DFM) and the Bar Bracket with (1) M12X1.75-35mm Hex Bolt, (2) M12 Flat Washers, (1) M12 Lock Washer and (1) M12 Hex Nut, (Fig 3). Do not fully tighten hardware at this time.



(Fig 3) Driver Side Front Brackets Assembly

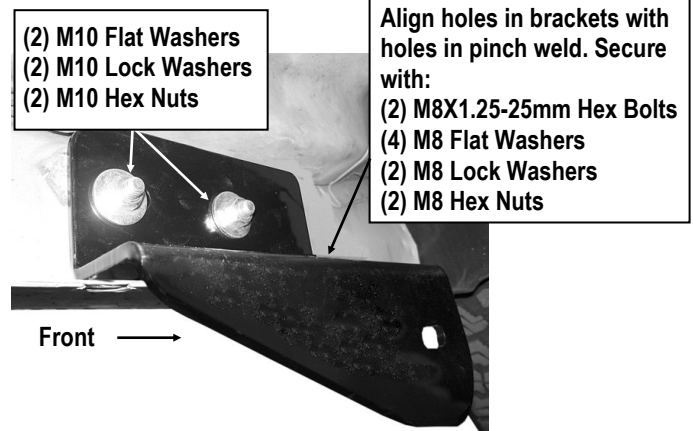
## STEP 3

Select the Driver Front Mounting Bracket, attach to the M10 Offset Double Bolt Plate with (2) M10 Flat Washers, (2) M10

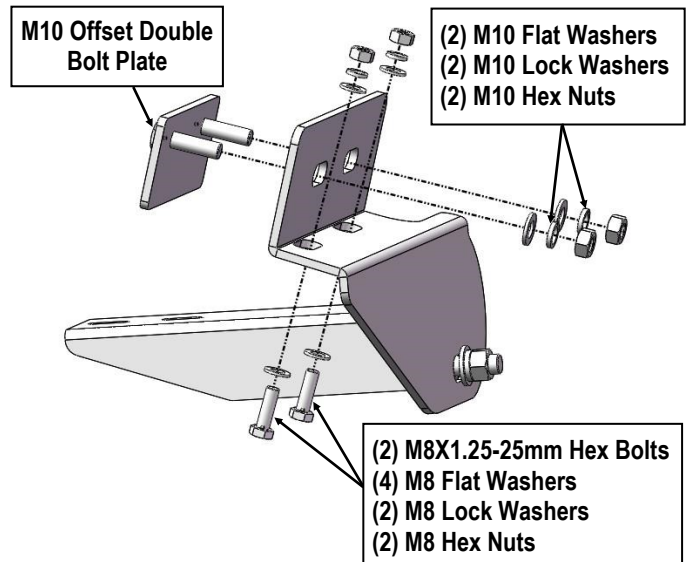
Lock Washers and (2) M10 Hex Nuts, (Figs 4 & 5). Do not fully tighten hardware at this time.

**Note:** Hold the Double Bolt Plate from one side while you position and attach the Mounting Bracket to the opposite side.

Align the Driver Front Mounting Bracket with holes in the pinch weld. Attach the Mounting Bracket to the pinch weld using the included (2) M8X1.25-25mm Hex Bolts, (4) M8 Flat Washers, (2) M8 Lock Washers and (2) M8 Hex Nuts, (Fig 5). Do not fully tighten hardware at this time.



(Fig 4) Driver Front Mounting Bracket Installation



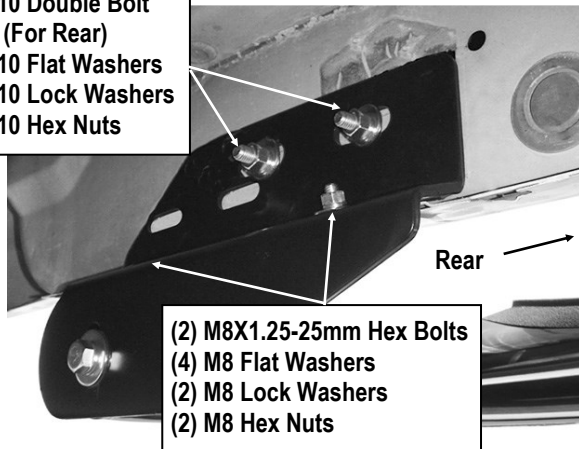
(Fig 5) Driver Front Mounting Bracket Installation

# iBoard®

## STEP 4

Moving to the driver side rear of the vehicle, use (1) M10 Double Bolt Plate (For Rear) to install the Driver Rear Mounting Bracket (DRM). Repeat **Steps 1-4** for the Driver Rear Mounting Bracket and the Bar Bracket assembly and installation, (Fig 6). Do not fully tighten hardware at this time.

(1) M10 Double Bolt Plate (For Rear)  
(2) M10 Flat Washers  
(2) M10 Lock Washers  
(2) M10 Hex Nuts



(2) M8X1.25-25mm Hex Bolts  
(4) M8 Flat Washers  
(2) M8 Lock Washers  
(2) M8 Hex Nuts

(Fig 6) Driver Rear Mounting Bracket Installation  
(Except Driver Side Mounting Bracket On 97-98 3-door Models)

## STEP 5

Once all (2) mounting brackets are installed, then proceed to the Step Bar installation. According to the style of Step Bar proceed to the correct installation STEPS.

**Note:** Aluminum Step Bar refer to STEP 6; Stainless Steel Step Bar skip to STEP 7.

## STEP 6

### Aluminum Step Bar Installation:

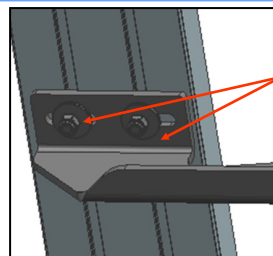
Select a **Aluminum Step Bar**. Slip (2) M6x1-20mm Square Head Bolts into each bottom channel (Fig 7). Carefully position the Step Bar onto the (2) Mounting Brackets.

**IMPORTANT:** Do not slide the Step Bar on the Brackets or the bottom surface of the board will be damaged. Attach the Step Bar to each Mounting Brackets with (2) M6x1-20mm Square Head Bolts, (2) M6 Large Flat Washers and (2) M6 Nylon Lock Nuts, (Fig 8). Do not fully tighten at this time.

Level and adjust the Step Bar and fully tighten all hardware. Repeat **Steps 1-6** for the other side Step Bar installation. **The installation is completed!!!**



(Fig 7) Slip M6X1-20mm Square Head Bolts Into The Bottom Channels



(2) M6X1-20mm Square Head Bolts  
(2) M6 Large Flat Washers  
(2) M6 Nylon Lock Nuts  
**IMPORTANT: TORQUE FOR 6MM FASTENERS MUST LESS THAN 6 -7 FT-LBS OR THE FASTENERS WILL BE DAMAGED!**

(Fig 8) Running Board Installed Onto Mounting Bracket

## STEP 7

### Stainless Steel Step Bar Installation:

Select a **Stainless Steel Step Bar** (with the U-Sliders installed on the Bar). Loose the U-Sliders, reposition the U-Sliders onto the board according to the (2) Installed Mounting Brackets location, (Fig 9). Re-secure the U-Sliders on the Step Bar. Attach the Step Bar to the installed Mounting Brackets with (4) M6X1-20mm Hex Bolts, (4) M6 Large Flat Washers & (4) M6 Lock Washers, (Fig 10). Do not fully tighten hardware at this time.

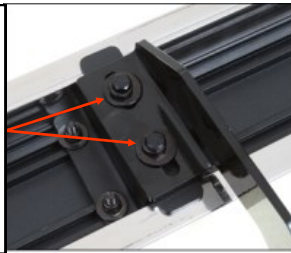
Level and adjust the Step Bar and fully tighten all hardware. Repeat **Steps 1-5 and 7** for the other side Step Bar installation. **The installation is completed!!!**

# iBoard®



(Fig 9) Slide & line up the U-Slider with the installed mounting brackets along bottom channel

(2) M6X1-20mm Hex Bolts  
(2) M6 Large Flat Washers  
(2) M6 Lock Washers  
**IMPORTANT: TORQUE FOR 6MM FASTNERS MUST LESS THAN 6-7 FT-LBS OR THE FASTNERS WILL BE DAMAGED!**



(Fig 10) Step Bar Installed on Bracket Installed (Example)

## Attention

Do periodic inspections to the installation to make sure that all hardware is secure and tight.

In order to protect your bars/boards, please use only mild soap/non-abrasive products for cleaning.