

iBoard®

iBoard® by APS

PART#: IB-211A-B

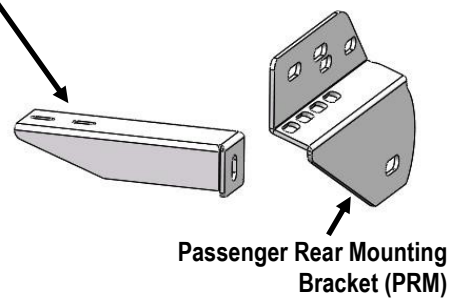
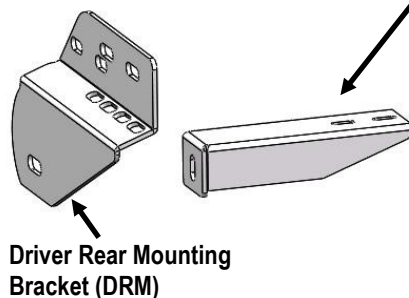
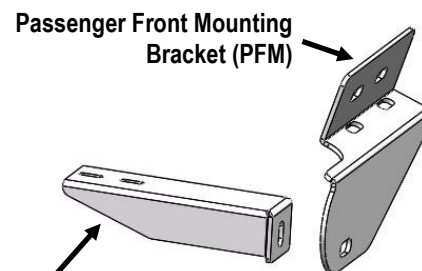
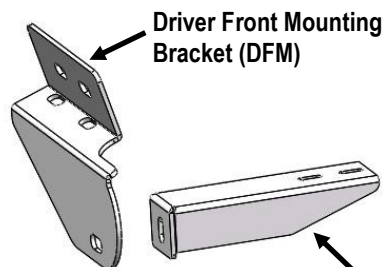
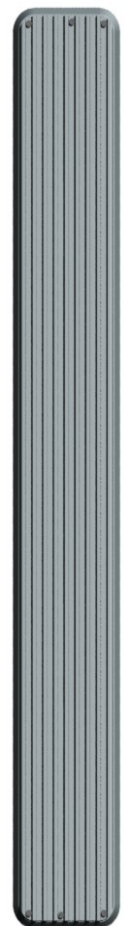
READ INSTRUCTIONS CAREFULLY BEFORE STARTING INSTALLATION. REMOVE CONTENTS FROM BOX AND VERIFY ALL PARTS ARE PRESENT. ASSISTANCE IS RECOMMENDED.

*ROCKER PANEL MOUNT
*NO DRILLING REQUIRED

Fastener Size	Tightening Torque (ft-lbs)
6mm	6-7
8mm	16-18
10mm	31-32
12mm	56-58
14mm	92-94

PART LIST

Front
↑

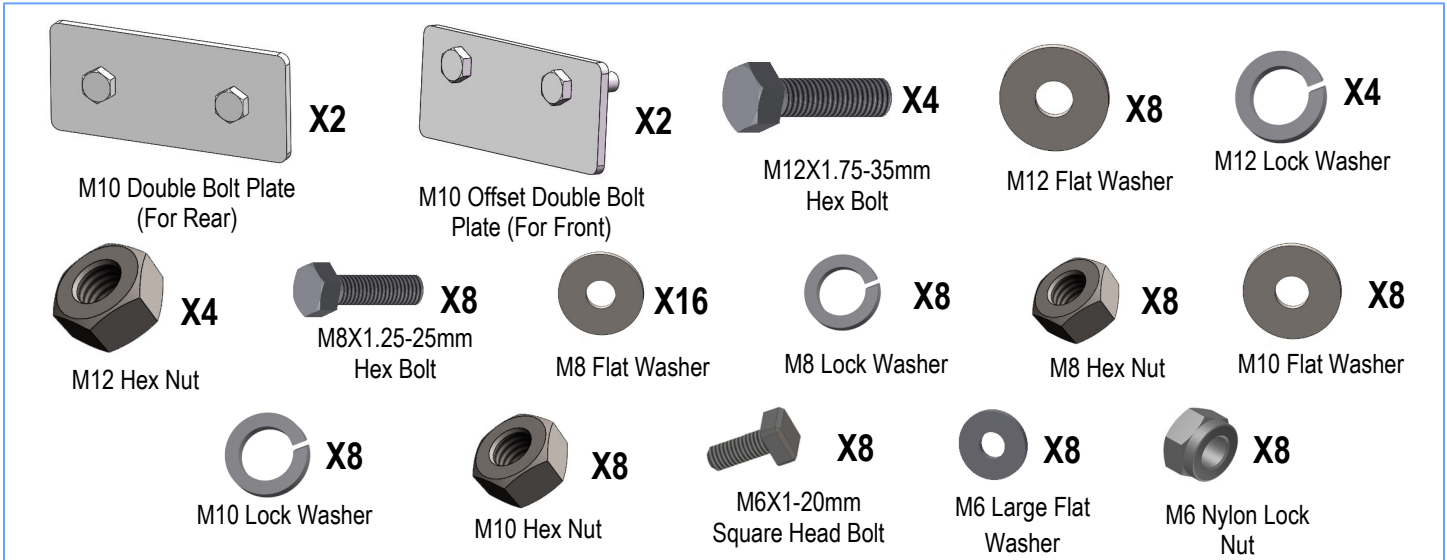


Bar Bracket

Note: (4) Bar Brackets are universal

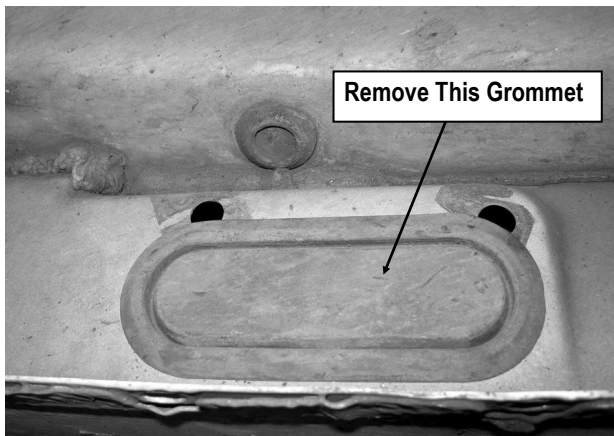
Customer Support: info@iboardauto.com

iBoard®

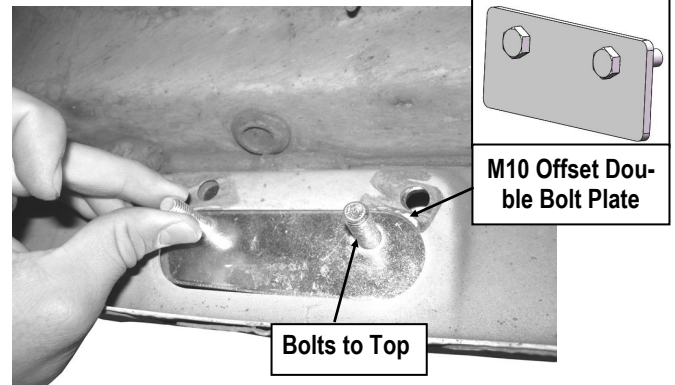


STEP 1

Start installation from the driver side front of the vehicle. Remove the oval grommet located on the inside of the rocker panel, **(Fig 1)**. Insert (1) M10 Offset Double Bolt Plate, (with threaded studs toward the top), into the factory oval hole, **(Fig 2)**.



(Fig 1) Driver Side Front Mounting Location

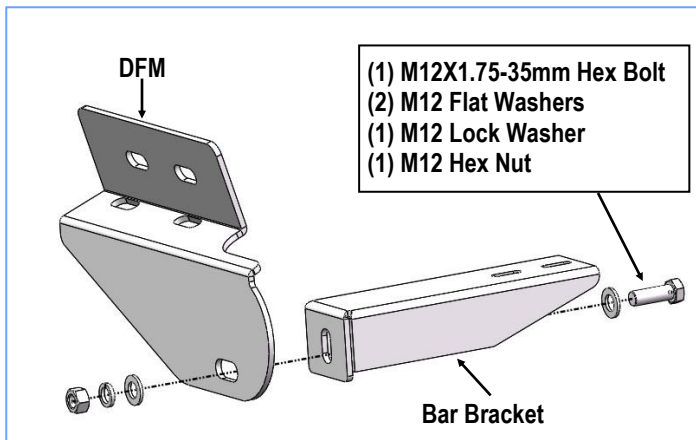


(Fig 2) Insert (1) M10 Offset Double Bolt Plate

STEP 2

Assemble the Driver Front Mounting Bracket **(DFM)** and the Bar Bracket with (1) M12X1.75-35mm Hex Bolt, (2) M12 Flat Washers, (1) M12 Lock Washer and (1) M12 Hex Nut, **(Fig 3)**. Do not fully tighten hardware at this time.

iBoard®



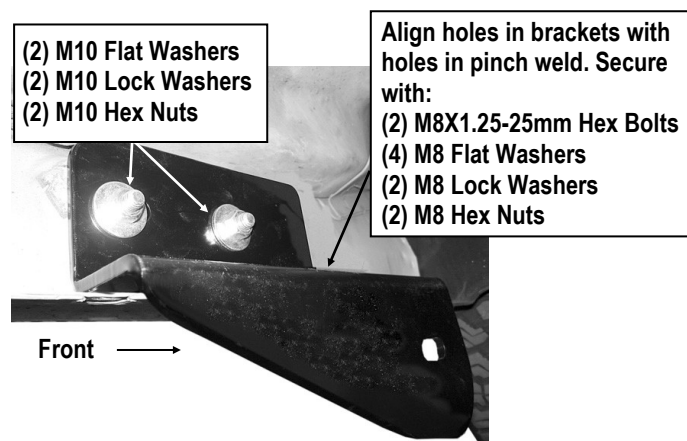
(Fig 3) Driver Side Front Brackets Assembly

STEP 3

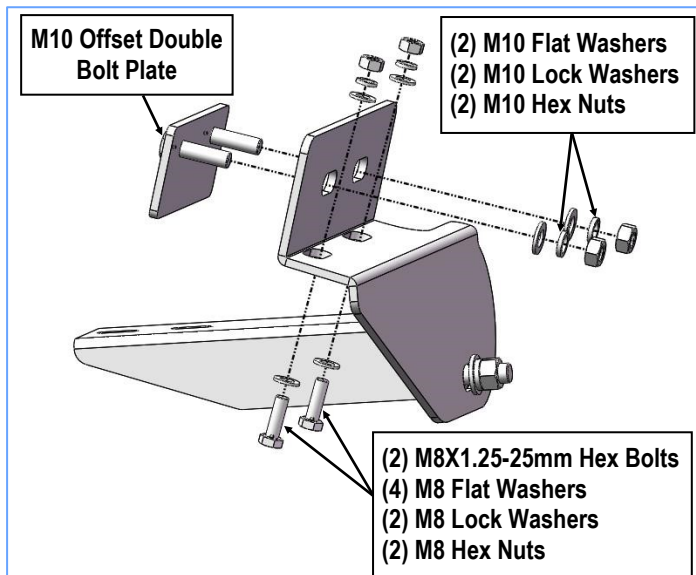
Select the Driver Front Mounting Bracket, attach to the M10 Offset Double Bolt Plate with (2) M10 Flat Washers, (2) M10 Lock Washers and (2) M10 Hex Nuts, (Figs 4 & 5). Do not fully tighten hardware at this time.

Note: Hold the Double Bolt Plate from one side while you position and attach the Mounting Bracket to the opposite side.

Align the Driver Front Mounting Bracket with holes in the pinch weld. Attach the Mounting Bracket to the pinch weld using the included (2) M8X1.25-25mm Hex Bolts, (4) M8 Flat Washers, (2) M8 Lock Washers and (2) M8 Hex Nuts, (Fig 5). Do not fully tighten hardware at this time.



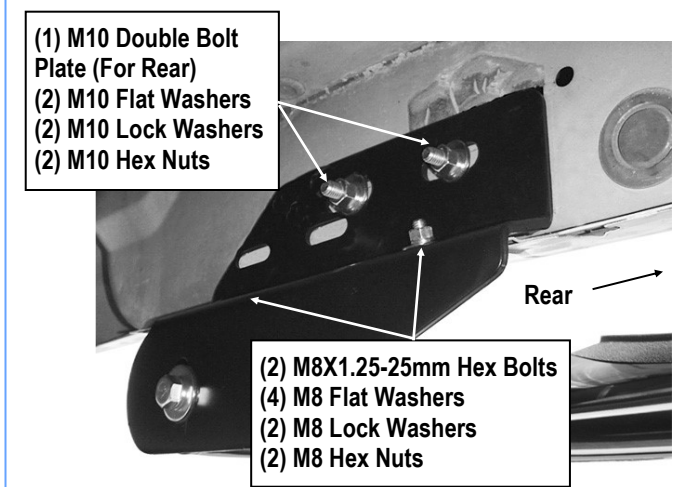
(Fig 4) Driver Front Mounting Bracket Installation



(Fig 5) Driver Front Mounting Bracket Installation

STEP 4

Moving to the driver side rear of the vehicle, use (1) M10 Double Bolt Plate (For Rear) to install the Driver Rear Mounting Bracket (DRM). Repeat **Steps 1-4** for the Driver Rear Mounting Bracket and the Bar Bracket assembly and installation, (Fig 6). Do not fully tighten hardware at this time.



(Fig 6) Driver Rear Mounting Bracket Installation
(Except Driver Side Mounting Bracket On 97-98 3-door Models)

iBoard®

STEP 5

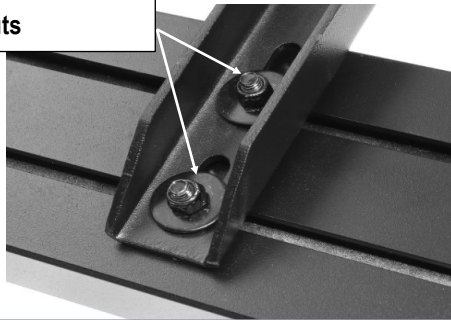
Select a Running Board. Slip (2) M6x1-20mm Square Head Bolts into each bottom channel, (**Fig 7**). Carefully position the Running Board onto the (2) Bar Brackets. **IMPORTANT:** Do not slide the Running Board on the Brackets or the bottom surface of the board will be damaged.

Attach the Running Board to (2) Brackets with (4) M6x1-20mm Square Head Bolts, (4) M6 Large Flat Washers and (4) M6 Nylon Lock Nuts (**Fig 8**). Do not fully tighten the hardware at this time.



(Fig 7) Slip M6X1-20mm Square Head Bolts into the bottom channel

(2) M6X1-20mm Square Head Bolts
(2) M6 Large Flat Washers
(2) M6 Nylon Lock Nuts



(Fig 8) Running Board Installed Onto (2) Bar Brackets

STEP 6

Level and adjust the Running Board and fully tighten all hardware.

STEP 7

Repeat **Steps 1-6** for the other side Running Board installation. The installation is completed.

Attention

Do periodic inspections to the installation to make sure that all hardware is secure and tight.

In order to protect your bars/boards, please use only mild soap/non-abrasive products for cleaning.