

iBoard®

iBoard® by APS

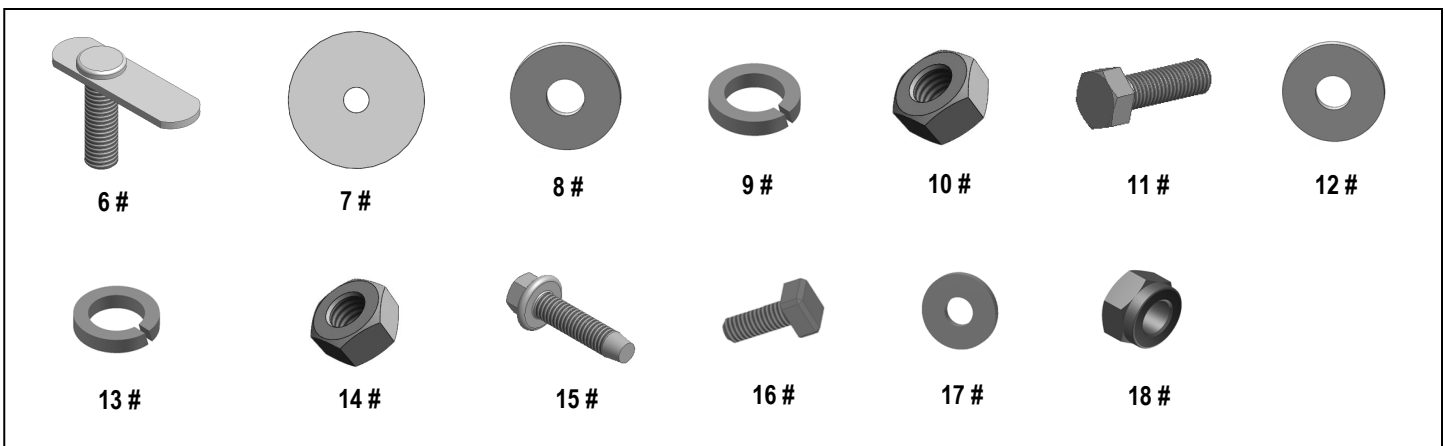
PART#: IB-R002

READ INSTRUCTIONS CAREFULLY BEFORE STARTING INSTALLATION. REMOVE CONTENTS FROM BOX AND VERIFY ALL PARTS ARE PRESENT. ASSISTANCE IS RECOMMENDED.

*ROCKER PANEL MOUNT
*DRILLING IS REQUIRED

Fastener Size	Tightening Torque (ft-lbs)	Required
6mm	6-7	√
8mm	16-18	X
10mm	31-32	√
12mm	56-58	X
14mm	92-94	X

Item	QTY	Description	Item	QTY	Description
1#	1	Passenger Front Mounting Bracket	10#	8	M10 Hex Nuts
2#	1	Driver Front Mounting Bracket	11#	8	M6X1-25mm Hex Bolts
3#	4	Center Mounting Brackets	12#	16	M6 Flat Washers
4#	1	Passenger Rear Mounting Bracket	13#	8	M6 Lock Washers
5#	1	Driver Rear Mounting Bracket	14#	8	M6 Hex Nuts
6#	8	M10X35 Bolt Plates	15#	8	ST6.3X22mm Self Tapping Screws
7#	8	M10 Plastic Washers	16#	16	M6X1-20mm Square Head Bolts
8#	8	M10 Flat Washers	17#	16	M6 Large Flat Washers
9#	8	M10 Lock Washers	18#	16	M6 Nylon Lock Nuts



Customer Support: info@iboardauto.com

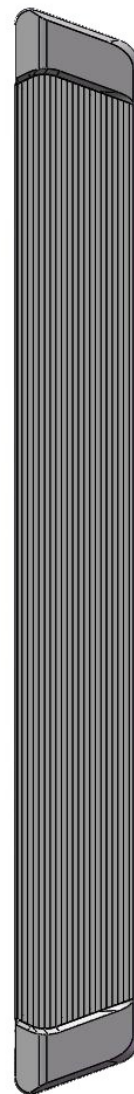
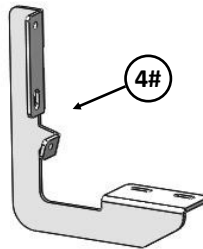
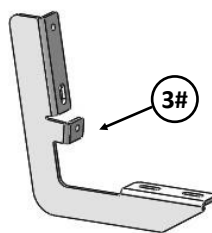
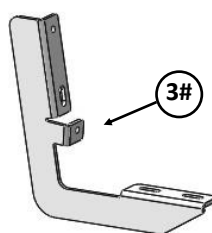
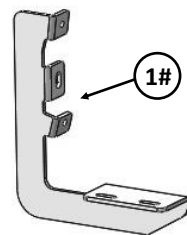
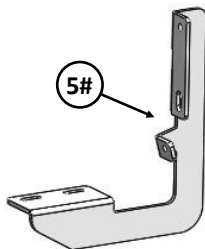
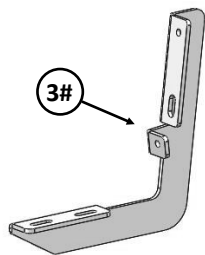
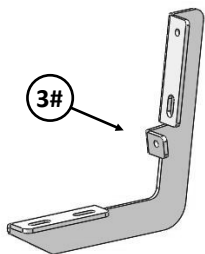
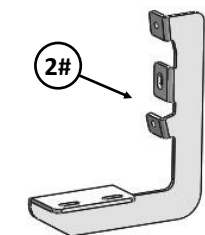
iBoard®

Driver

Front



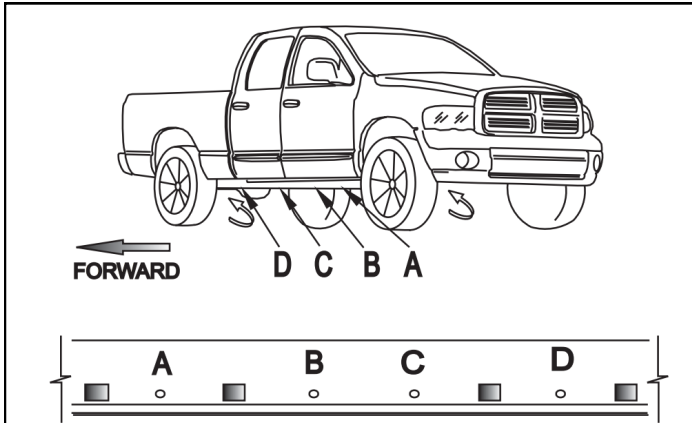
Passenger



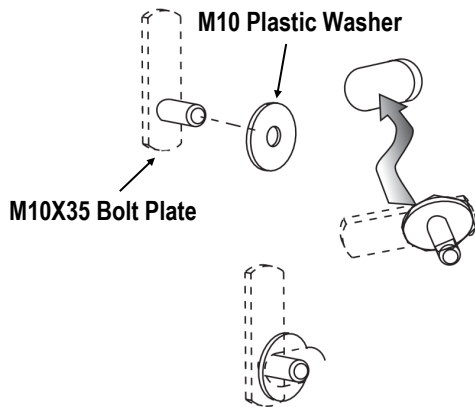
iBoard®

STEP 1

Start installation from the Passenger side front of the vehicle. Remove tape from locations as shown. Install M10X35 Bolt Plates and M10 Plastic Washers as shown, (Fig 1).



(Fig 1) Passenger Side Front Mounting Location



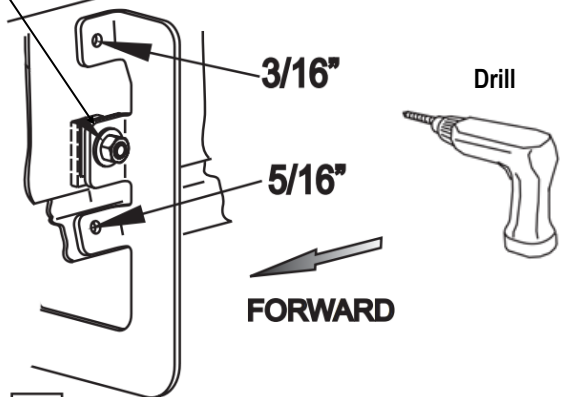
(Fig 2) Install M10X35 Bolt Plates and M10 Plastic Washers

STEP 2

Attach the Passenger Front Mounting Bracket onto the M10X35 Bolt Plate on Mounting Location with (1) M10 Flat Washer, (1) M10 Lock Washer and (1) M10 Hex Nut. Mark holes. Remove the bracket and Drill holes as shown, (Fig 3).

NOTE: Be sure to use the correct drill bit size for each hole.

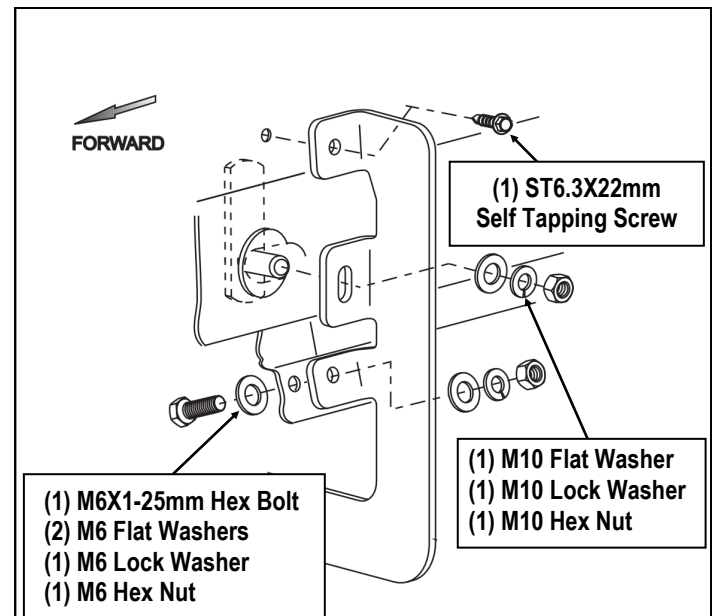
- (1) M10 Flat Washer
- (1) M10 Lock Washer
- (1) M10 Hex Nut



(Fig 3) Passenger Side Front Mounting Holes Mark and Drill

STEP 3

Attach the Passenger Front Mounting Bracket to the M10X35 Bolt Plate, and secure the mounting bracket as shown on Fig 4. Don't fully tighten at this time.

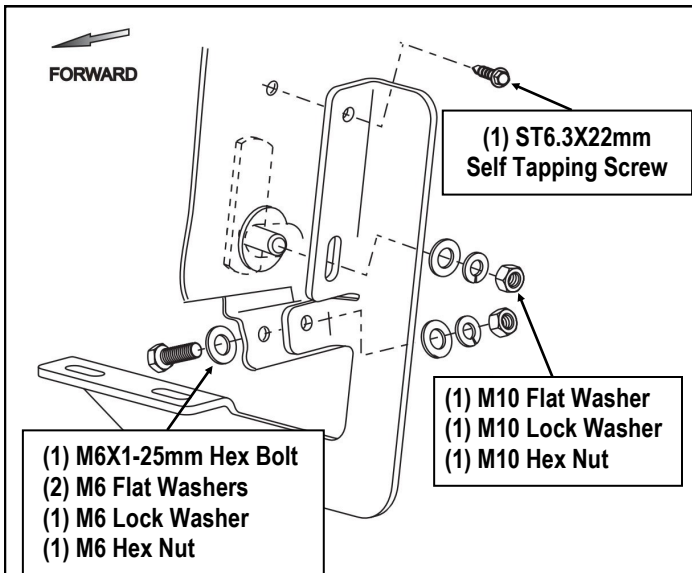


(Fig 4) Passenger Side Front Mounting Bracket Installation

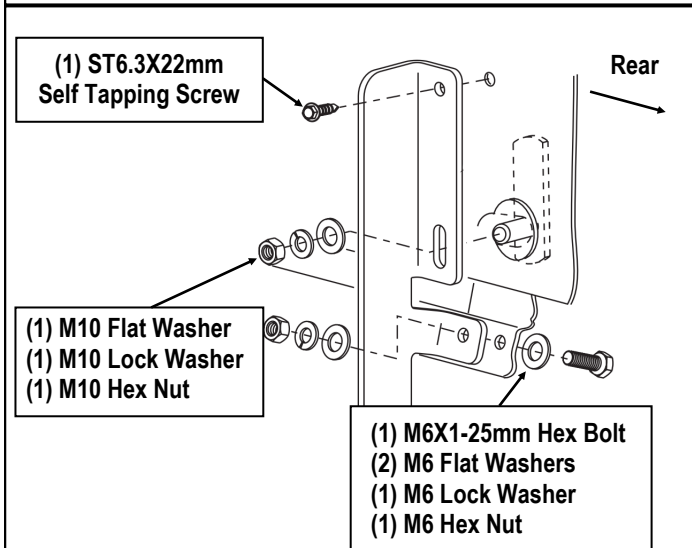
iBoard®

STEP 4

Move to Passenger Side B & C & Rear Mounting Locations, (Fig 1). Repeat Steps 1-3 to install Passenger Center and Rear Mounting Brackets (Figs 5 & 6). Don't fully tighten the hardware at this time.



(Fig 5) Passenger Side Center Mounting Bracket Installation



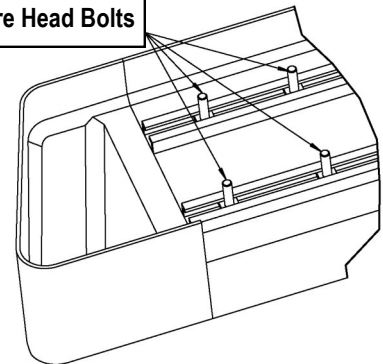
(Fig 6) Passenger Side Rear Mounting Bracket Installation

STEP 5

Select a Running Board. Slip (4) M6x1-20mm Square Head Bolts into each bottom channel (Fig 7). Carefully position the Running Board onto the (4) Mounting Brackets.

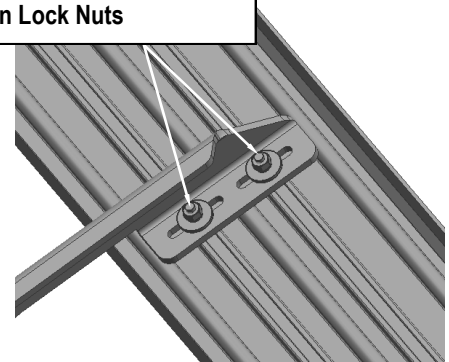
IMPORTANT: Do not slide the Running Board on the Brackets or the bottom surface of the board will be damaged. Attach the Running Board to each Mounting Bracket with (2) M6x1-20mm Square Head Bolts, (2) M6 Large Flat Washers and (2) M6 Nylon Lock Nuts (Fig 8). Do not fully tighten at this time.

M6X1-20mm Square Head Bolts



(Fig 7) Slip M6X1-20mm Square Head Bolts Into The Bottom Channels

(2) M6X1-20mm Square Head Bolts
(2) M6 Large Flat Washers
(2) M6 Nylon Lock Nuts



(Fig 8) Running Board Installed Onto Mounting Bracket

iBoard®

STEP 6

Level and adjust the Running Board and fully tighten all hardware.

Important: Please follow the recommended Tightening Torques shown in the table on page 1. Don't over tighten, or the nuts/bolts will be damaged.

STEP 7

Repeat **Steps 1-6** for the other side Running Board installation. The installation is completed .

Attention

Do periodic inspections to the installation to make sure that all hardware is secure and tight.

In order to protect your bars/boards, please use only mild soap/non-abrasive products for cleaning.