

iBoard®

iBoard® by APS

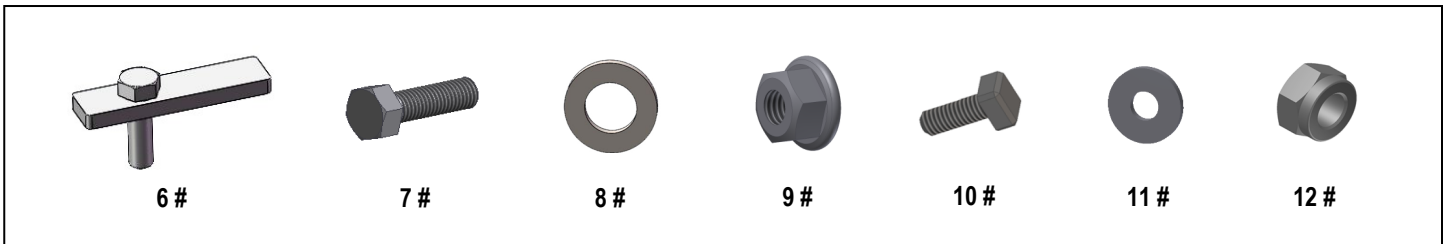
PART#: IB-R048

READ INSTRUCTIONS CAREFULLY BEFORE STARTING INSTALLATION. REMOVE CONTENTS FROM BOX AND VERIFY ALL PARTS ARE PRESENT. ASSISTANCE IS RECOMMENDED.

*ROCKER PANEL MOUNT
*DRILLING IS REQUIRED

Fastener Size	Tightening Torque (ft-lbs)	Required
6mm	6-7	√
8mm	16-18	√
10mm	31-32	X
12mm	56-58	X
14mm	92-94	X

Item	QTY	Description	Item	QTY	Description
1#	2	Driver/Passenger Front Mounting Brackets	7#	24	M8X1.25-20mm Hex Bolts
2#	4	Driver/Passenger Center Mounting Brackets	8#	24	M8 Flat Washers
3#	2	Driver/Passenger Rear Mounting Brackets	9#	32	M8 Hex Flange Nuts
4#	2	Driver/Passenger Front Support Brackets	10#	16	M6X1-20mm Square Head Bolts
5#	6	Support Brackets	11#	16	M6 Large Flat Washers
6#	8	M8X30 Bolt Plates	12#	16	M6 Nylon Lock Nuts

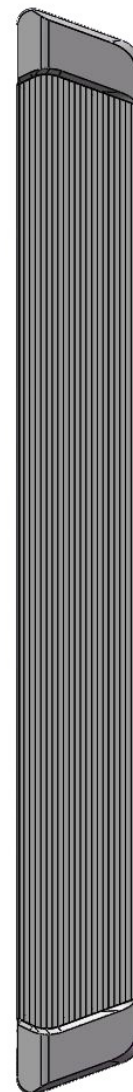
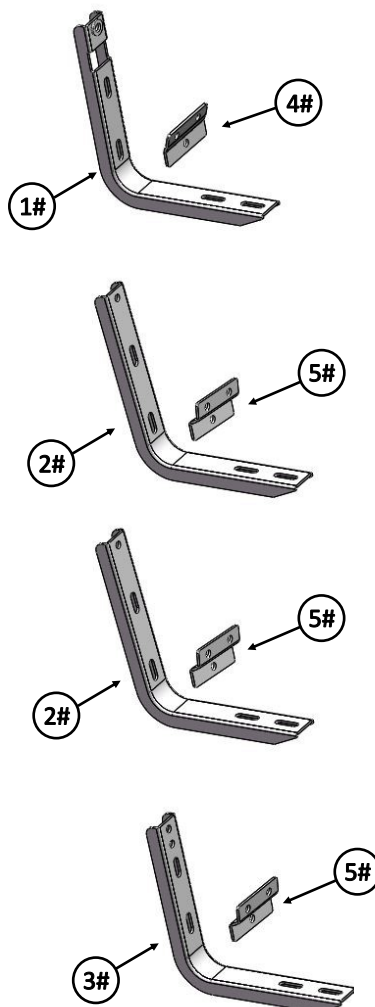
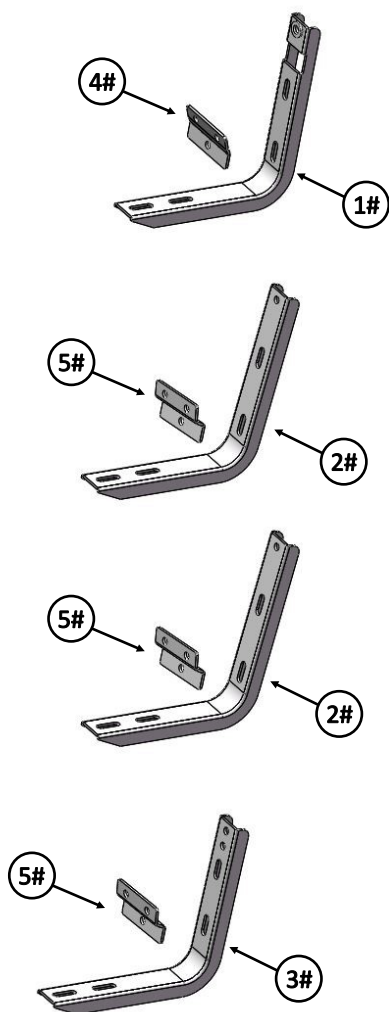


iBoard®

Driver

Front

Passenger

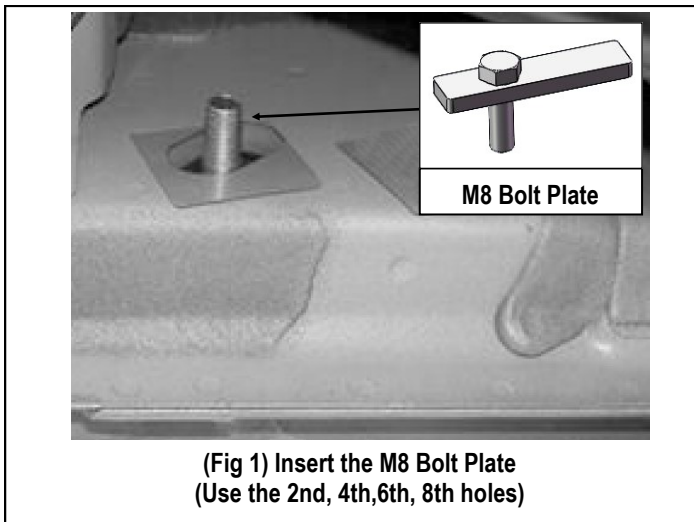


iBoard®

STEP 1

Start installation from the driver side of the vehicle. Locate (8) mounting positions along the rocker panel.

Insert (4) M8 Bolt Plates into the oval holes (Use the 2nd, 4th, 6th and 8th holes), (Fig 1).



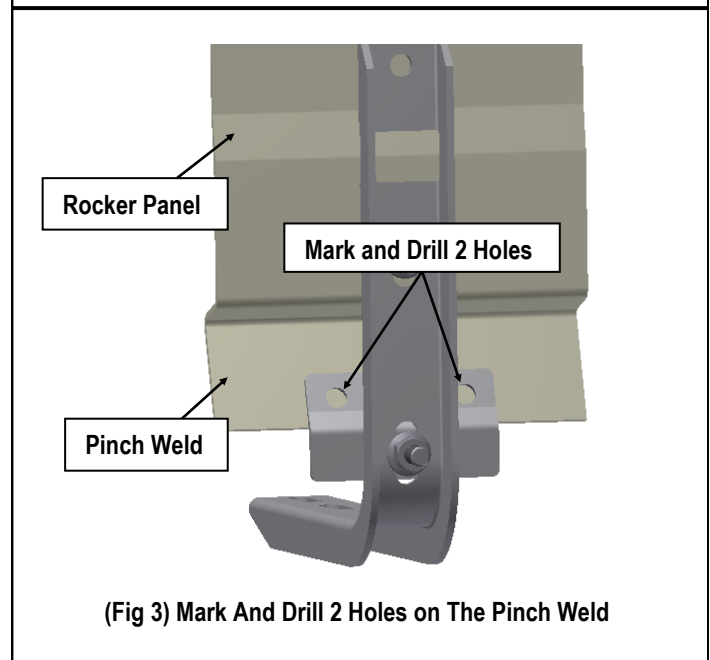
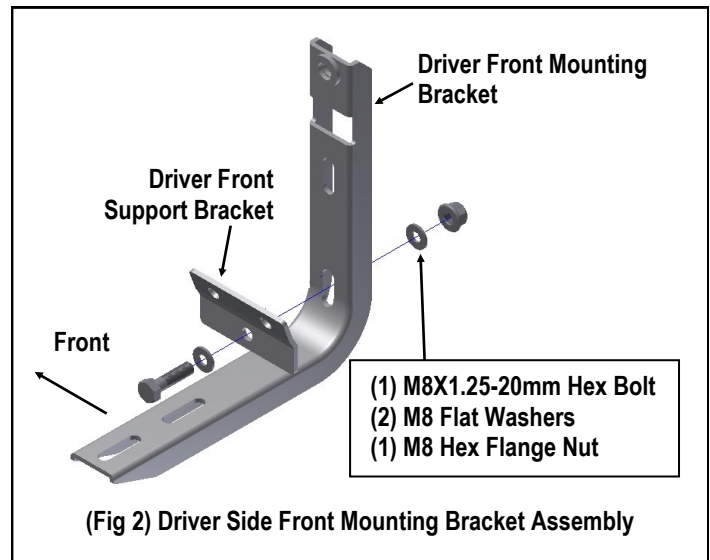
STEP 2

Assemble Driver Front Mounting Bracket and the Driver Front Support Bracket with (1) M8X1.25-20mm Hex Bolt, (2) M8 Flat Washers and (1) M8 Hex Flange Nut. Don't fully tighten at this time, (Fig 2).

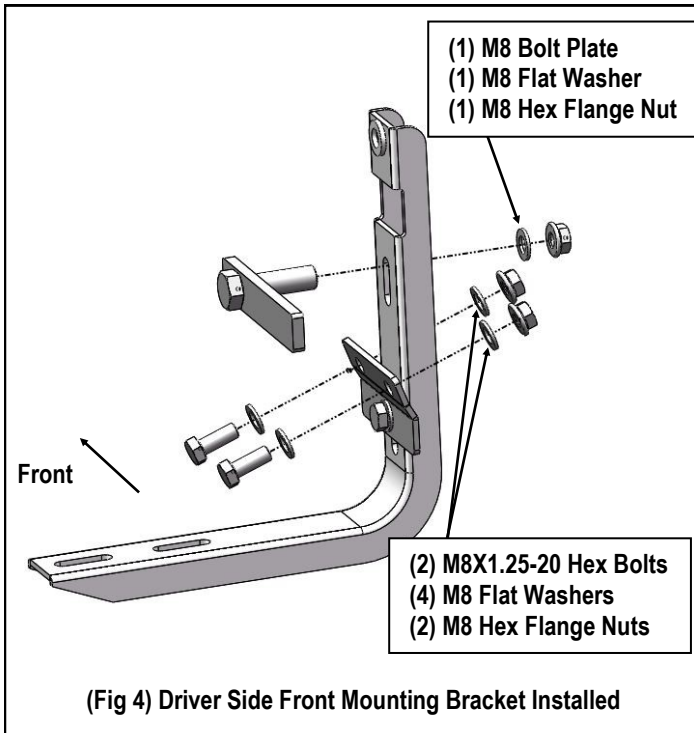
Attach the assembled Driver Front Mounting Bracket onto the rocker panel. According to the position of Driver Front Support Bracket, mark and drill 2 holes on the pinch weld, (Fig 3).

STEP 3

Install the assembled Driver Front Mounting Bracket on the rocker panel and pinch weld with (1) M8 Bolt Plate, (2) M8X1.25-20mm Hex Bolts, (5) M8 Flat Washers, (3) M8 Hex Flange Nuts, (Fig 4). Do not fully tighten at this time.



iBoard®



STEP 4

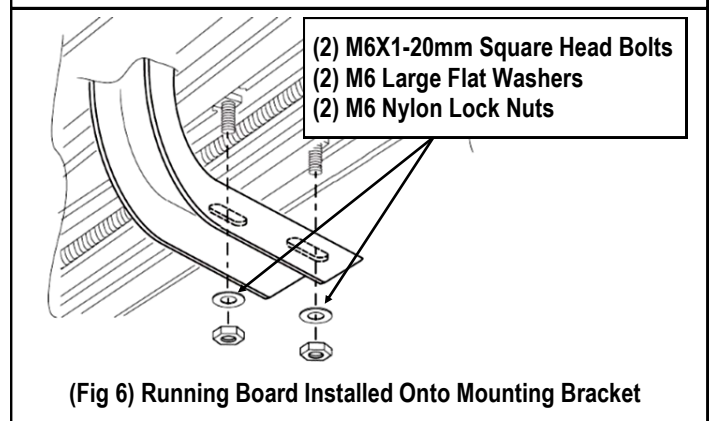
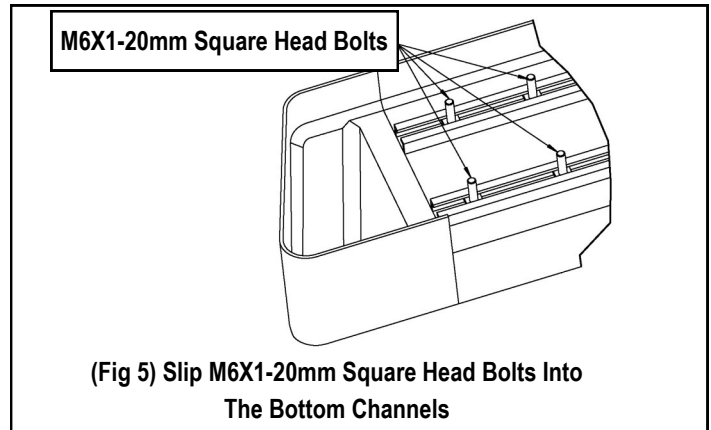
Move to the driver side 4th & 6th & 8th of the vehicle. Repeat **Steps 1-3** for (2) Driver Center Mounting Brackets, (1) Driver Rear Mounting Bracket and (3) Support Brackets assembly and installation. Do not fully tighten at this time.

Note: (6) Support Brackets are universal.

STEP 5

Select a Running Board. Slip (4) M6x1-20mm Square Head Bolts into each bottom channel (**Fig 5**). Carefully position the Running Board onto the (4) Mounting Brackets.

IMPORTANT: Do not slide the Running Board on the Brackets or the bottom surface of the board will be damaged. Attach the Running Board to each Mounting Bracket with (2) M6x1-20mm Square Head Bolts, (2) M6 Large Flat Washers and (2) M6 Nylon Lock Nuts (**Fig 6**). Do not fully tighten at this time.



STEP 6

Level and adjust the Running Board and fully tighten all hardware.

Important: Please follow the recommended Tightening Torques shown in the table on page 1. Don't over tighten, or the nuts/bolts will be damaged.

STEP 7

Repeat **Steps 1-6** for the other side Running Board installation. The installation is completed.

Attention

Do periodic inspections to the installation to make sure that all hardware is secure and tight. In order to protect your bars/boards, please use only mild soap/non-abrasive products for cleaning.