

# iBoard®



Scan for  
Installation Video

## iBoard® by APS

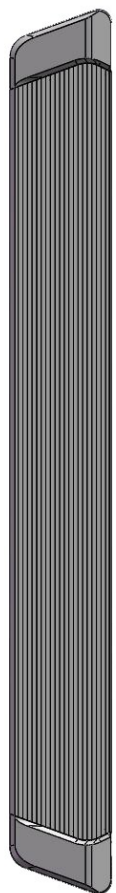
PART#: IB-R046

READ INSTRUCTIONS CAREFULLY BEFORE STARTING INSTALLATION. REMOVE CONTENTS FROM BOX AND VERIFY ALL PARTS ARE PRESENT. ASSISTANCE IS RECOMMENDED.

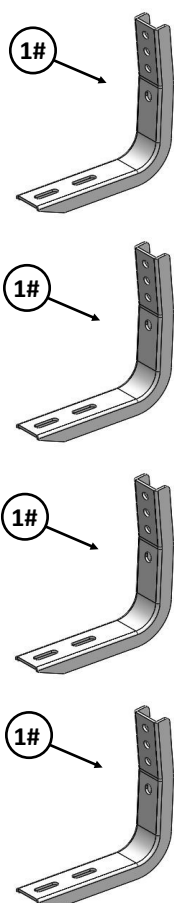
\*ROCKER PANEL MOUNT  
\*DRILLING IS REQUIRED

Fastener Size	Tightening Torque (ft-lbs)	Required
6mm	6-7	√
8mm	16-18	√
10mm	31-32	X
12mm	56-58	X
14mm	92-94	X

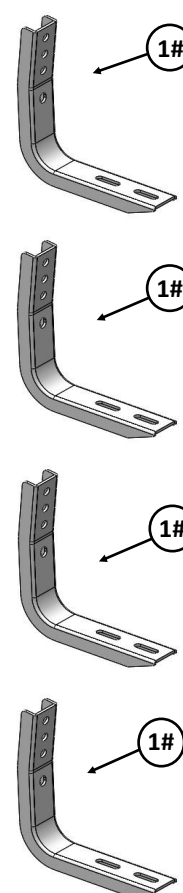
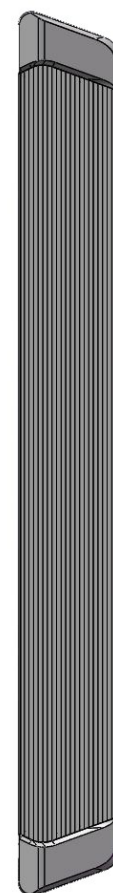
Driver



Front



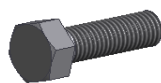
Passenger





### Hardware Package A (For Bracket Installation)

Item	QTY	Description	Item	QTY	Description
1#	8	Mounting Brackets	4#	8	M8 Nylon Lock Nuts
2#	8	M8X1.25-20mm Hex Bolts	5#	16	ST6.3-25mm Hex Flange Self Tapping Screws
3#	16	M8 Large Flat Washers			



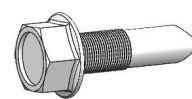
2 #



3 #



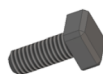
4 #



5 #

### Hardware Package B (For Step Bar Installation)

Item	QTY	Description	Item	QTY	Description
1#	16	M6X1-20mm Square Head Bolts	3#	16	M6 Nylon Lock Nuts
2#	16	M6 Large Flat Washers			



1#



2#



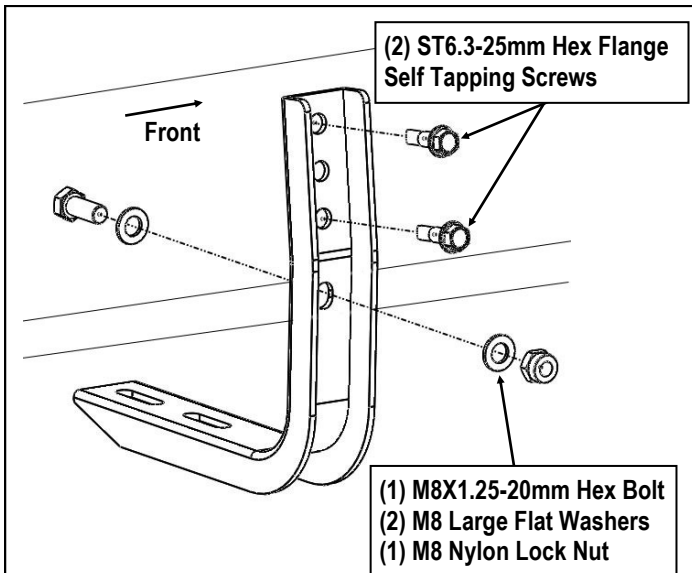
3#



## STEP 1

Starting on the Driver side of the vehicle. Attach (1) Mounting Bracket to the rocker panel with (2) ST6.3-25mm Hex Flange Self Tapping Screws per bracket (Fig 1). Don't fully tighten at this time.

**Note: (8) Mounting Brackets Are Universal.**



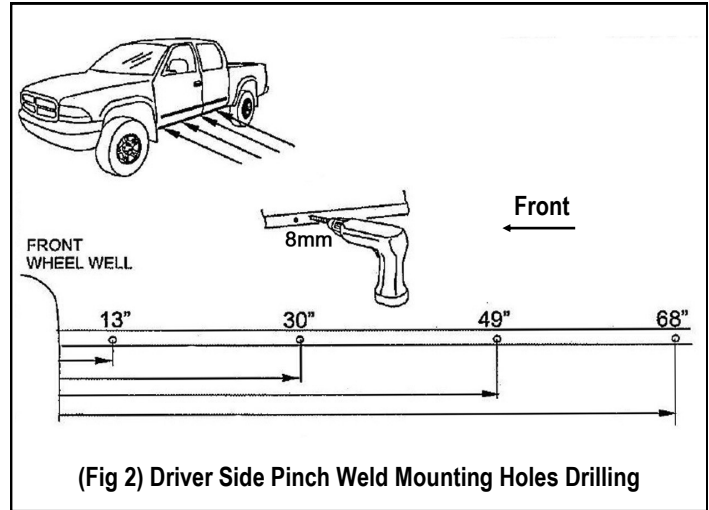
(Fig 1) Driver Side Mounting Bracket Installation Exemplified

## STEP 2

Use the Mounting Bracket as template, mark and drill (4) 8mm holes in pinch weld. If necessary, remove the brackets from the rocker panel for drilling (Fig 2). **Note: The dimensions on Fig 2 for reference only. It may be varied on some models.**

## STEP 3

Attach the Mounting Bracket onto the drilled holes on pinch weld with (1) M8X1.25-20mm Hex Bolt, (2) M8 Large Flat Washers and (1) M8 Nylon Lock Nut, (Fig 1). Don't fully tighten at this time.

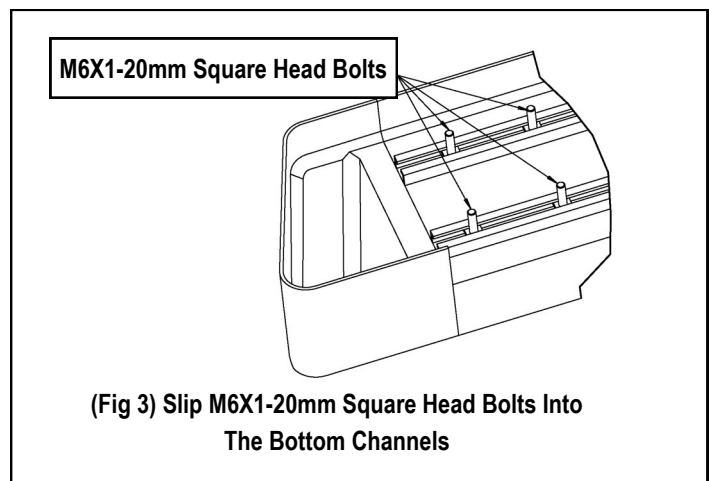


(Fig 2) Driver Side Pinch Weld Mounting Holes Drilling

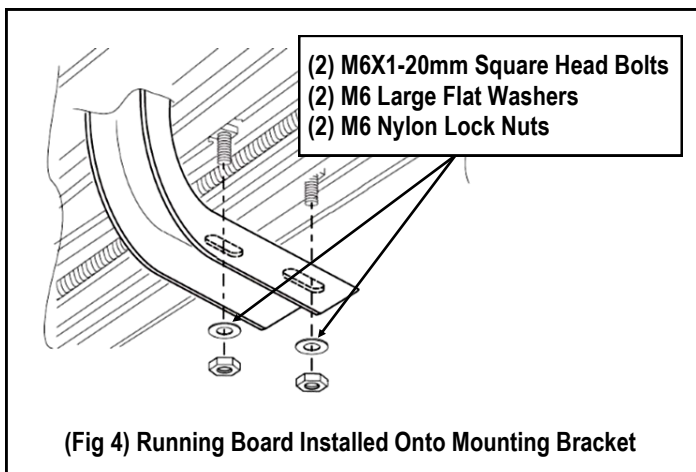
## STEP 4

Once all (4) mounting brackets are installed. Select a Running Board. Slip (4) M6X1-20mm Square Head Bolts into each bottom channel (Fig 3). Carefully position the Running Board onto the (4) Mounting Brackets. Attach the Running Board to each Mounting Bracket with (2) M6X1-20mm Square Head Bolts, (2) M6 Large Flat Washers and (2) M6 Nylon Lock Nuts (Fig 4). Do not fully tighten at this time.

**IMPORTANT:** Do not slide the Running Board on the Brackets or the bottom surface of the board will be damaged.



(Fig 3) Slip M6X1-20mm Square Head Bolts Into  
The Bottom Channels



## STEP 5

Level and adjust the Running Board and fully tighten all hardware.

**Important:** Please follow the recommended Tightening Torques shown in the table on page 1. Don't over tighten, or the nuts/bolts will be damaged.

## STEP 6

Repeat **Steps 1-5** for the other side Running Board installation. The installation is completed.

### Attention

Do periodic inspections to the installation to make sure that all hardware is secure and tight.

In order to protect your bars/boards, please use mild soap/non-abrasive products for cleaning only.