

# iBoard®

## iBoard® by APS

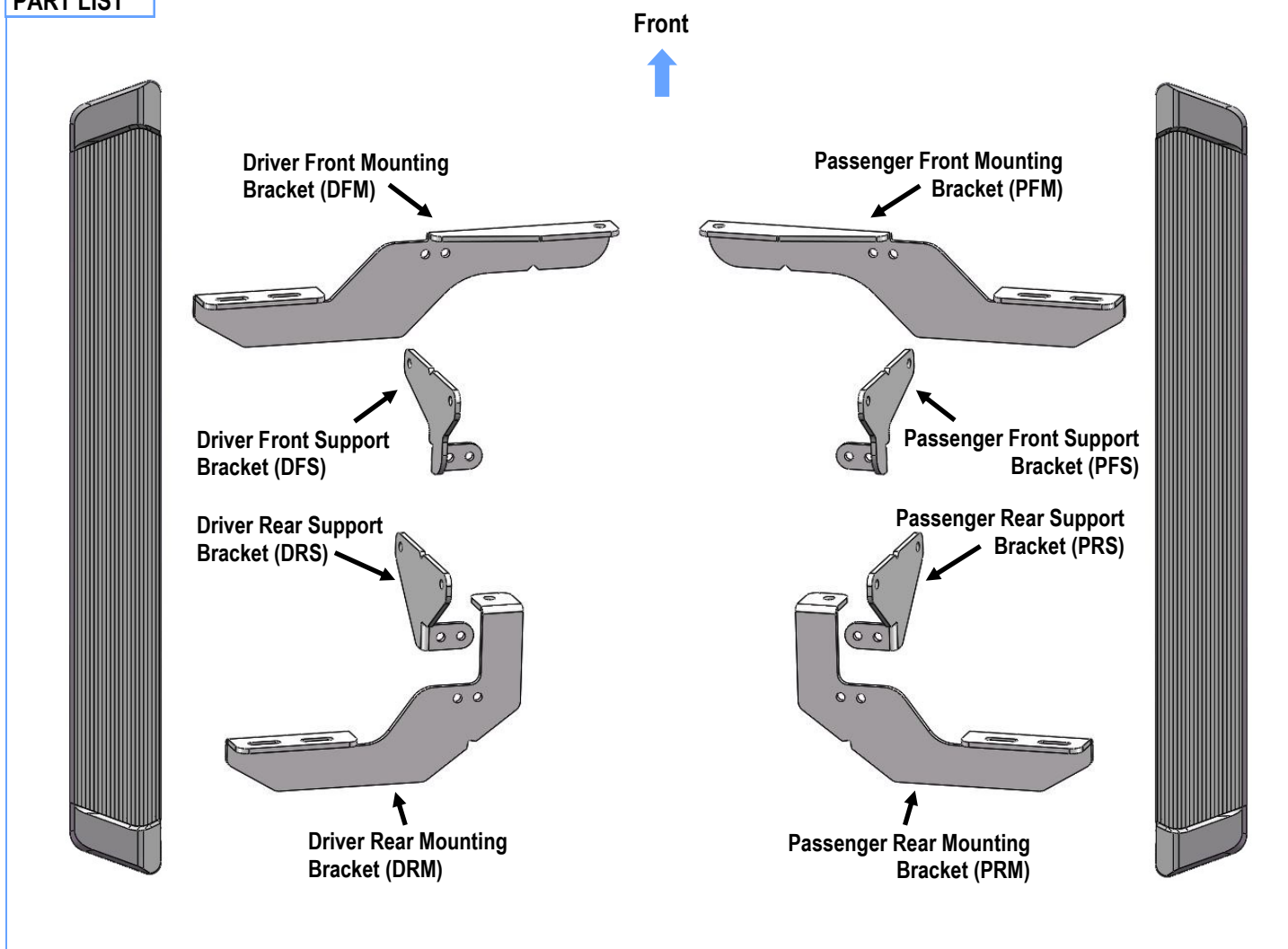
PART#: IB-R913

READ INSTRUCTIONS CAREFULLY BEFORE STARTING INSTALLATION. REMOVE CONTENTS FROM BOX AND VERIFY ALL PARTS ARE PRESENT. ASSISTANCE IS RECOMMENDED.

\*ROCKER PANEL MOUNT  
\*DRILLING IS REQUIRED

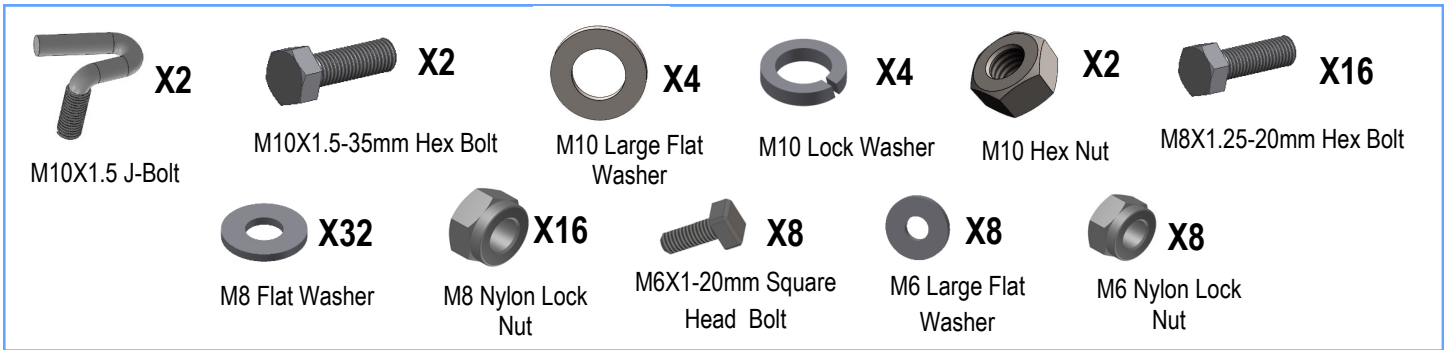
Fastener Size	Tightening Torque (ft-lbs)	Required
6mm	6-7	√
8mm	16-18	√
10mm	31-32	√
12mm	56-58	X
14mm	92-94	X

### PART LIST



Customer Support: [info@iboardauto.com](mailto:info@iboardauto.com)

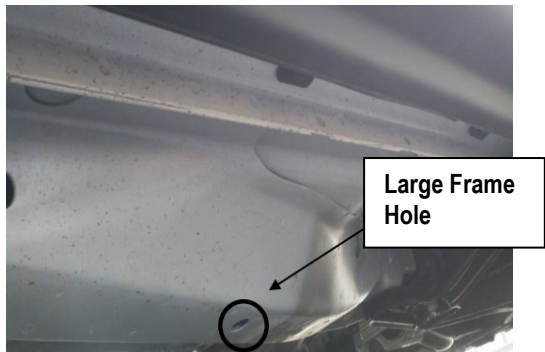
# iBoard®



## STEP 1

Starting from the driver front side of the vehicle. Install M10X1.5 J-Bolt in the large hole in the frame, (Figs 1-2).

**Note:** Dodge Durango requires pinch weld holes used for installation to be drilled out to 3/8" and one additional hole to be drilled through the pinch weld in the rear of the vehicle, (Figs 4-7).



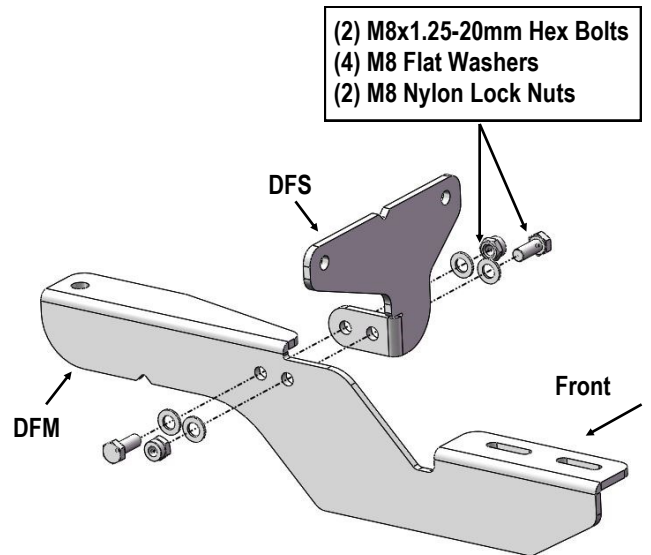
(Fig 1) Driver Side Front Mounting Location



(Fig 2) Insert The M10X1.5 J-Bolt

## STEP 2

Assemble Driver Front Mounting Bracket (DFM) and Driver Front Support Bracket (DFS) with (2) M8X1.25-20mm Hex Bolts, (4) M8 Flat Washers and (2) M8 Nylon Lock Nuts, (Fig 3). Do not fully tighten hardware at this time.

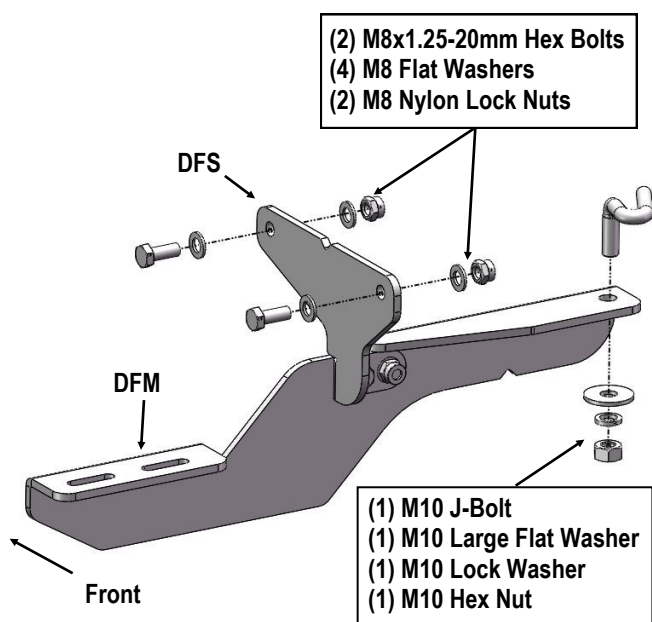
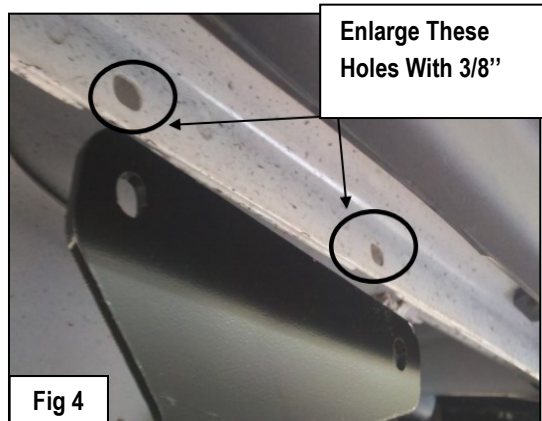


(Fig 3) Driver Side Front Brackets Assembly

# iBoard®

## STEP 3

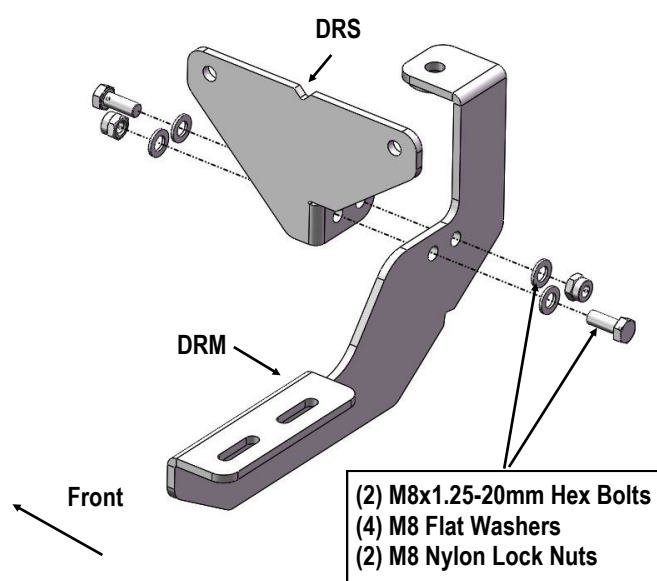
Install the Driver Front Mounting Bracket to installed M10 J-Bolt using (1) M10 Large Flat Washer, (1) M10 Lock Washer and (1) M10 Hex Nut. Secure the Front Support Bracket to the outside of the pinch weld using (2) M8X1.25-20mm Hex Bolts, (4) M8 Flat Washers and (2) M8 Nylon Lock Nuts, (**Figs 4-5**). Do not fully tighten hardware at this time.



(Fig 5) Driver Side Front Brackets Installation

## STEP 4

Move to the driver rear side of the vehicle. Assemble Driver Rear Mounting Bracket (**DRM**) and Driver Rear Support Bracket (**DRS**) with (2) M8X1.25-20mm Hex Bolts, (4) M8 Flat Washers and (2) M8 Nylon Lock Nuts, (**Fig 6**). Do not fully tighten hardware at this time.

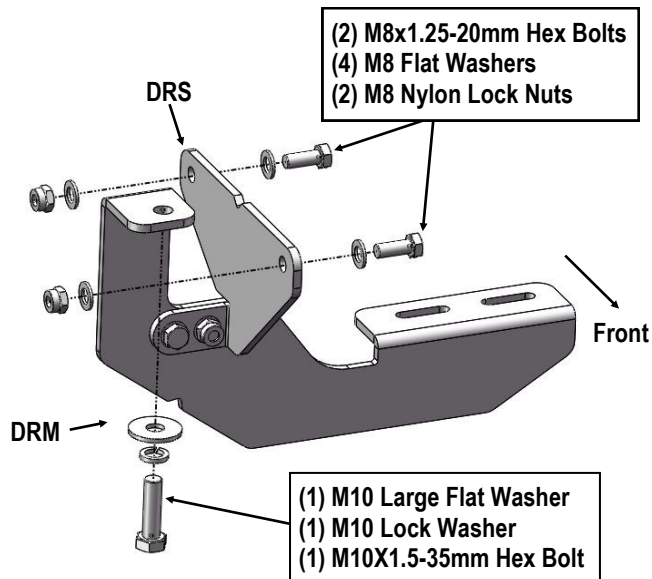
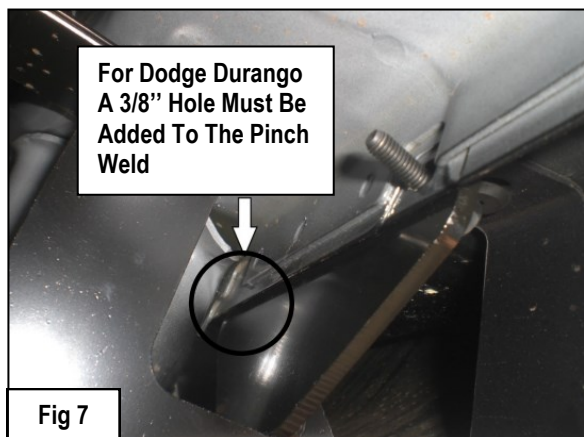


(Fig 6) Driver Side Rear Brackets Assembly

## STEP 5

Install Driver Rear Mounting Bracket with (1) M10X1.5-35mm Hex Bolt, (1) M10 Lock Washer and (1) M10 Large Flat Washer. Secure the Rear Support Bracket to the outside of the pinch weld using (2) M8X1.25-20mm Hex Bolts, (4) M8 Flat Washers and (2) M8 Nylon Lock Nuts, (**Fig 8**). Do not fully tighten hardware at this time.

# iBoard®



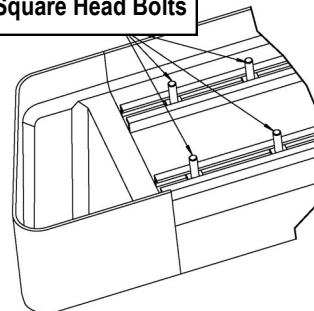
(Fig 8) Driver Side Rear Brackets Installation

## STEP 6

Select a Running Board. Slip (2) M6x1-20mm Square Head Bolts into each bottom channel (Fig 9). Carefully position the Running Board onto the (2) Mounting Brackets.

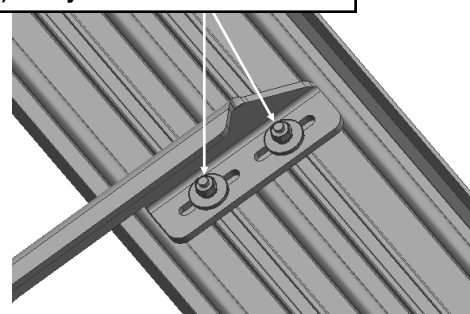
**IMPORTANT:** Do not slide the Running Board on the Brackets or the bottom surface of the board will be damaged. Attach the Running Board to each Mounting Bracket with (2) M6x1-20mm Square Head Bolts, (2) M6 Large Flat Washers and (2) M6 Nylon Lock Nuts (Fig 10). Do not fully tighten at this time.

M6X1-20mm Square Head Bolts



(Fig 9) Slip M6X1-20mm Square Head Bolts Into The Bottom Channels

(2) M6X1-20mm Square Head Bolts  
(2) M6 Large Flat Washers  
(2) M6 Nylon Lock Nuts



(Fig 10) Running Board Installed Onto Mounting Bracket

## STEP 7

Level and adjust the Running Board and fully tighten all hardware.  
Repeat **Steps 1-6** for the other side Running Board installation.  
The installation is completed

### Attention

**Do periodic inspections to the installation to make sure that all hardware is secure and tight.**

**In order to protect your bars/boards, please use only mild soap/non-abrasive products for cleaning.**