

iBoard®



Scan for Installation Video

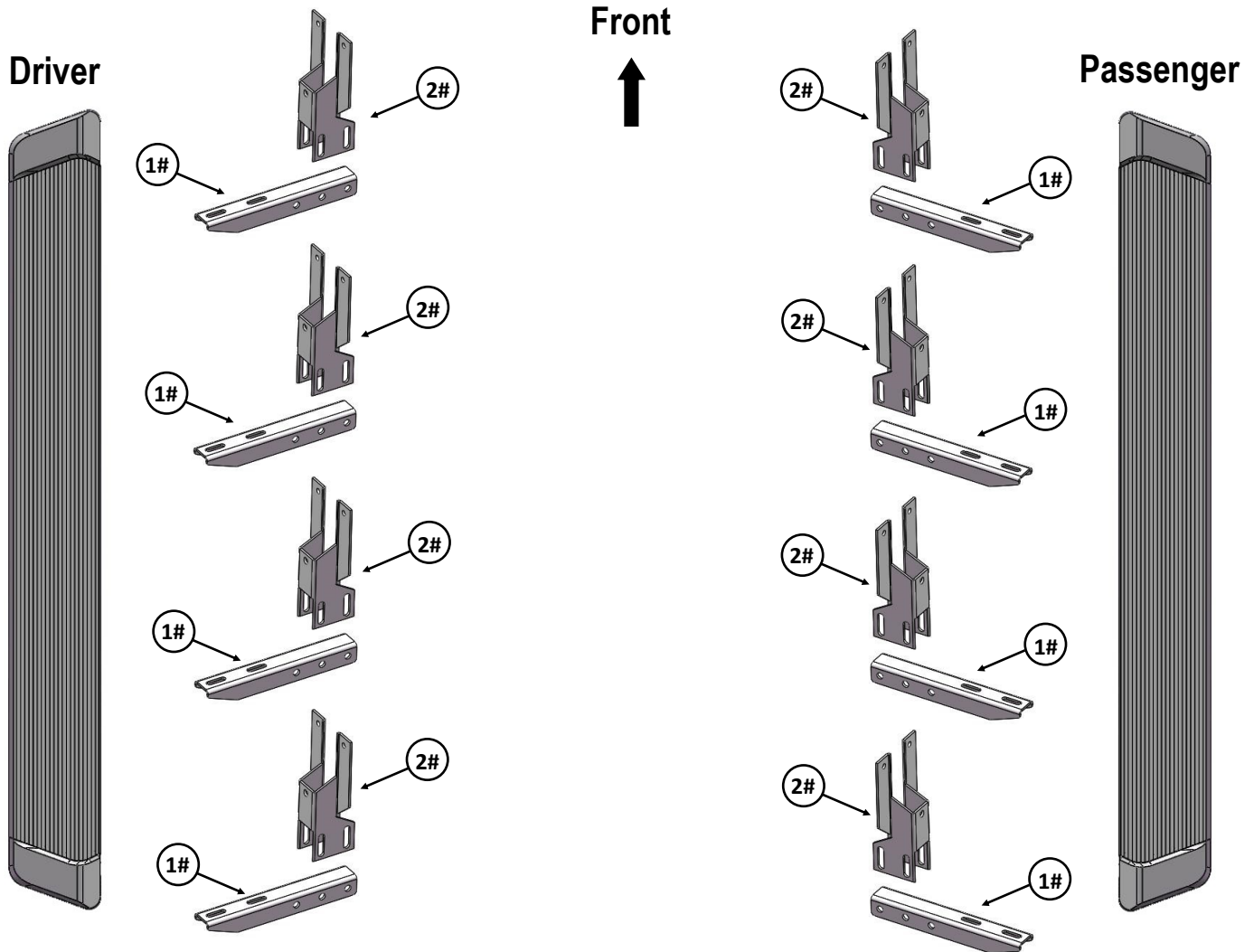
iBoard® by APS

PART#: IB-R911

READ INSTRUCTIONS CAREFULLY BEFORE STARTING INSTALLATION. REMOVE CONTENTS FROM BOX AND VERIFY ALL PARTS ARE PRESENT. ASSISTANCE IS RECOMMENDED.

*ROCKER PANEL MOUNT
*DRILLING IS REQUIRED

Fastener Size	Tightening Torque (ft-lbs)	Required
6mm	6-7	√
8mm	16-18	√
10mm	31-32	X
12mm	56-58	X
14mm	92-94	X



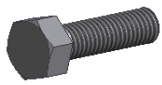
Customer Support: info@iboardauto.com



Scan for
Installation Video

Hardware Package A (For Bracket Installation)

Item	QTY	Description	Item	QTY	Description
1#	8	Mounting Brackets	5#	32	M8 Large Flat Washers
2#	8	Bar Brackets	6#	32	M8X1.25 Hex Flange Nuts
3#	40	M8X1.25-20mm Hex Bolts	7#	8	M8X1.25 Nylon Lock Nuts
4#	16	M8 Flat Washers	8#	16	ST6.3-22 Hex Self Tapping Screws



3#



4#



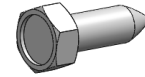
5#



6#



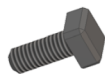
7#



8#

Hardware Package B (For Step Bar Installation)

Item	QTY	Description	Item	QTY	Description
1#	16	M6X1-20mm Square Head Bolts	3#	16	M6 Nylon Lock Nuts
2#	16	M6 Large Flat Washers			



1#



2#

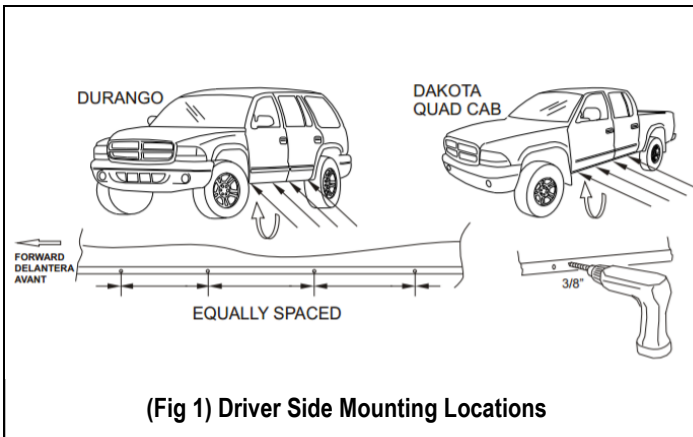


3#



STEP 1

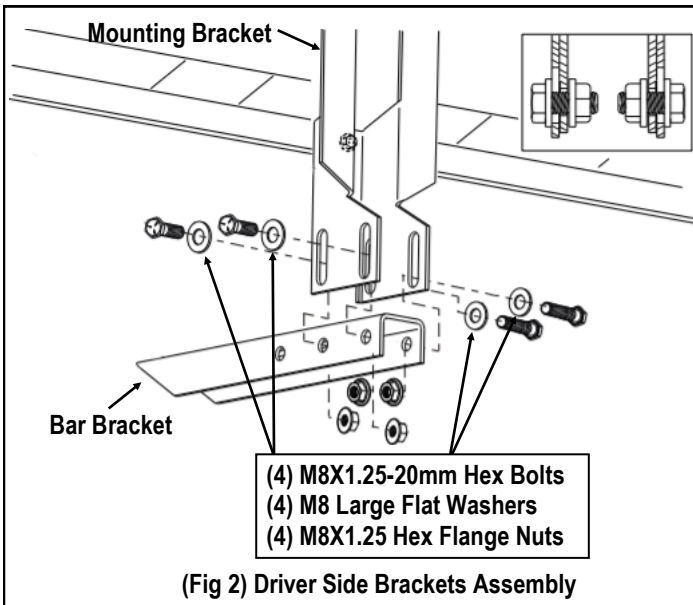
Start the installation under the driver side of the vehicle. Drill (4) M8 holes in pinch weld as shown, (Fig 1).



STEP 2

Assemble Mounting Bracket and Bar Bracket with (4) M8X1.25-20mm Hex Bolts, (4) M8 Large Flat Washers and (4) M8X1.25 Hex Flange Nuts, (Figs 2 & 4). Do not fully tighten hardware at this time.

Note: All Mounting Brackets are universal. All Bar Brackets are universal.

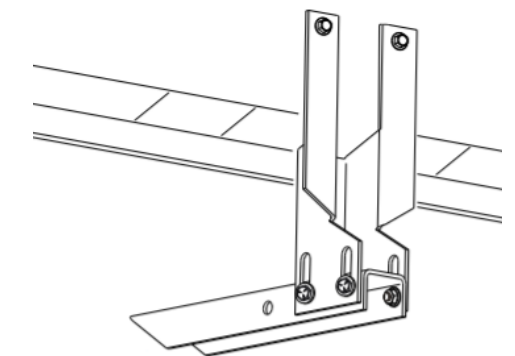
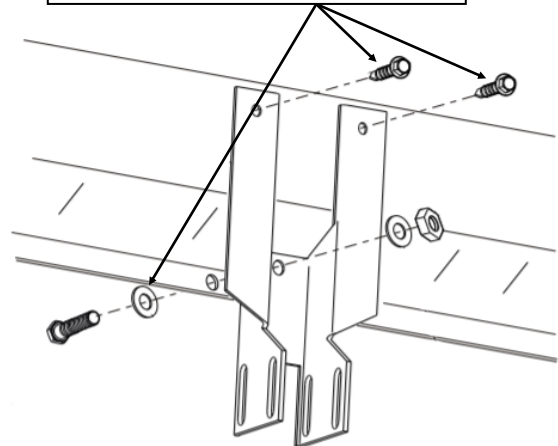


STEP 3

Attach the assembled Brackets to the 5/8" drilled holes on pinch with (1) M8X1.25-20mm Hex Bolt, (2) M8 Flat Washers and (1) M8X1.25 Nylon Lock Nut, (Figs 3 & 4).

Mark and drill (2) 5mm holes on body panel for each Mounting Bracket. And then, secure the Mounting Brackets to the body panel with (2) ST6.3-22 Hex Self Tapping Screws for each bracket.

- (2) ST6.3-22 Hex Self Tapping Screws
- (1) M8X1.25-20mm Hex Bolt
- (2) M8 Flat Washers
- (1) M8X1.25 Nylon Lock Nut



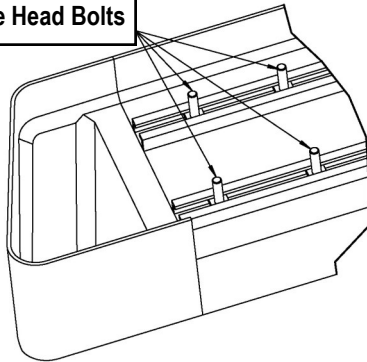


STEP 4

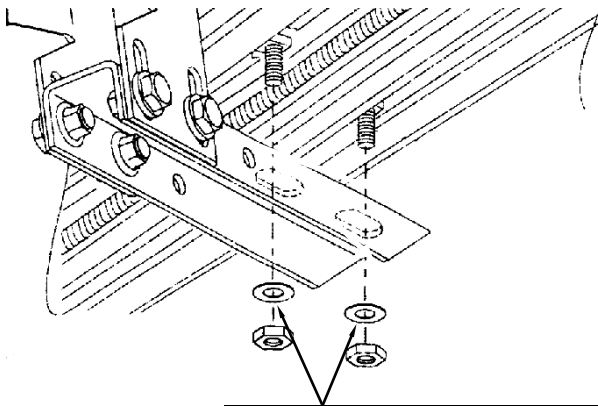
Once all (4) mounting brackets are installed. Select a Running Board. Slide (4) M6X1-20mm Square Head Bolts into each bottom channel (**Fig 5**). Carefully position the Running Board onto the (4) Mounting Brackets. Attach the Running Board to Mounting Bracket with (2) M6X1-20mm Square Head Bolts, (2) M6 Large Flat Washers and (2) M6X1 Nylon Lock Nuts (**Fig 6**). Do not fully tighten at this time.

IMPORTANT: Do not slide the Running Board on the Brackets or the bottom surface of the board will be damaged.

M6X1-20mm Square Head Bolts



(Fig 5) Slide M6X1-20mm Square Head Bolts Into The Bottom Channels



(2) M6X1-20mm Square Head Bolts
(2) M6 Large Flat Washers
(2) M6X1 Nylon Lock Nuts

(Fig 6) Running Board Installed Onto Mounting Bracket

STEP 5

Level and adjust the Running Board and fully tighten all hardware.

Important: Please follow the recommended Tightening Torques shown in the table on page 1. Don't over tighten, or the nuts/bolts will be damaged.

STEP 6

Repeat **Steps 1-5** for the other side Running Board installation. The installation is completed .

Attention

Do periodic inspections to the installation to make sure that all hardware is secure and tight.

In order to protect your bars/boards, please use mild soap/non-abrasive products for cleaning only.