



## iBoard® by APS

PART#: IB-006C&H

READ INSTRUCTIONS CAREFULLY BEFORE STARTING INSTALLATION. REMOVE CONTENTS FROM BOX AND VERIFY ALL PARTS ARE PRESENT. ASSISTANCE IS RECOMMENDED.

\*BODY FRAME MOUNT  
\*DRILLING MAYBE REQUIRED

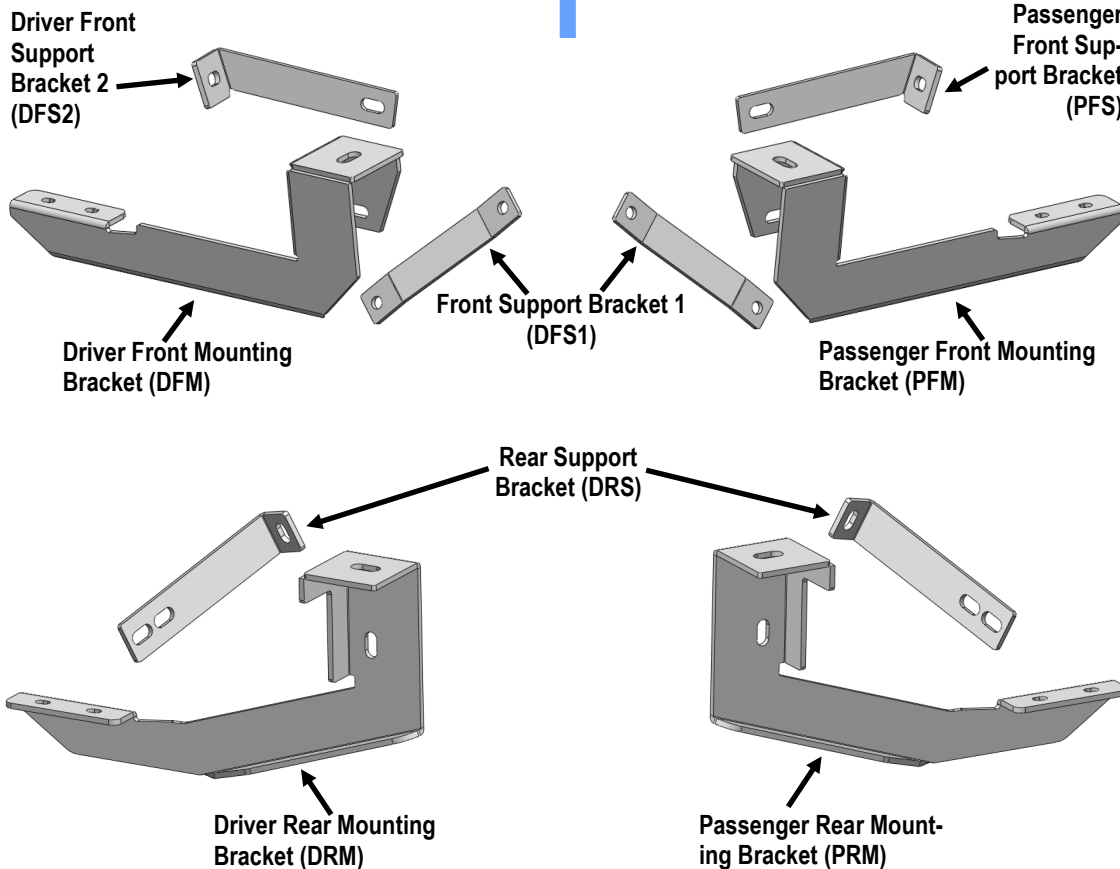
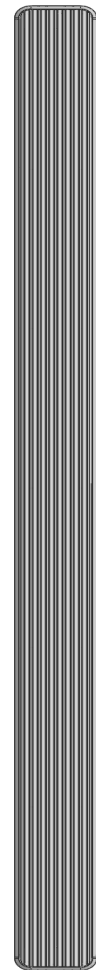
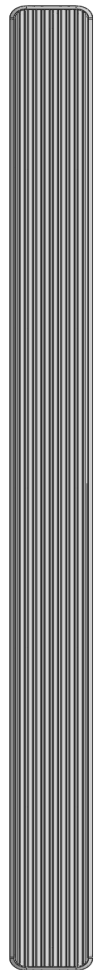
Fastener Size	Tightening Torque (ft-lbs)	Required
6mm	6-7	X
8mm	16-18	√
10mm	31-32	√
12mm	56-58	√
14mm	92-94	X

### PART LIST

#### Driver Side Step Bar

Front

#### Passenger Side Step Bar





## Hardware Package A (For Bracket Installation)

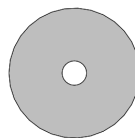
Item	QTY	Description	Item	QTY	Description
1#	4	Spacer Plates	6#	4	M12 Lock Washers
2#	4	M10X40 Bolt Plates	7#	6	M10X1.5-30mm Hex Bolts
3#	4	M10 Plastic Washers	8#	16	M10 Large Flat Washers
4#	4	M12X1.75-120mm Hex Bolts	9#	10	M10 Lock Washers
5#	4	M12 Large Flat Washers	10#	10	M10 Hex Nuts



1#



2#



3#



4#



5#



6#



7#



8#



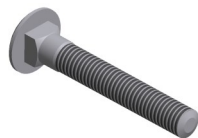
9#



10#

## Hardware Package B (For Stainless Steel Step Bar Installation)

Item	QTY	Description	Item	QTY	Description
1#	8	M8X1.25-35mm Carriage Bolts	3#	8	M8 Nylon Lock Nuts
2#	8	M8 Large Flat Washers	4#	4	Sliders (Packed with Step Bars)



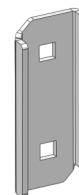
1 #



2 #



3 #



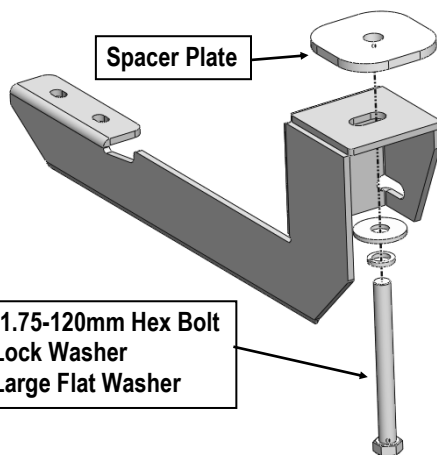
4 #



## STEP 1

Start installation from the driver side front of the vehicle. Remove the factory body mount bolt. The rubber bushing will be reused. Select (1) Driver Front Mounting Bracket (**DFM**), install with (1) Spacer Plate, (1) M12X1.75-120mm Hex Bolt, (1) M12 Large Flat Washer and (1) M12 Lock Washer, (**Fig 1**). Do not fully tighten hardware at this time.

**Note:** Put the spacer Plate between the Mounting Bracket and the factory rubber bushing.



(Fig 1) Driver Front Mounting Bracket (DFM) Installation

## STEP 2

Next, select the correct Front Support Bracket for your application.

### 2002-2005 Models:

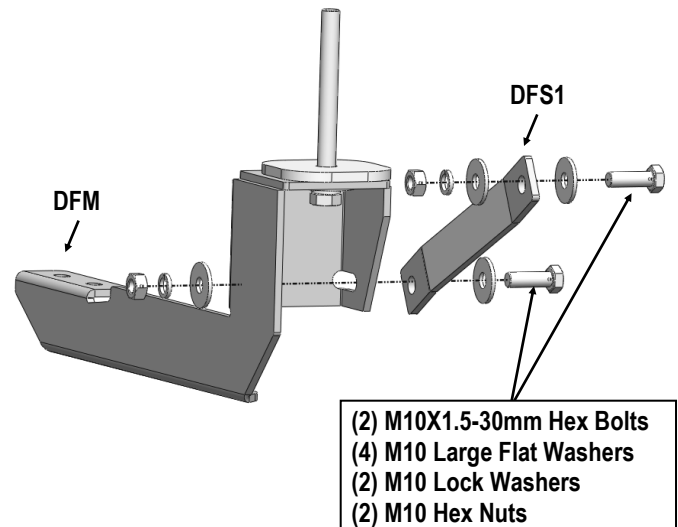
Select the Driver Front Support Bracket 1 (**DFS1**) with the straight 2-hole. Attach one end to the Driver Front Mounting Bracket (**DFM**) with (1) M10X1.5-30mm Hex Bolt, (2) M10 Large Flat Washers, (1) M10 Lock Washer and (1) M10 Hex Nut, (**Fig 3**). Do not fully tighten hardware at this time.

Line up the other end of the support bracket with the hole on the factory body mount bracket. Bolt the Support Bracket to the body mount bracket with (1) M10X1.5-30mm Hex Bolt, (2) M10 Large Flat Washers, (1) M10 Lock Washer and (1) M10 Hex Nut, (**Fig 3**). Do not fully tighten hardware at this time.

**NOTE:** Some models may require to drill a mounting hole on the

factory body mount bracket if not equipped.

**IMPORTANT!** Any cutting or drilling tool may break or shatter. Government regulations require safety glasses & equipment at all times when cutting or drilling.

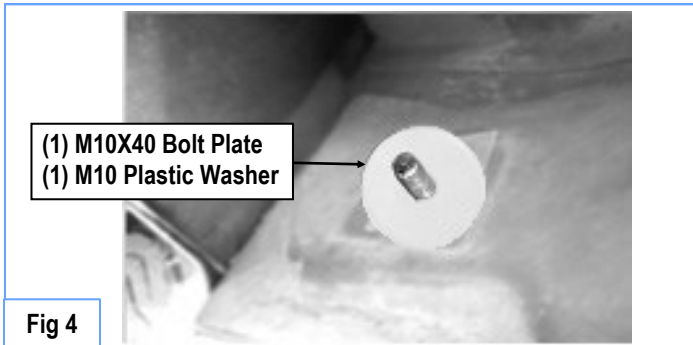


(Fig 3) Driver Front Support 1 Bracket (DFS1) Installation  
(For 2002-2005 Models)

### 2006-2008 Models:

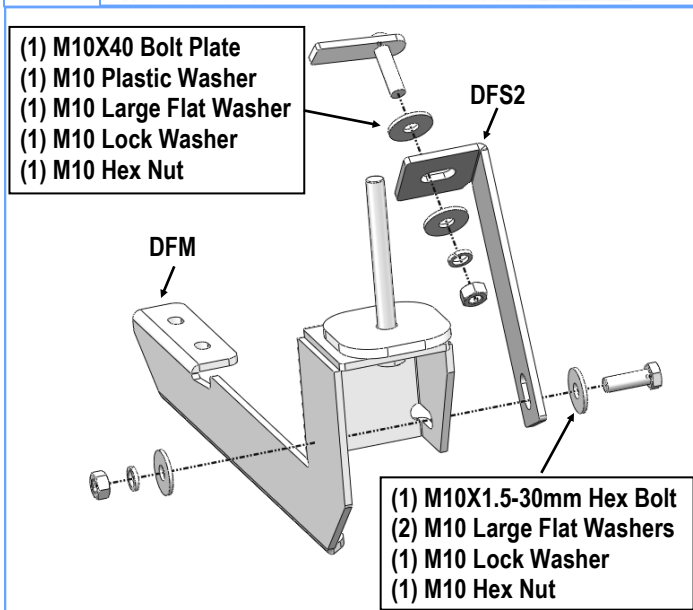
Select the Driver Front Support Bracket 2 (**DFS2**). Remove the sealing tape on the mounting location on the body panel. Partially thread (1) M10 Plastic Washer onto (1) M10X40 Bolt Plate. Insert the M10 Bolt Plate into the mounting hole and thread the M10 Plastic Washer down against the body panel to hold the bolt plate in place. **NOTE:** The M10 Plastic Washer is designed to prevent the M10 Bolt Plate from falling into the body cavity within bracket installation.

Secure the short end of Support Bracket 2 to the installed M10 Bolt Plate with (1) M10 Large Flat Washer, (1) M10 Lock Washer and (1) M10 Hex Nut. Attach the long end of the Support Bracket to the Mounting Bracket with (1) M10X1.5-30mm Hex Bolt, (2) M10 Large Flat Washers, (1) M10 Lock Washer and (1) M10 Hex Nut, (**Fig 5**). Do not fully tighten hardware at this time.



- (1) M10X40 Bolt Plate
- (1) M10 Plastic Washer

Fig 4



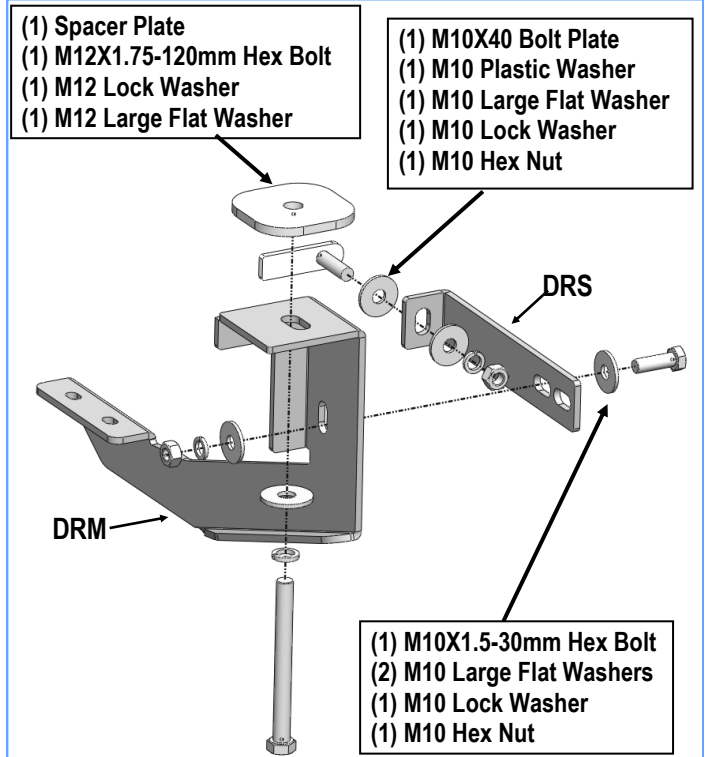
- (1) M10X40 Bolt Plate
- (1) M10 Plastic Washer
- (1) M10 Large Flat Washer
- (1) M10 Lock Washer
- (1) M10 Hex Nut

- (1) M10X1.5-30mm Hex Bolt
- (2) M10 Large Flat Washers
- (1) M10 Lock Washer
- (1) M10 Hex Nut

(Fig 5) Driver Front Support Bracket 2 (DFS2) Installation  
(For 2006-2008 Models)

Flat Washer, (1) M10 Lock Washer and (1) M10 Hex Nut. Attach the Support Bracket to the front-facing side of the Mounting Bracket with (1) M10X1.5-30mm Hex Bolt, (2) M10 Large Flat Washers, (1) M10 Lock Washer and (1) M10 Hex Nut, (Fig 6). Do not fully tighten hardware at this time.

**NOTE:** The Driver Rear Support Bracket is not required on the Regular Cab models.



- (1) Spacer Plate
- (1) M12X1.75-120mm Hex Bolt
- (1) M12 Lock Washer
- (1) M12 Large Flat Washer

- (1) M10X40 Bolt Plate
- (1) M10 Plastic Washer
- (1) M10 Large Flat Washer
- (1) M10 Lock Washer
- (1) M10 Hex Nut

- (1) M10X1.5-30mm Hex Bolt
- (2) M10 Large Flat Washers
- (1) M10 Lock Washer
- (1) M10 Hex Nut

(Fig 6) Driver Rear Side Mounting Bracket Installation

## STEP 3

Move to Driver Side Rear Mounting Location. Repeat **Step 2** for the Driver Rear Mounting Bracket (DRM) installation, (Fig 6).

Next, select the Driver Rear Support Bracket (DRS), (90-degree bend on one end). Remove the sealing tape on the inner body panel to uncover the mounting location. Partially thread (1) M10 Plastic Washer onto (1) M10X40 Bolt Plate. Insert the M10 Bolt Plate into the mounting hole and thread the M10 Plastic Washer down until it is flush against the body panel, (Fig 6).

Secure the Support Bracket to the M10 Bolt Plate with (1) M10

## STEP 4

Once all (2) Driver side mounting brackets are installed, then proceed to the Step Bar installation. (Figs 7 & 8)

- (1) Select (1) Slider and (2) M8X1.25-35mm Carriage Bolts;
- (2) Install (2) M8X1.25-35mm Carriage Bolts in (1) Slider.
- (3) Slide the Slider (with carriage bolts) to the **Step Bar**.
- (4) Repeat to install the other (1) slider to the step bar.
- (5) Attach the Step Bar (with the Sliders) onto the installed



mounting brackets. Position the Sliders to the installed brackets. Secure the Step Bar to the installed Brackets by using (4) M8 Large Flat Washers and (4) M8 Nylon Lock Nuts and (2) Sliders, (**Fig 8**). Do not fully tighten hardware at this time.

**Note:** The Sliders are packed with the Step Bars.

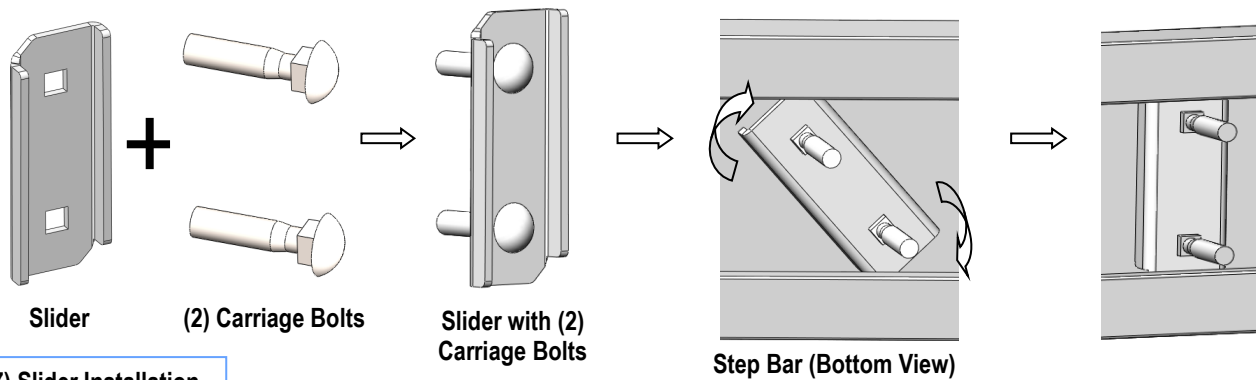
Level and adjust the Step Bar and fully tighten all hardware.

Repeat **Steps 1-4** for the other side Step Bar installation. **The installation is completed!!!**

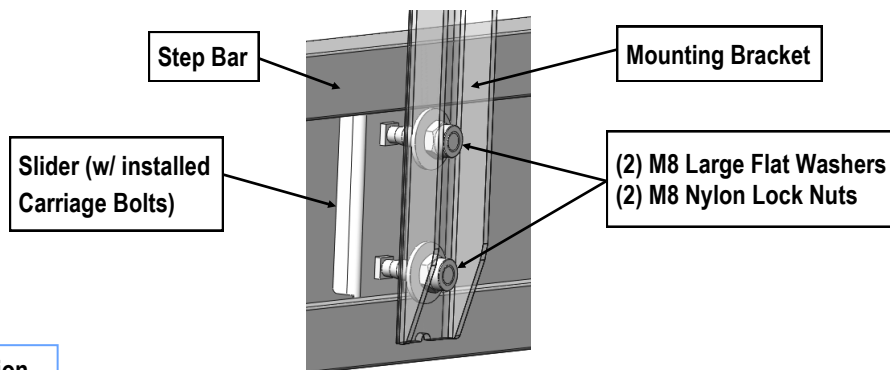
### Attention

**Do periodic inspections to the installation to make sure that all hardware is secure and tight.**

**In order to protect your bars/boards, please use mild soap/non-abrasive products for cleaning only.**



(Fig 7) Slider Installation



(Fig 8) Step Bar Installation