

iBoard®

iBoard® by APS

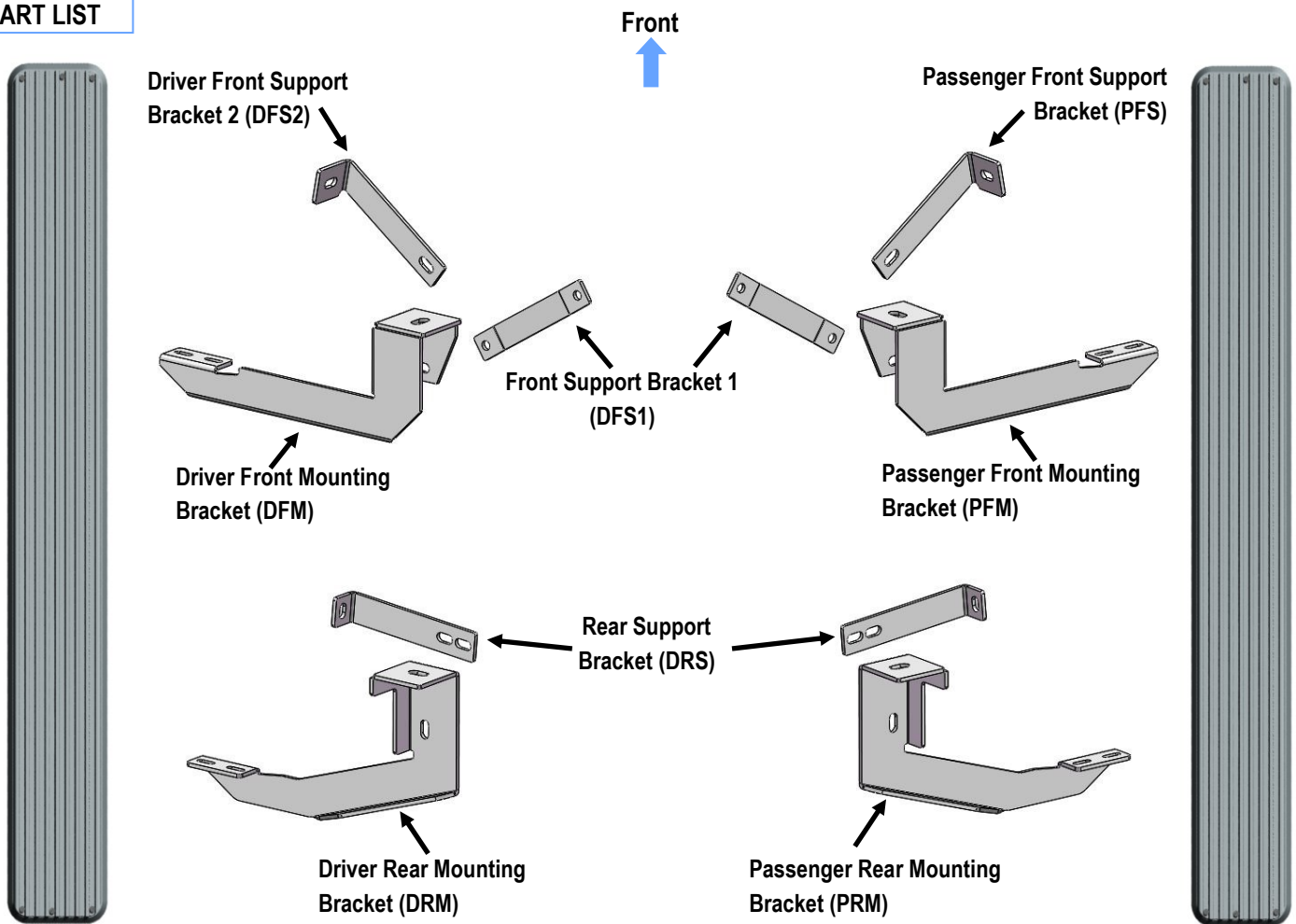
PART#: IB-006A-B

READ INSTRUCTIONS CAREFULLY BEFORE STARTING INSTALLATION. REMOVE CONTENTS FROM BOX AND VERIFY ALL PARTS ARE PRESENT. ASSISTANCE IS RECOMMENDED.

***BODY FRAME MOUNT
*DRILLING MAY BE REQUIRED**

Fastener Size	Tightening Torque (ft-lbs)
6mm	6-7
8mm	16-18
10mm	31-32
12mm	56-58
14mm	92-94

PART LIST



Customer Support: info@iboardauto.com

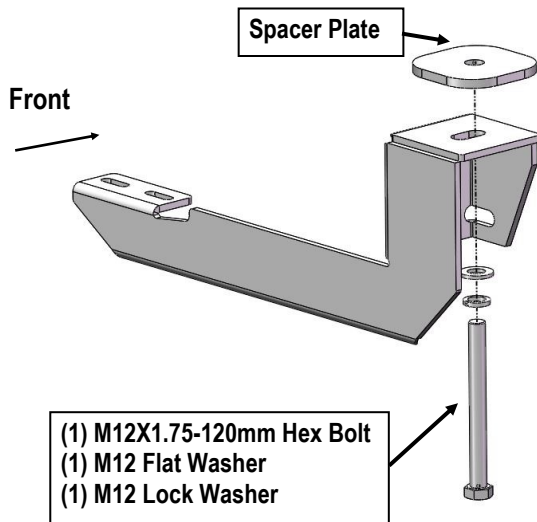
iBoard®



STEP 1

Start installation from the driver side front of the vehicle. Remove the factory body mount bolt. The rubber bushing will be reused. Select (1) Driver Front Mounting Bracket (DFM), install with (1) Spacer Plate, (1) M12X1.75-120mm Hex Bolt, (1) M12 Flat Washer and (1) M12 Lock Washer, (Fig 1). Do not fully tighten hardware at this time.

Note: Put the spacer Plate between the Mounting Bracket and the factory rubber bushing.



(Fig 1) Driver Front Mounting Bracket (DFM) Installation

STEP 2

Next, select the correct Front Support Bracket for your application.

2002-2005 Models:

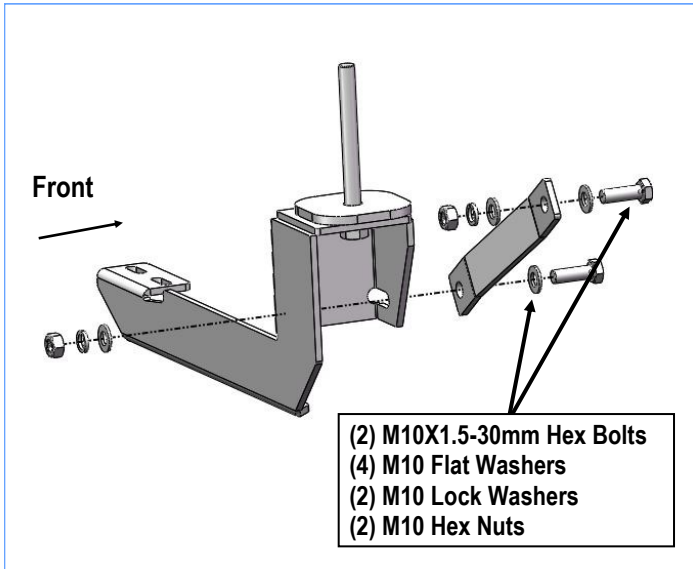
Select the Driver Front Support Bracket 1 (DFS1) with the straight 2-hole. Attach one end to the Driver Front Mounting Bracket (DFM) with (1) M10X1.5-30mm Hex Bolt, (2) M10 Flat Washers, (1) M10 Lock Washer and (1) M10 Hex Nut, (Fig 3). Do not fully tighten hardware at this time.

Line up the other end of the support bracket with the hole on the factory body mount bracket. Bolt the Support Bracket to the body mount bracket with (1) M10X1.5-30mm Hex Bolt, (2) M10 Flat Washers, (1) M10 Lock Washer and (1) M10 Hex Nut, (Fig 3). Do not fully tighten hardware at this time.

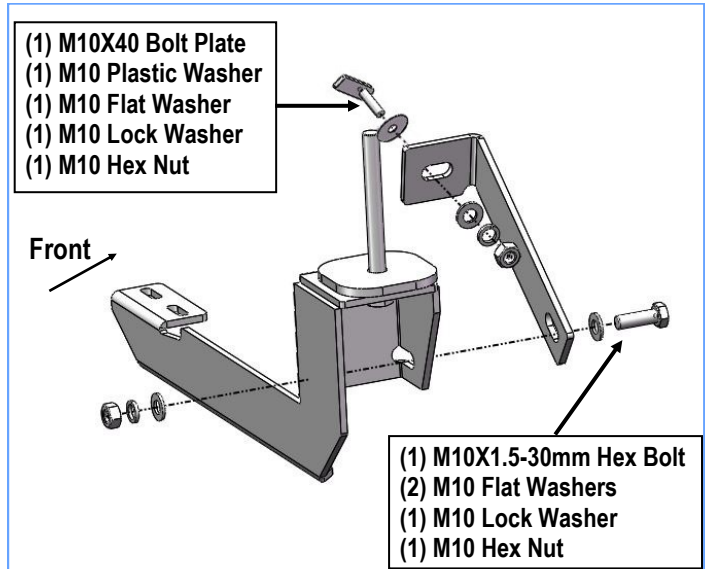
NOTE: Some models may require to drill a mounting hole on the factory body mount bracket if not equipped.

IMPORTANT! Any cutting or drilling tool may break or shatter. Government regulations require safety glasses & equipment at all times when cutting or drilling.

iBoard®



(Fig 3) Driver Front Support 1 Bracket (DFS1) Installation
(For 2002-2005 Models)

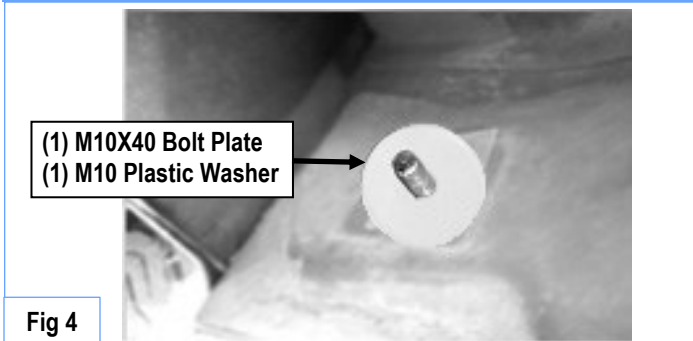


(Fig 5) Driver Front Support Bracket 2 (DFS2) Installation
(For 2006-2008 Models)

2006-2008 Models:

Select the Driver Front Support Bracket 2 (**DFS2**). Remove the sealing tape on the mounting location on the body panel. Partially thread (1) M10 Plastic Washer onto (1) M10X40 Bolt Plate. Insert the M10 Bolt Plate into the mounting hole and thread the M10 Plastic Washer down against the body panel to hold the bolt plate in place. **NOTE:** The M10 Plastic Washer is designed to prevent the M10 Bolt Plate from falling into the body cavity within bracket installation.

Secure the short end of Support Bracket 2 to the installed M10 Bolt Plate with (1) M10 Flat Washer, (1) M10 Lock Washer and (1) M10 Hex Nut. Attach the long end of the Support Bracket to the Mounting Bracket with (1) M10X1.5-30mm Hex Bolt, (2) M10 Flat Washers, (1) M10 Lock Washer and (1) M10 Hex Nut, (**Fig 5**). Do not fully tighten hardware at this time.



STEP 3

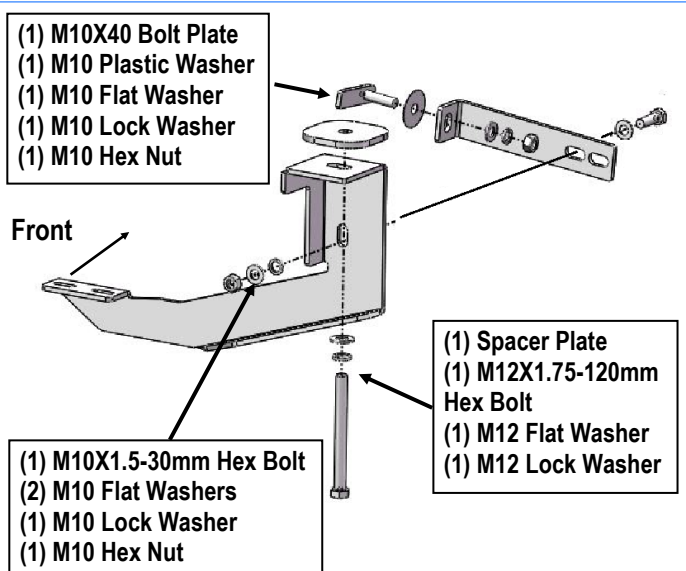
Move to Driver Side Rear Mounting Location. Repeat **Step 2** for the Driver Rear Mounting Bracket (**DRM**) installation, (**Fig 6**).

Next, select the Driver Rear Support Bracket (**DRS**), (90-degree bend on one end). Remove the sealing tape on the inner body panel to uncover the mounting location. Partially thread (1) M10 Plastic Washer onto (1) M10X40 Bolt Plate. Insert the M10 Bolt Plate into the mounting hole and thread the M10 Plastic Washer down until it is flush against the body panel, (**Fig 6**).

Secure the Support Bracket to the M10 Bolt Plate with (1) M10 Flat Washer, (1) M10 Lock Washer and (1) M10 Hex Nut. Attach the Support Bracket to the front-facing side of the Mounting Bracket with (1) M10X1.5-30mm Hex Bolt, (2) M10 Flat Washers, (1) M10 Lock Washer and (1) M10 Hex Nut, (**Fig 6**). Do not fully tighten hardware at this time.

NOTE: The Driver Rear Support Bracket is not required on the Regular Cab models.

iBoard®



(Fig 6) Driver Rear Side Mounting Bracket Installation

STEP 4

Select a Running Board. Slip (2) M6X1-20mm Square Head Bolts into each bottom channel (Fig 7). Carefully position the Running Board onto the (2) Mounting Brackets.

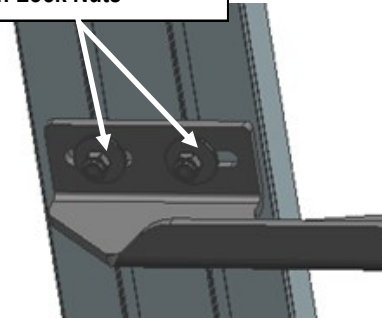
IMPORTANT: Do not slide the Running Board on the Brackets or the bottom surface of the board will be damaged. Attach the Running Board to each Mounting Bracket with (2) M6x1-20mm Square Head Bolts, (2) M6 Large Flat Washers and (2) M6 X1 Nylon Lock Nuts (Fig 8). Do not fully tighten at this time.

Level and adjust the Running Board and fully tighten all hardware.



(Fig 7) Slip M6X1-20mm Square Head Bolts Into The Bottom Channels

- (2) M6X1-20mm Square Head Bolts
- (2) M6 Large Flat Washers
- (2) M6X1 Nylon Lock Nuts



(Fig 8) Running Board Installed Onto the Mounting Bracket

STEP 5

Repeat **Steps 1-4** for other side Running Board installation. The installation is completed (Fig 9).



(Fig 9) Installation Completed

Attention

Do periodic inspections to the installation to make sure that all hardware is secure and tight.

In order to protect your bars/boards, please use only mild soap/non-abrasive products for cleaning.