

iBoard®



Scan for
Installation Video

iBoard® by APS

PART#: IB-048C&H

READ INSTRUCTIONS CAREFULLY BEFORE STARTING INSTALLATION. REMOVE CONTENTS FROM BOX AND VERIFY ALL PARTS ARE PRESENT. ASSISTANCE IS RECOMMENDED.

*BODY FRAME MOUNT
*NO DRILLING REQUIRED

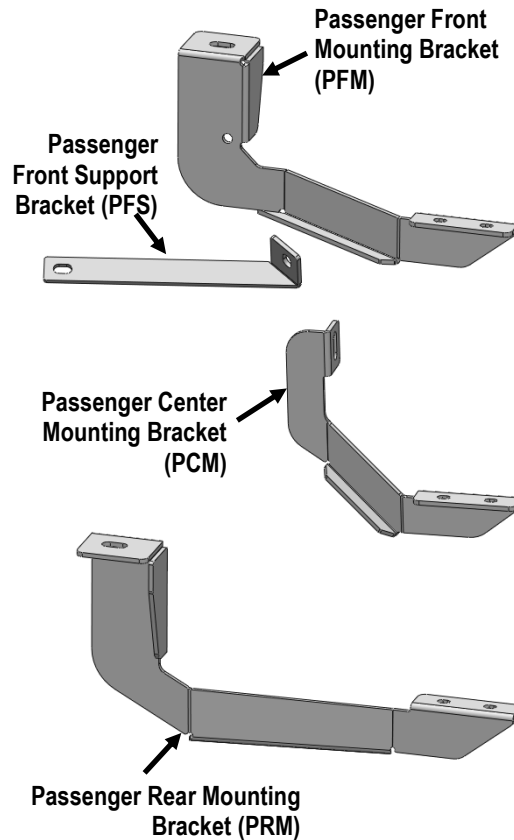
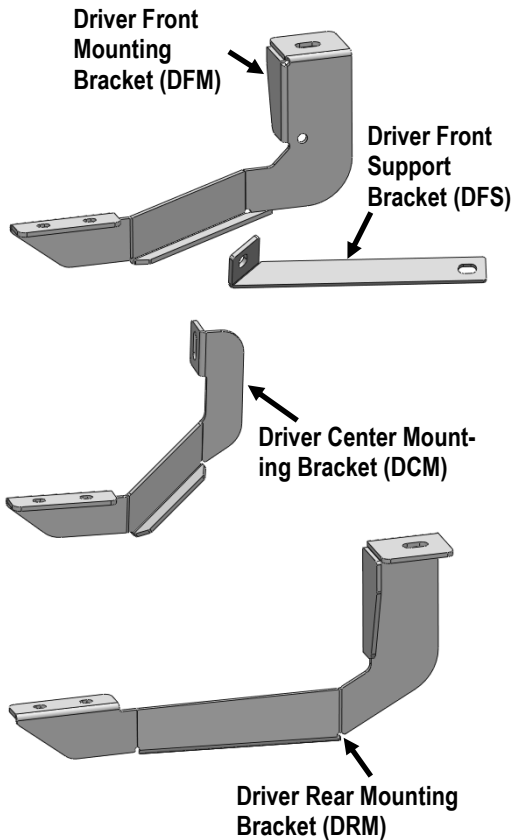
Fastener Size	Tightening Torque (ft-lbs)	Required
6mm	6-7	X
8mm	16-18	√
10mm	31-32	√
12mm	56-58	√
14mm	92-94	X

PART LIST

Driver Side Step Bar

Front

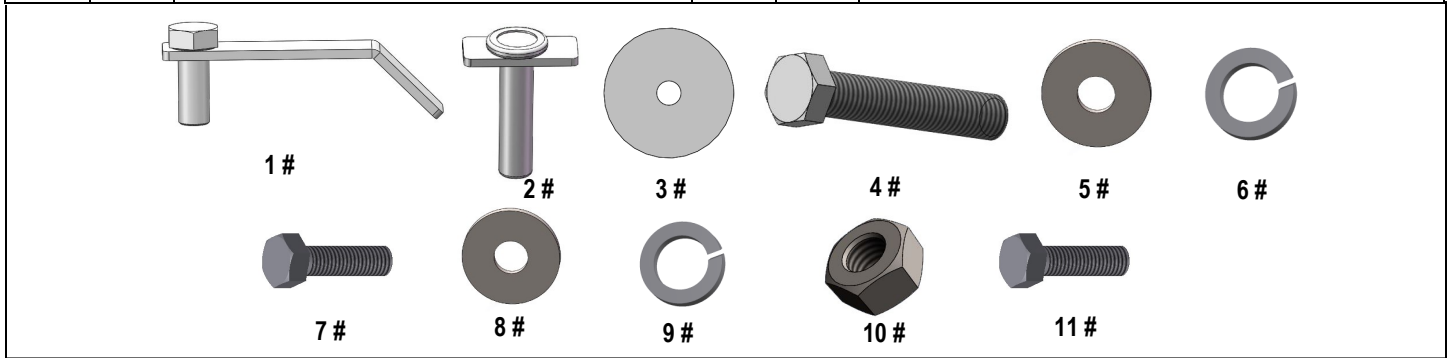
Passenger Side Step Bar



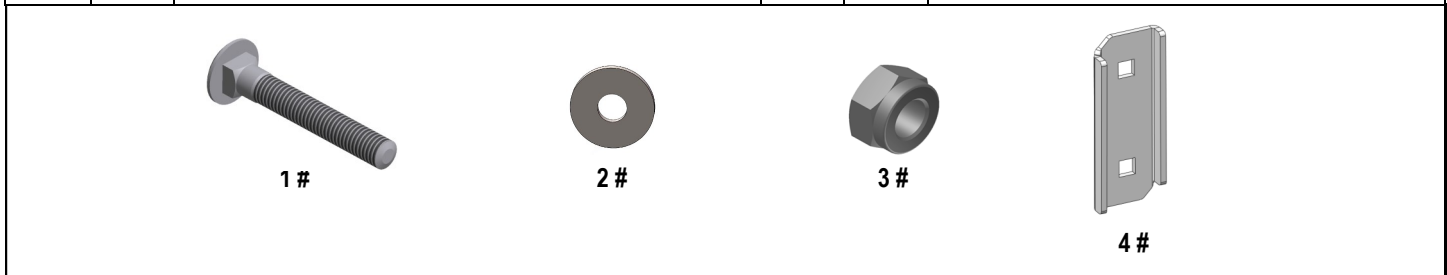
Customer Support: info@iboardauto.com



Hardware Package A (For Bracket Installation)					
Item	QTY	Description	Item	QTY	Description
1#	2	M10X25 Bolt Plates	6#	4	M12 Lock Washers
2#	2	M10X35 Bolt Plates	7#	2	M10X1.5-30mm Hex Bolts
3#	2	M10 Plastic Washers	8#	8	M10 Flat Washers
4#	4	M12X1.75-120mm Hex Bolts	9#	6	M10 Lock Washers
5#	8	M12 Large Flat Washers	10#	6	M10 Hex Nuts



Hardware Package B (For Stainless Steel Step Bar Installation)					
Item	QTY	Description	Item	QTY	Description
1#	12	M8X1.25-35mm Carriage Bolts	3#	12	M8 Nylon Lock Nuts
2#	12	M8 Large Flat Washers	4#	6	Sliders (Packed with Step Bars)





STEP 1

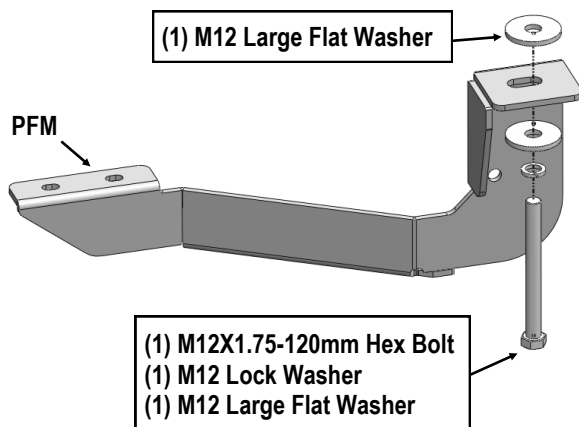
Start the installation from the passenger side of the vehicle. Remove the passenger side front body mount bolt.

STEP 2

Select the Passenger Front Mounting Bracket (PFM). Insert (1) M12X1.75-120mm Hex Bolt with (1) M12 Large Flat Washer and (1) M12 Lock Washer through the Mounting Bracket. Place (1) M12 Large Flat Washer onto the Bolt, then slide the rubber bushing onto the Hex Bolt against the Washer. Make sure that the M12 Large Flat Washer is between the Bracket and the factory rubber bushing, (Fig 1A).

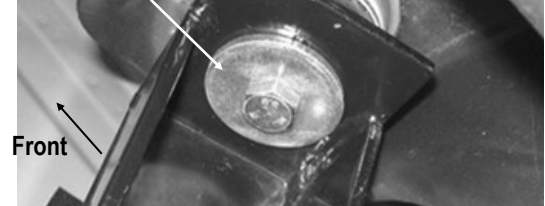
Hold the Bracket and hardware up in place and attach to the factory body mount. Do not tighten hardware at this time.

NOTE: Depending on model year, the M12 Large Flat Washer on the factory body mount bolt may be removable, (do not discard-must reinstall), and the bolt is long enough to go through the Mounting Bracket and properly thread into the body mount. Check the length of the factory bolt and determine whether to reuse the factory bolt or the included replacement M12X1.75-120mm Hex Bolt, (Fig 1B).



(Fig 1A) Passenger Front Mounting Bracket Installation

- (1) M12X1.75-120mm Hex Bolt
- (1) M12 Lock Washer
- (1) M12 Large Flat Washer (or use factory hardware)

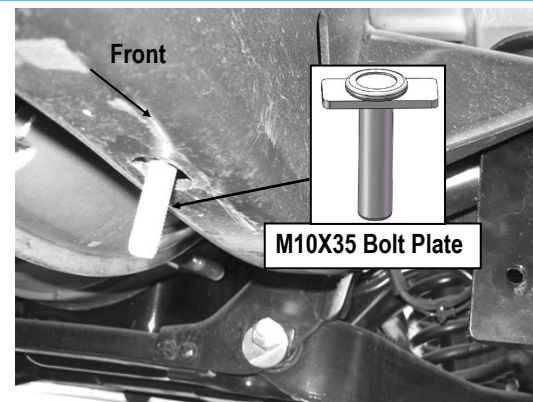


(Fig 1B) Passenger Front Mounting Bracket Installed (example only)

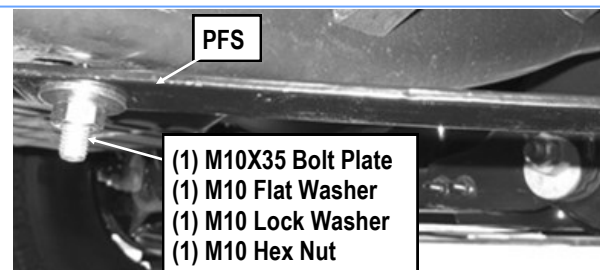
STEP 3

Insert (1) M10X35 Bolt Plate into the slot hole at the bottom of the frame rail near the front body mount, (Fig 2).

Select the Passenger Front Support Bracket (PFS) and hang it to the installed M10X35 Bolt Plate with the included (1) M10 Flat Washer, (1) M10 Lock Washer and (1) M10 Hex Nut, (Fig 3&4). Do not fully tighten hardware at this time.



(Fig 2) Insert (1) M10X35 Bolt Plate



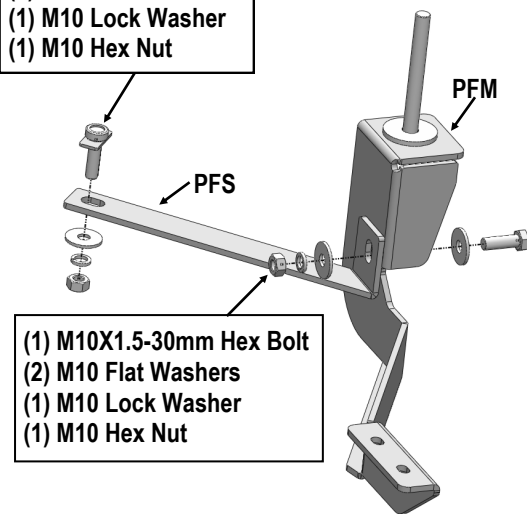
(Fig 3) Passenger Front Support Bracket Installation



STEP 4

Attach the opposite end of the Support Bracket to the mounting hole on the side of the Passenger Front Mounting Bracket using the included (1) M10X1.5-30mm Hex Bolt, (2) M10 Flat Washer, (1) M10 Lock Washer and (1) M10 Hex Nut, (Fig 4). Do not fully tighten hardware at this time.

(1) M10X35 Bolt Plate
(1) M10 Flat Washer
(1) M10 Lock Washer
(1) M10 Hex Nut



(1) M10X1.5-30mm Hex Bolt
(2) M10 Flat Washers
(1) M10 Lock Washer
(1) M10 Hex Nut

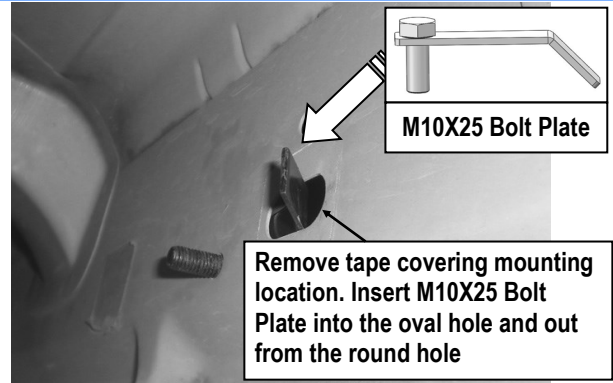
(Fig 4) Passenger Front Brackets Assembly

STEP 5

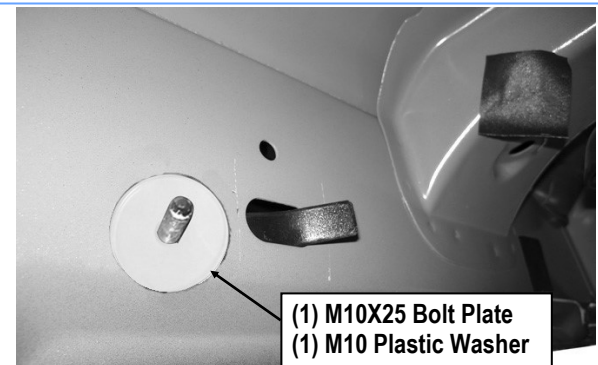
Move to the passenger side center mounting location. Locate the holes on the side panel (remove sealing tape as necessary) for the Passenger Center Mounting Bracket, (typically one slot and two round holes).

Insert (1) M10X25 Bolt Plate with (1) M10 Plastic Washer into the slot hole and exit the Bolt through the round hole, (Figs 5 & 6). **NOTE:** Some vehicles may have several holes on the side panel. To determine the correct mounting location, hold the Passenger Center Mounting Bracket up and attach to the threaded insert.

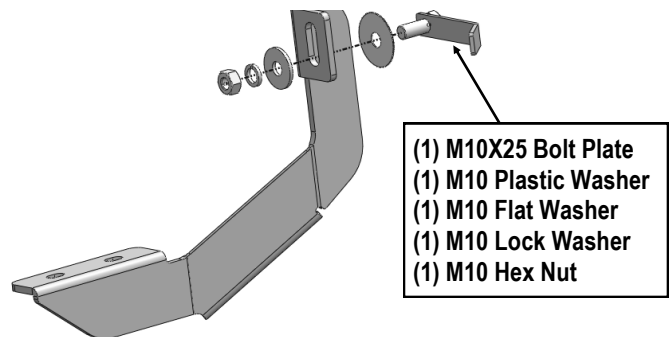
Install the Passenger Center Mounting Bracket (DCM/PCM) with (1) M10 Flat Washer, (1) M10 Lock Washer and (1) M10 Hex Nut, (Fig 7). Do not fully tighten hardware at this time.



(Fig 5) Passenger Side Center Mounting Location



(Fig 6) Insert (1) M10X25 Bolt Plate With (1) M10 Plastic Washer



(Fig 7) Passenger Center Mounting Bracket Installation

STEP 6

Move to the passenger side rear mounting location (at the back of the cab). Select the Passenger Rear Mounting Bracket (PRM) and (1) M12 Large Flat Washer. Repeat Steps 1—2 for Passenger Rear Mounting Bracket installation, (Fig 8). Do not fully tighten hardware at this time.



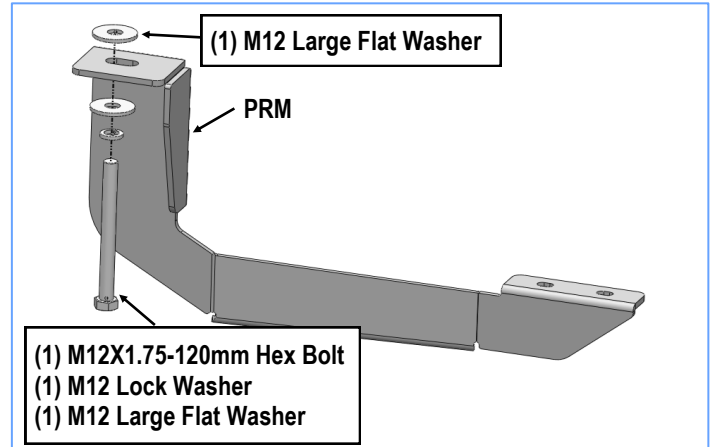
STEP 7

Once all (3) Passenger side mounting brackets are installed, then proceed to the Step Bar installation. **(Figs 9 & 10)**

- (1) Select (1) Slider and (2) M8X1.25-35mm Carriage Bolts;
- (2) Install (2) M8X1.25-35mm Carriage Bolts in (1) Slider.
- (3) Slide the Slider (with carriage bolts) to the **Step Bar**.
- (4) Repeat to install the other (2) sliders to the step bar.
- (5) Attach the Step Bar (with the Sliders) onto the installed mounting brackets. Position the Sliders to the installed brackets. Secure the Step Bar to the installed Brackets by using (6) M8 Large Flat Washers and (6) M8 Nylon Lock Nuts and (3) Sliders, **(Fig 10)**. Do not fully tighten hardware at this time.

Note: The Sliders are packed with the Step Bars.

Level and adjust the Step Bar and fully tighten all hardware. Repeat **Steps 1-7** for the other side Step Bar installation. **The installation is completed!!!**

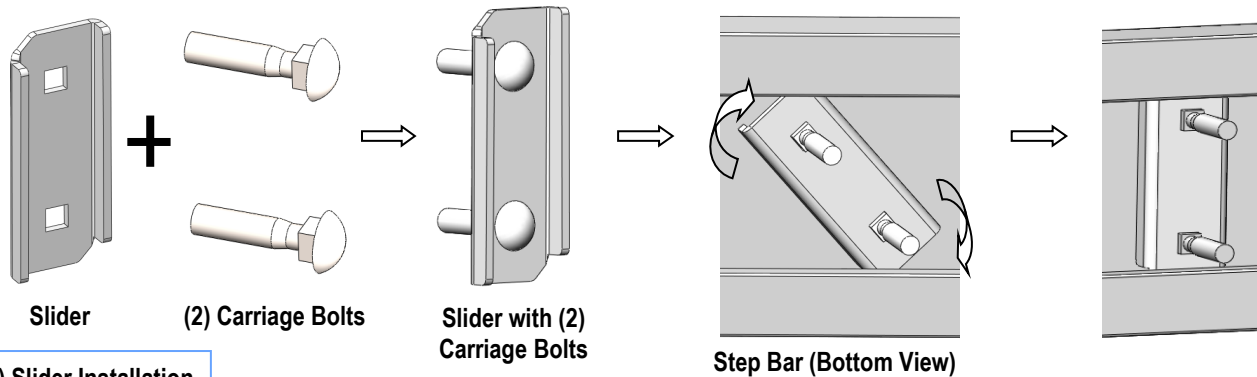


(Fig 8) Passenger Rear Mounting Bracket Installation

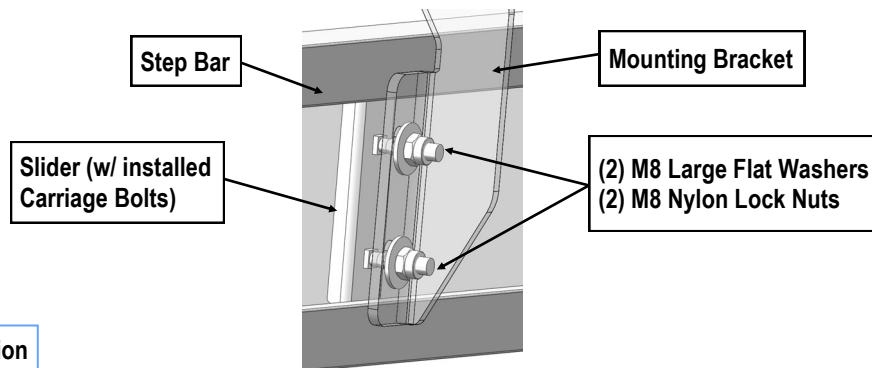
Attention

Do periodic inspections to the installation to make sure that all hardware is secure and tight.

In order to protect your bars/boards, please use mild soap/non-abrasive products for cleaning only.



(Fig 9) Slider Installation



(Fig 10) Step Bar Installation