



Scan for
Installation Video

iBoard® by APS

PART#: IB-403&413C&H

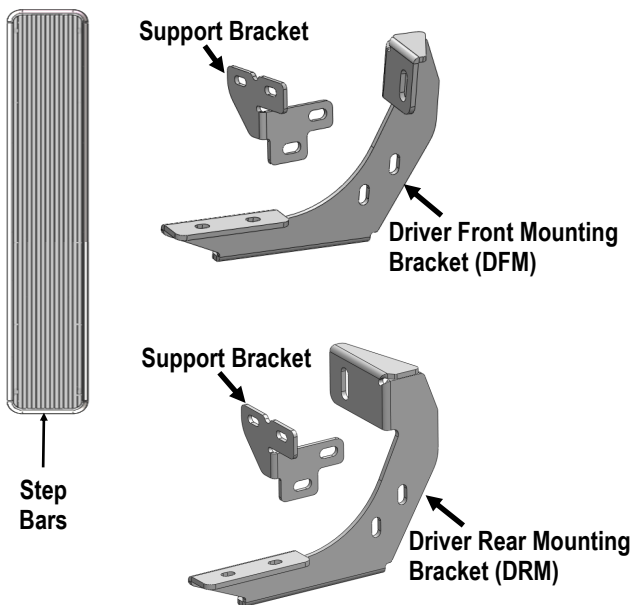
READ INSTRUCTIONS CAREFULLY BEFORE STARTING INSTALLATION. REMOVE CONTENTS FROM BOX AND VERIFY ALL PARTS ARE PRESENT. ASSISTANCE IS RECOMMENDED.

*ROCKER PANEL MOUNT
*DRILLING IS REQUIRED

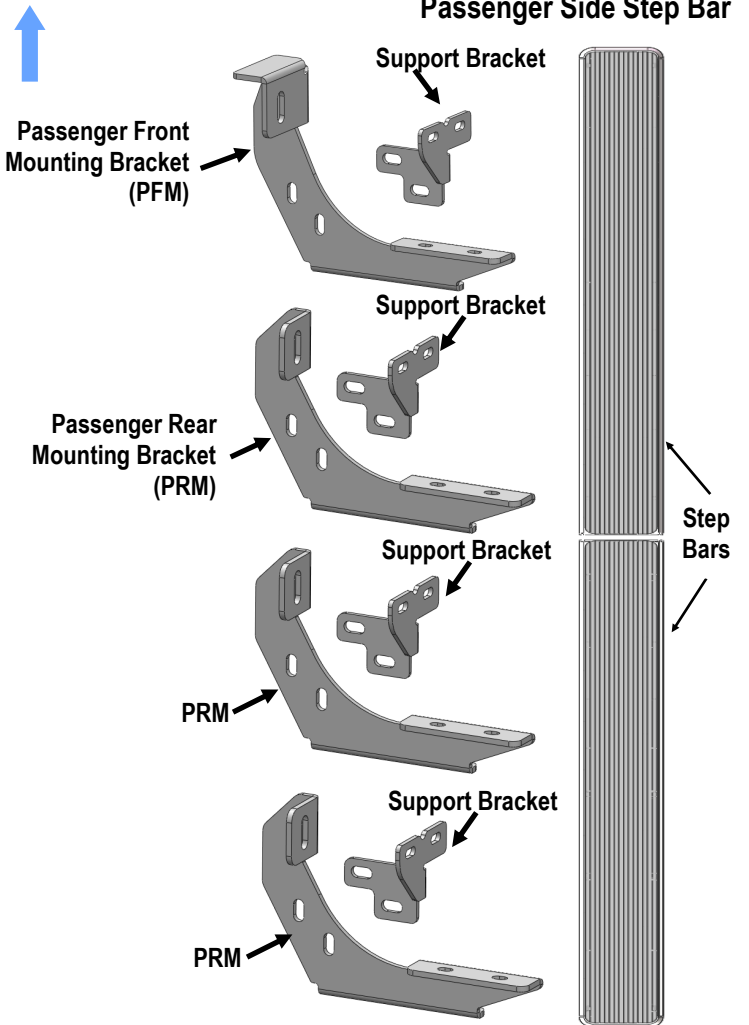
Fastener Size	Tightening Torque (ft-lbs)	Required
6mm	6-7	√
8mm	16-18	√
10mm	31-32	√
12mm	56-58	X
14mm	92-94	X

PART LIST

Driver Side Step Bar



Front



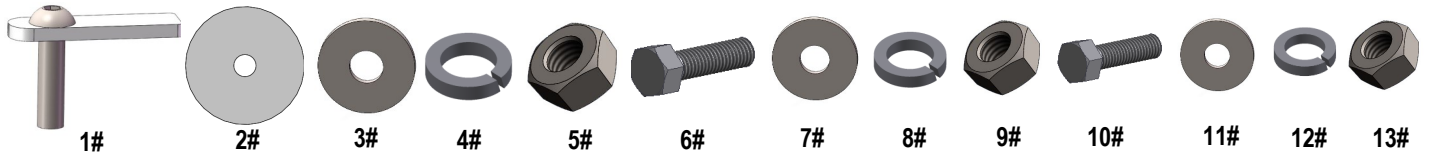
Note: All (6) Support Brackets are universal ; (3) Passenger Rear Mounting Brackets are universal.



Scan for
Installation Video

Hardware Package A (For Bracket Installation)

Item	QTY	Description	Item	QTY	Description
1#	6	M10 Bolt Plates	8#	12	M8 Lock Washers
2#	6	M10 Plastic Washers	9#	12	M8 Hex Nuts
3#	6	M10 Flat Washers	10#	12	M6X1-30mm Hex Bolts
4#	6	M10 Lock Washers	11#	24	M6 Flat Washers
5#	6	M10 Hex Nuts	12#	12	M6 Lock Washers
6#	12	M8X1.25-30mm Hex Bolts	13#	12	M6 Hex Nuts
7#	24	M8 Large Flat Washers			



Hardware Package B (For Stainless Steel Step Bar Installation)

Item	QTY	Description	Item	QTY	Description
1#	12	M8X1.25-35mm Carriage Bolts	3#	12	M8 Nylon Lock Nuts
2#	12	M8 Large Flat Washers	4#	6	Sliders (Packed with Step Bars)



Hardware Package C (For Stainless Steel Step Bar Assembly)

Item	QTY	Description	Item	QTY	Description
1#	4	Plastic Rivets	5#	2	M8 Hex Nuts
2#	6	M8X1.25-25mm Inner Hex Bolts	6#	1	Plastic Cover (Packed with Step Bars)
3#	8	M8 Flat Washers	7#	1	Back Plate (Packed with Step Bars)
4#	6	M8 Lock Washers			



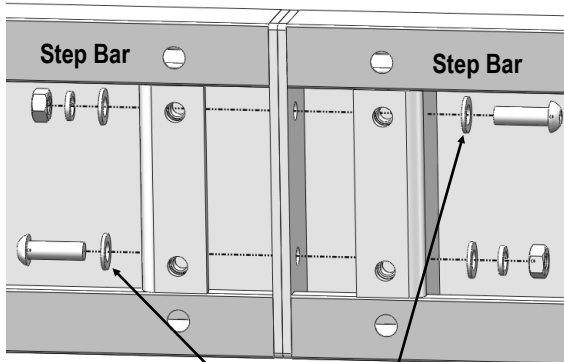
Customer Support: info@iboardauto.com



STEP 1

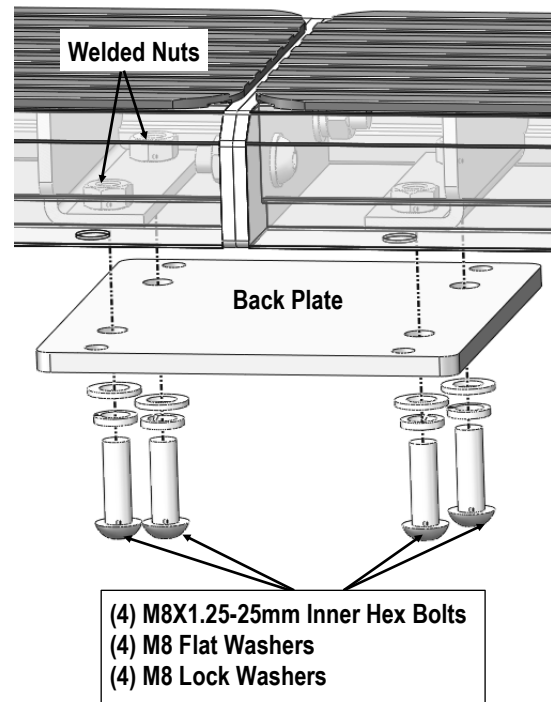
Passenger Side Step Bar Assembly:

1. Select and assemble (2) Step Bars with (2) M8X1.25-25mm Inner Hex Bolts, (4) M8 Flat Washers, (2) M8 Lock Washers and (2) M8 Hex Nuts, (Fig 1). **NOTE: (2) Step Bars are universal.**
2. Attach (1) Back Plate to the bottom of the installed (2) Step Bars with (4) M8X1.25-25mm Inner Hex Bolts, (4) M8 Flat Washers, (4) M8 Lock Washers, (Fig 2).
3. Install (1) Plastic Cover to cover the joint of (2) Step bars with (4) Plastic Rivets, (Fig 3).

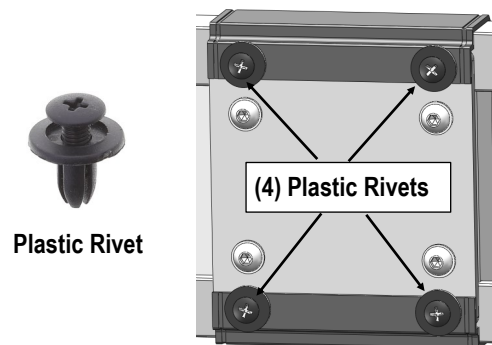


(2) M8X1.25-25mm Inner Hex Bolts
(4) M8 Flat Washers
(2) M8 Lock Washers
(2) M8 Hex Nuts

(Fig 1) Step Bars Assembly



(Fig 2) Back Plate Installation



(Fig 3) Plastic Cover Installation (Bottom View)

Assembled Passenger Side Step Bar

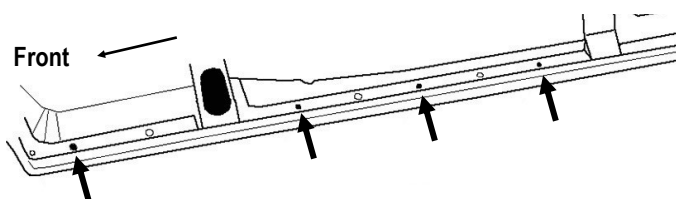




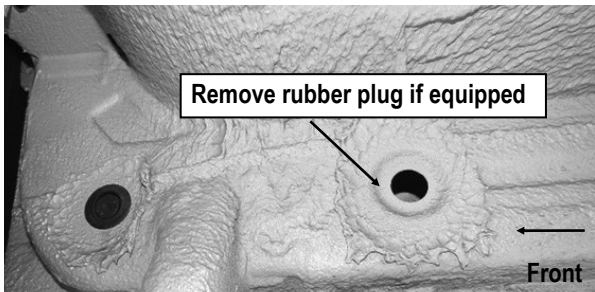
STEP 2

Starting installation from the passenger side front of the vehicle, locate the 2nd factory hole in the inner body panel from the front tire opening, (Figs 4 & 5). Remove the rubber plug if equipped.

NOTE: Mounting locations may be covered with heavy undercoating. Refer to instructions to find all mounting locations.



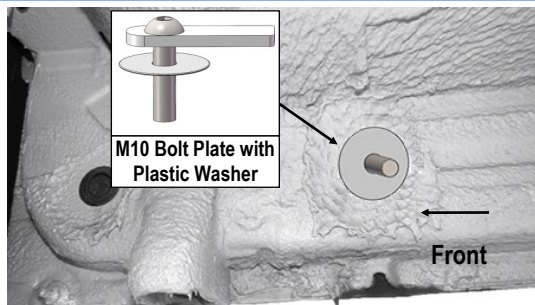
(Fig 4) Passenger Side Mounting Locations



(Fig 5) Passenger Side Front Mounting Location

STEP 3

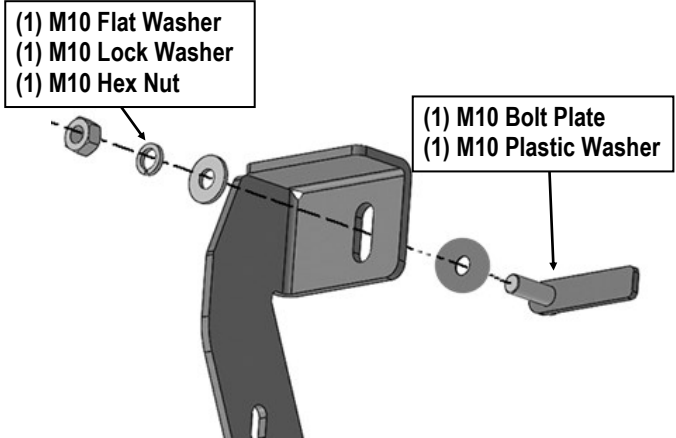
Select (1) M10 Bolt Plate and (1) M10 Plastic Washer. Insert the M10 Bolt Plate into the hole and thread (1) M10 Plastic Washer onto the Bolt Plate to hold it in place, (Fig 5).



(Fig 6) M10 Bolt Plate Installed

STEP 4

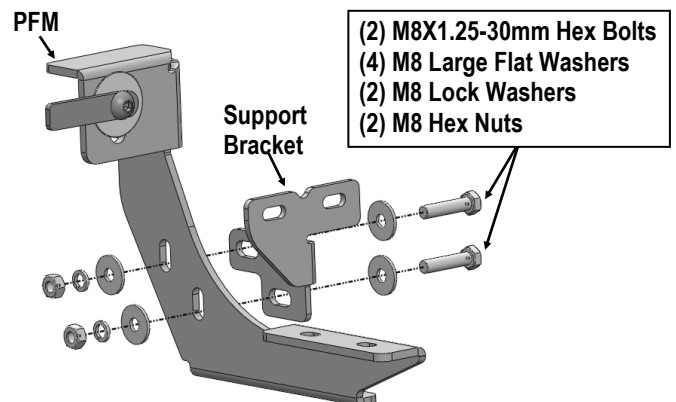
Select the unique Passenger Front Mounting Bracket (PFM). Attach the Bracket to the M10 Bolt Plate with (1) M10 Flat Washer, (1) M10 Lock Washer and (1) M10 Hex Nut, (Fig 7). Do not fully tighten hardware at this time.



(Fig 7) Passenger Front Mounting Bracket (PFM) Installation

STEP 5

Next, select (1) Support Bracket. Attach the Support Bracket to the Passenger Front Mounting Bracket (PFM) with (2) M8X1.25-30mm Hex Bolts, (4) M8 Large Flat Washers, (2) M8 Lock washers and (2) M8 Hex Nuts, (Fig 8). Line up the mounting flange on the Support Bracket with the **outside** of the pinch weld. Do not fully tighten hardware at this time.

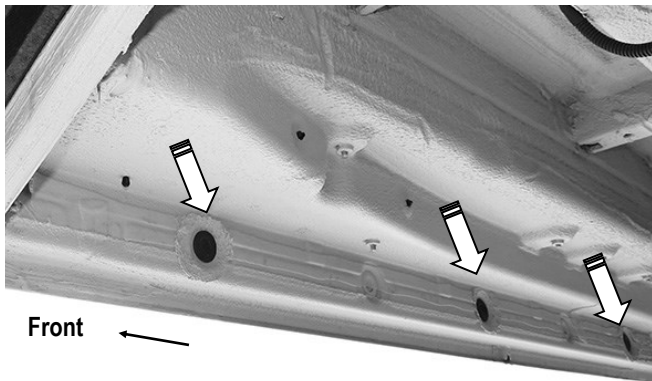


(Fig 8) Passenger Front Mounting Brackets Assembly

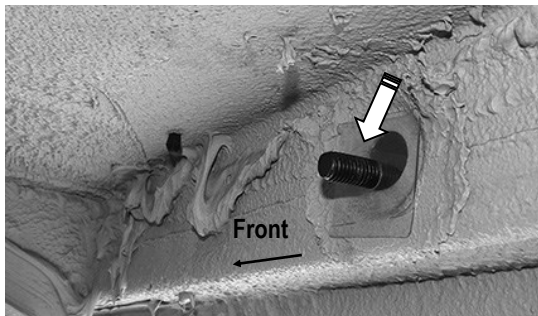


STEP 6

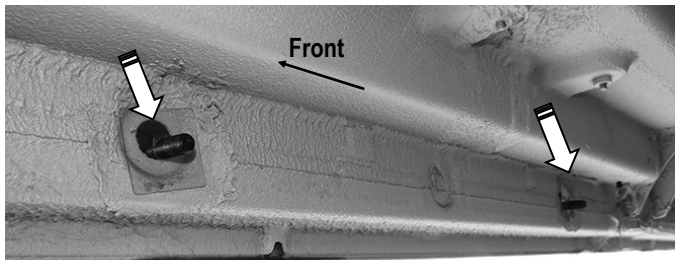
Move to the passenger side the 2nd & 3rd & 4th mounting locations, (Fig 9). Repeat Steps 3—5 to attach the (3) Passenger Rear Mounting Bracket (PRM) and (3) Support Brackets to the body panel, (Figs 9-12).



(Fig 9) Passenger Side 2nd & 3rd & 4th Mounting Locations

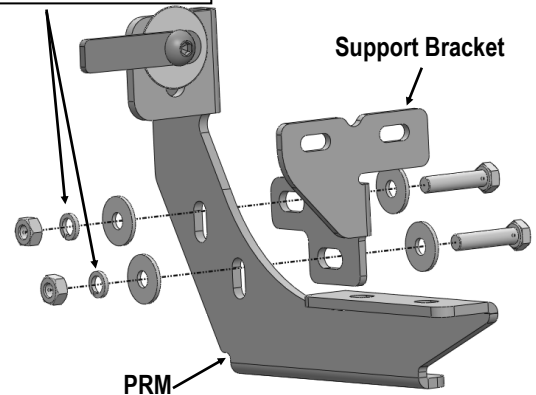


(Fig 10) Bolt Plate with Plastic Washer inserted in 2nd mounting location



(Fig 11) Bolt Plate with Plastic Washer inserted in 3rd & 4th mounting location

- (2) M8X1.25-30mm Hex Bolts
- (4) M8 Large Flat Washers
- (2) M8 Lock Washers
- (2) M8 Hex Nuts



(Fig 12) Passenger Rear Mounting Bracket (PRM) and the Support Bracket Assembly

STEP 7

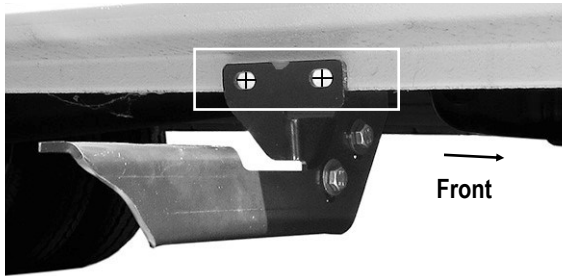
Select the Assembled passenger side Step Bar. Place the Step Bar on top of the (4) Brackets. Level and adjust the Step Bar and fully tighten the Bracket to vehicle hardware only. Temporarily remove the Step Bar.

STEP 8

Make sure the Brackets are level to the vehicle. Line up the slots on each Support Bracket with the outside of the pinch weld. Mark the location of the slots onto the pinch weld, (Fig 13).

IMPORTANT: Do not drill too close to the bottom edge of the pinch weld.

Adjust Support Brackets and/or Mounting Brackets so that slots in Support Brackets are not too close to the bottom edge of the pinch weld. Once the Step Bar and Brackets are properly adjusted and slot locations marked, remove the Step Bar and Support Brackets. Use a 5/16" drill bit to drill the (2) holes through the pinch weld for each Support Bracket.

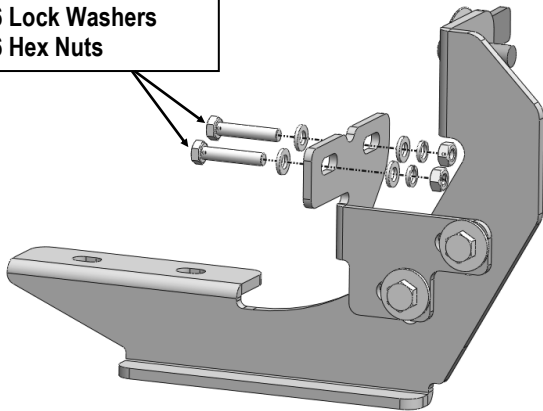


(Fig 13) Mark location of each Support Bracket onto pinch weld For drilling

STEP 9

Attach each Support Bracket to the outside of the pinch weld with (2) M6X1-30mm Hex Bolts, (4) M6 Flat Washers, (2) M6 Lock Washers and (2) M6 Hex Nuts, (Fig 14). Repeat this Step to attach the remaining (3) Passenger Support Brackets. Tighten the hardware attaching the Support Brackets to the vehicle only.

- (2) M6X1-30mm Hex Bolts
- (4) M6 Flat Washers
- (2) M6 Lock Washers
- (2) M6 Hex Nuts



(Fig 14) Support Bracket Installation (to pinch weld)

STEP 10

Once all (4) Passenger side mounting brackets are installed, then proceed to the Step Bar installation. (Figs 15 & 16)

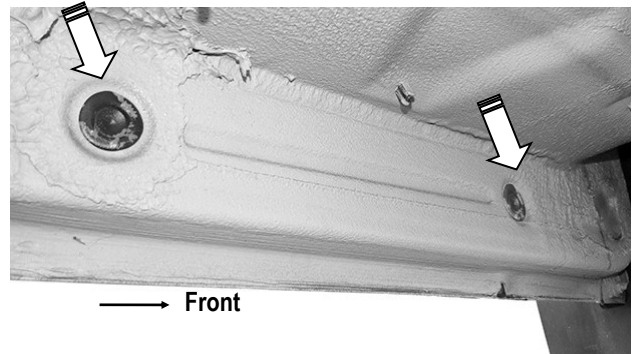
- (1) Select (1) Slider and (2) M8X1.25-35mm Carriage Bolts;
- (2) Install (2) M8X1.25-35mm Carriage Bolts in (1) Slider.
- (3) Slide the Slider (with carriage bolts) to the **Step Bar**.
- (4) Repeat to install the other (3) sliders to the step bar.
- (5) Attach the Step Bar (with the Sliders) onto the installed mounting brackets. Position the Sliders to the installed brackets. Secure the Step Bar to the installed Brackets by using (8) M8 Large Flat Washers and (8) M8 Nylon Lock Nuts and (4) Sliders, (Fig 16). Do not fully tighten hardware at this time.

Note: The Sliders are packed with the Step Bars.

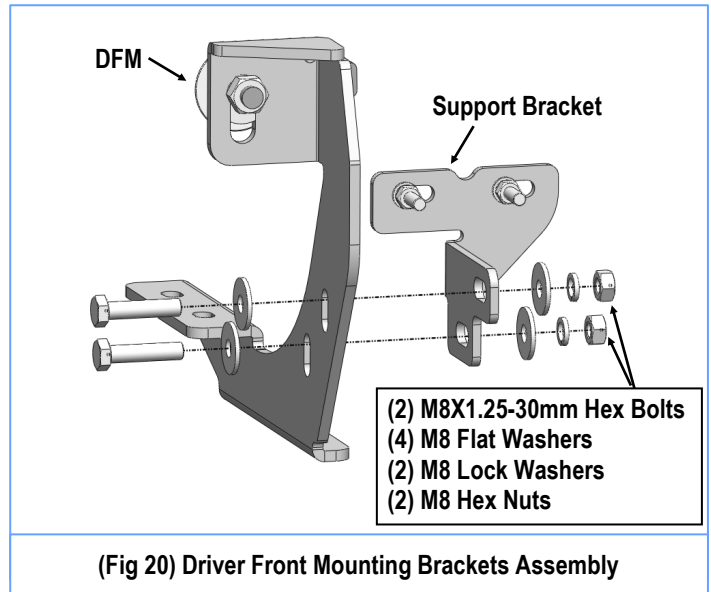
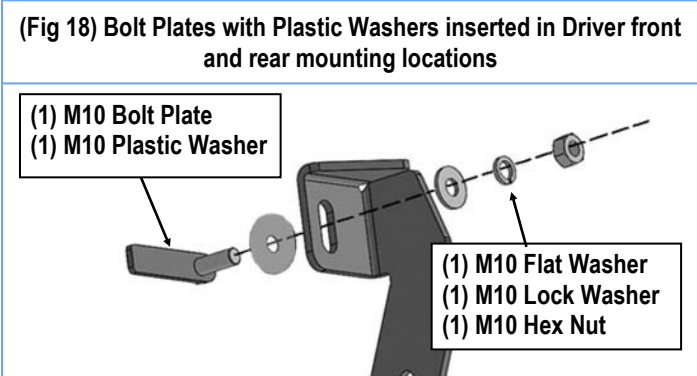
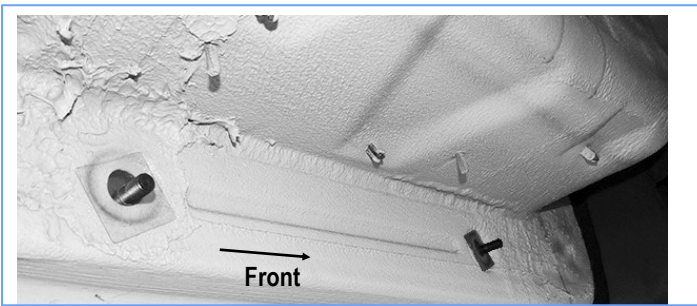
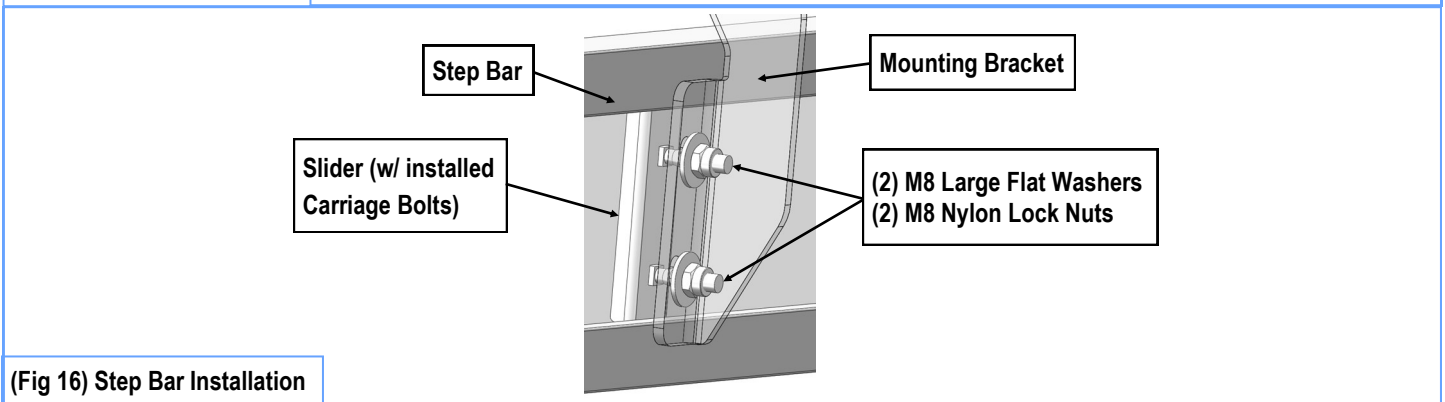
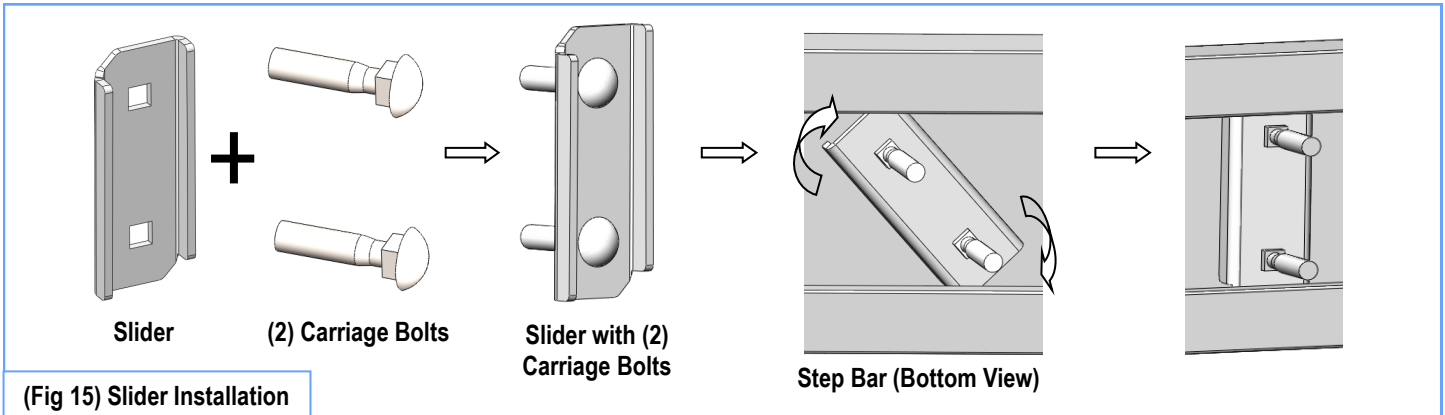
STEP 11

Move to the Driver side of the vehicle (Fig 17). Remove the overcoating and the rubber plugs from the 2nd and 3rd mounting location.

Repeat **Steps 3-5** to attach the Driver Front Mounting Bracket (DFM) and (1) Support Bracket to the 2nd mounting location in the body panel, (Figs 17-20). Do not fully tighten hardware at this time.



(Fig 17) Driver Side Mounting Locations





STEP 12

Repeat **Step 11** to attach the Driver Rear Mounting Bracket and (1) Support Bracket to the 3rd mounting location on the body panel.

STEP 13

Select the Driver Side Step Bar. Repeat **Steps 7—10** to drill the pinch weld to attach the Support Brackets and Step Bar.

STEP 14

Level and adjust the Step Bar and fully tighten all hardware.

Installation Completed!!!

Attention

Do periodic inspections to the installation to make sure that all hardware is secure and tight.

In order to protect your bars/boards, please use mild soap/non-abrasive products for cleaning only.