

# iBoard®

## iBoard® by APS

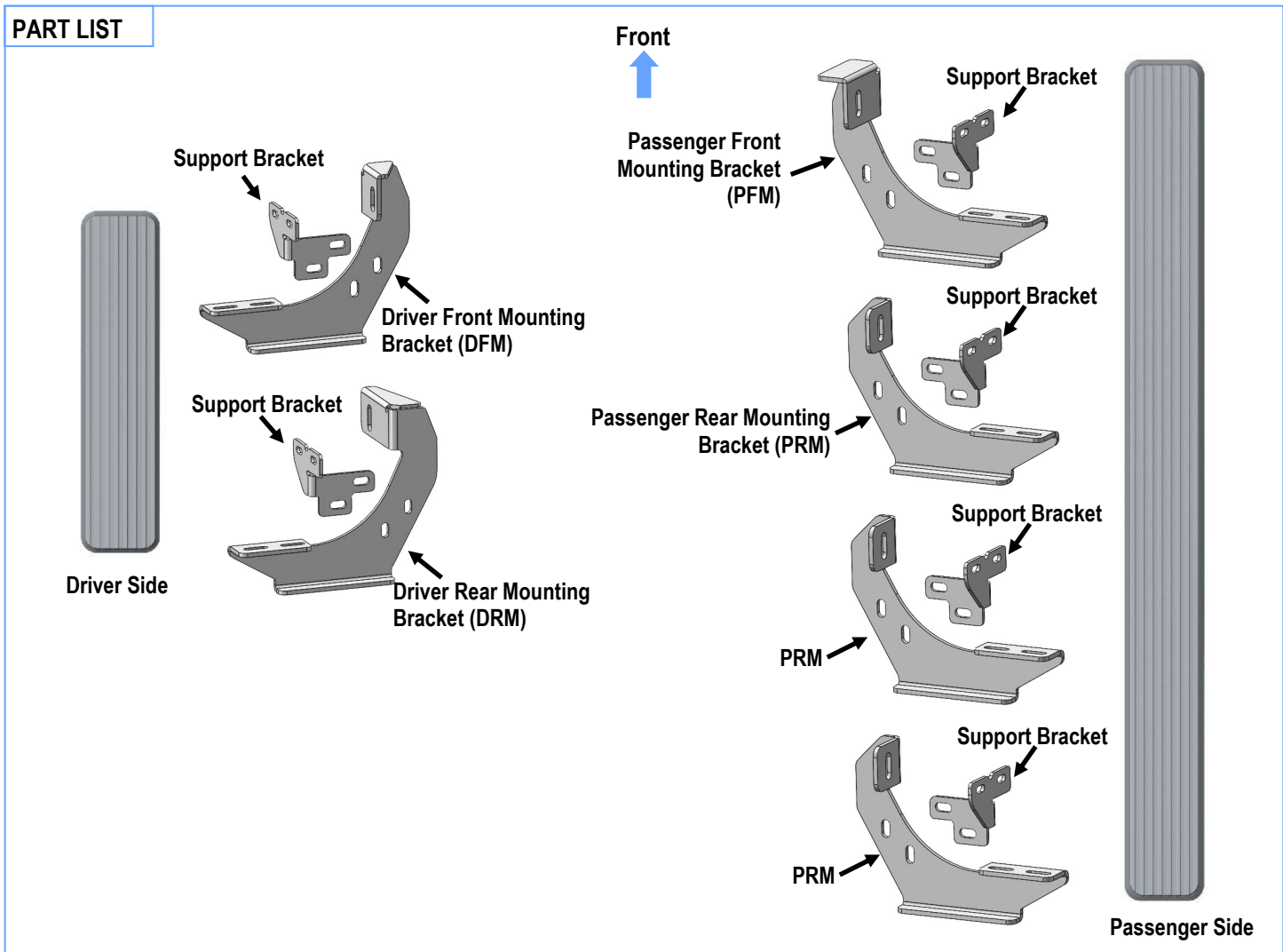
PART#: IB-403&413

READ INSTRUCTIONS CAREFULLY BEFORE STARTING INSTALLATION. REMOVE CONTENTS FROM BOX AND VERIFY ALL PARTS ARE PRESENT. ASSISTANCE IS RECOMMENDED.

\*ROCKER PANEL MOUNT  
\*DRILLING IS REQUIRED

Fastener Size	Tightening Torque (ft-lbs)	Required
6mm	6-7	√
8mm	16-18	√
10mm	31-32	√
12mm	56-58	X
14mm	92-94	X

### PART LIST



Customer Support: [info@iboardauto.com](mailto:info@iboardauto.com)

# iBoard®

## Hardware Package A (For Bracket Installation)



## Hardware Package B (For Aluminum Step Bar Installation Only, Not Supply to Stainless Steel Step Bar)



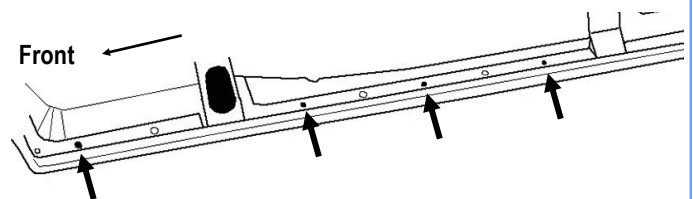
## Hardware Package C (For Stainless Steel Step Bar Installation Only, Not Supply to Aluminum Step Bar)



## STEP 1

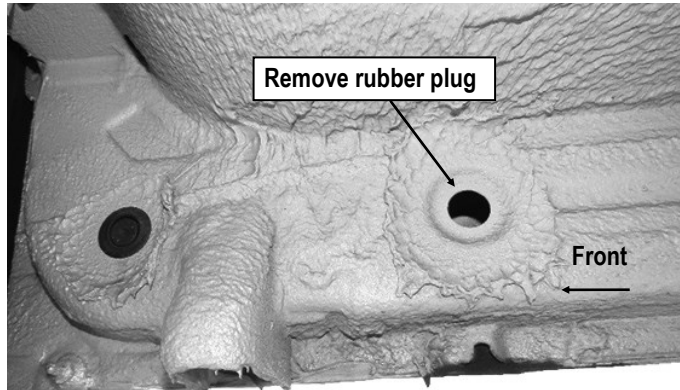
Starting installation from the passenger side front of the vehicle, locate the 2nd factory hole in the inner body panel from the front tire opening, (Figs 1 & 2). Remove the rubber plug.

**NOTE:** Mounting locations may be covered with heavy undercoating. Refer to instructions to find all mounting locations.



(Fig 1) Passenger Side Mounting Locations

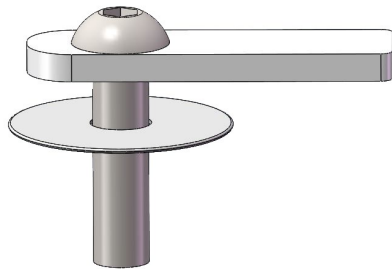
# iBoard®



(Fig 2) Passenger Side Front Mounting Location

## STEP 2

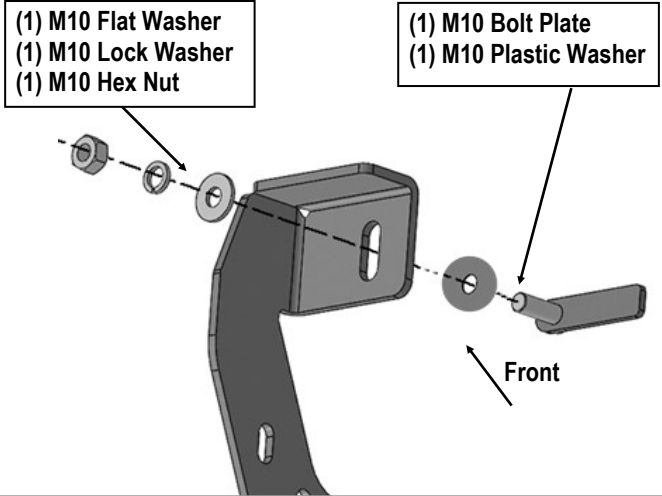
Select (1) M10 Bolt Plate and (1) M10 Plastic Washer. Insert the M10 Bolt Plate into the hole and thread (1) M10 Plastic Washer onto the Bolt Plate to hold it in place, (Fig 3).



(Fig 3) M10 Bolt Plate with M10 Plastic Washer

## STEP 3

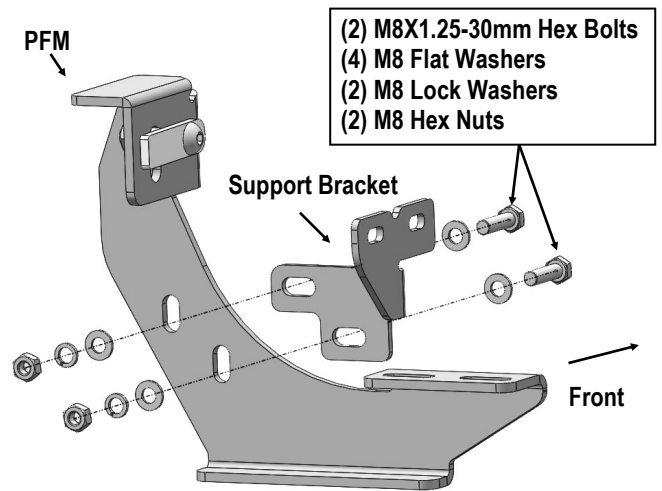
Select the unique Passenger Front Mounting Bracket (PFM). Attach the Bracket to the M10 Bolt Plate with (1) M10 Flat Washer, (1) M10 Lock Washer and (1) M10 Hex Nut, (Fig 4). Do not fully tighten hardware at this time.



(Fig 4) Passenger Front Mounting Bracket (PFM) Installation

## STEP 4

Next, select (1) Support Bracket. Attach the Support Bracket to the Passenger Front Mounting Bracket (PFM) with (2) M8X1.25-30mm Hex Bolts, (4) M8 Flat Washers, (2) M8 Lock washers and (2) M8 Hex Nuts, (Fig 5). Line up the mounting flange on the Support Bracket with the **outside** of the pinch weld. Do not fully tighten hardware at this time.

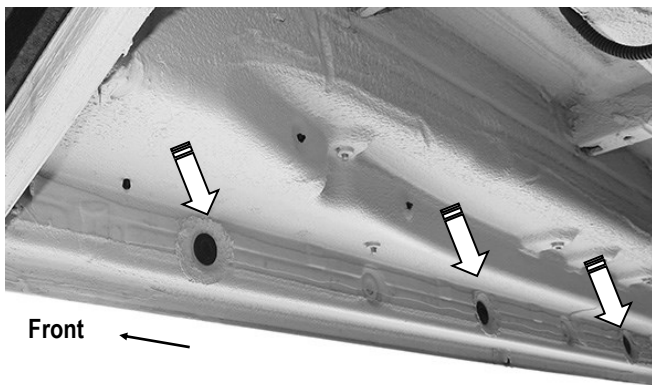


(Fig 5) Passenger Front Mounting Bracket (PFM) and the Support Bracket Assembly

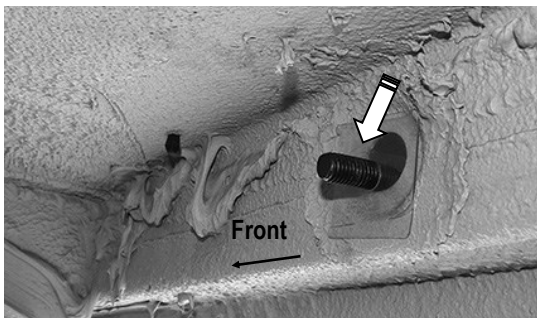
# iBoard®

## STEP 5

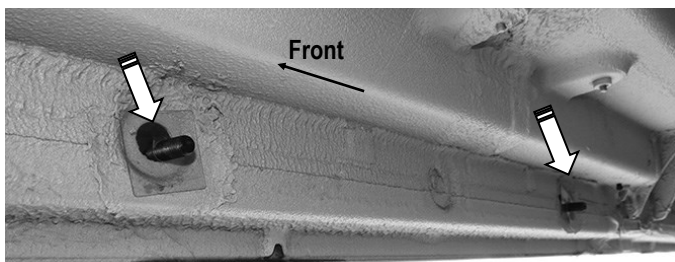
Move to the passenger side the 2nd & 3rd & 4th mounting locations, (Fig 6). Repeat **Steps 2—4** to attach the (3) Passenger Rear Mounting Bracket (PRM) and (3) Support Brackets to the body panel, (Figs 7-9).



(Fig 6) Passenger Side 2nd & 3rd & 4th Mounting Locations

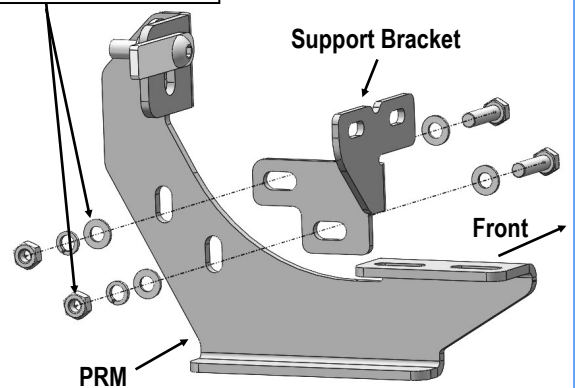


(Fig 7) Bolt Plate with Plastic Washer inserted in 2nd mounting location



(Fig 8) Bolt Plate with Plastic Washer inserted in 3rd & 4th mounting location

- (2) M8X1.25-30mm Hex Bolts
- (4) M8 Flat Washers
- (2) M8 Lock Washers
- (2) M8 Hex Nuts



(Fig 9) Passenger Rear Mounting Bracket (PRM) and the Support Bracket Assembly

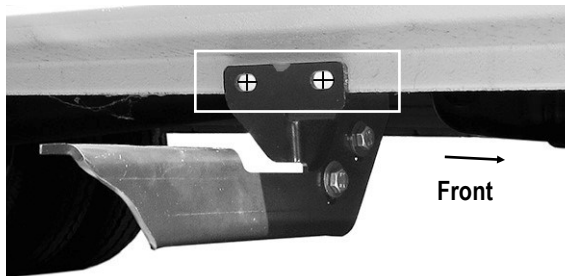
## STEP 6

Select the long passenger side Running Board. Place the Running Board on top of the (4) Brackets. Level and adjust the Running Board and fully tighten the Bracket to vehicle hardware only. Temporarily remove the Running Board.

## STEP 7

Make sure the Brackets are level to the vehicle. Line up the slots on each Support Bracket with the outside of the pinch weld. Mark the location of the slots onto the pinch weld, (Fig 10). **IMPORTANT:** Do not drill too close to the bottom edge of the pinch weld. Adjust Support Brackets and/or Mounting Brackets so that slots in Support Brackets are not too close to the bottom edge of the pinch weld. Once the Running Board and Brackets are properly adjusted and slot locations marked, remove the Running Board and Support Brackets. Use a 5/16" drill bit to drill the (2) holes through the pinch weld for each Support Bracket.

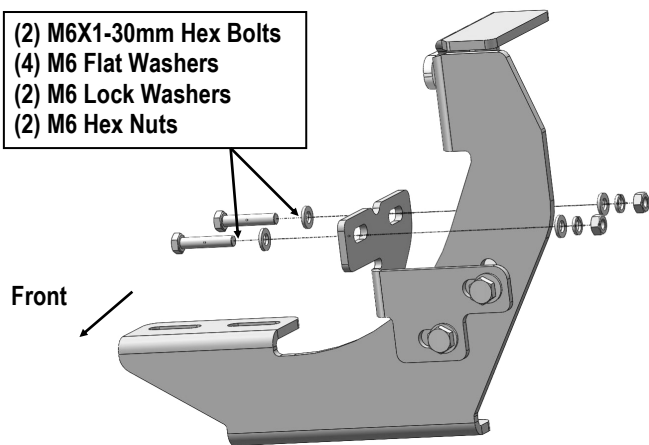
# iBoard®



(Fig 10) Mark location of each Support Bracket onto pinch weld before drilling

## STEP 8

Attach each Support Bracket to the outside of the pinch weld with (2) M6X1-30mm Hex Bolts, (4) M6 Flat Washers, (2) M6 Lock Washers and (2) M6 Hex Nuts, (Fig 11). Repeat this Step to attach the remaining (3) Passenger Support Brackets. Tighten the hardware attaching the Support Brackets to the vehicle only.



(Fig 11) Attach Support Bracket to pinch weld

## STEP 9

Once all (4) mounting brackets are installed, then proceed to the Step Bar installation. According to the style of Step Bar proceed to the correct installation STEPS.

**Note:** Aluminum Step Bar refer to STEP 10; Stainless Steel Step Bar skip to STEP 11.

## STEP 10

### Aluminum Step Bar Installation:

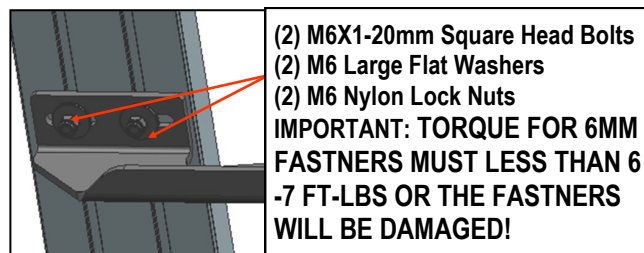
Select a **Aluminum Step Bar**. Slip (4) M6x1-20mm Square Head Bolts into each bottom channel (Fig 12). Carefully position the Step Bar onto the (4) Mounting Brackets.

**IMPORTANT:** Do not slide the Step Bar on the Brackets or the bottom surface of the board will be damaged. Attach the Step Bar to each Mounting Brackets with (2) M6x1-20mm Square Head Bolts, (2) M6 Large Flat Washers and (2) M6 Nylon Lock Nuts, (Fig 13). Do not fully tighten at this time.

Level and adjust the Step Bar and fully tighten all hardware. Repeat **Steps 1-10** for the other side Step Bar installation.



(Fig 12) Slip M6X1-20mm Square Head Bolts Into The Bottom Channels



(Fig 13) Running Board Installed Onto Mounting Bracket

# iBoard®

## STEP 11

### Stainless Steel Step Bar Installation:

Select a **Stainless Steel Step Bar** (with the U-Sliders installed on the Bar). Loosen the U-Sliders, reposition the U-Sliders onto the board according to the (4) Installed Mounting Brackets location, **(Fig 14)**. Re-secure the U-Sliders on the Step Bar. Attach the Step Bar to the installed Mounting Brackets with (8) M6X1-20mm Hex Bolts, (8) M6 Large Flat Washers & (8) M6 Lock Washers, **(Fig 15)**. Do not fully tighten hardware at this time. Level and adjust the Step Bar and fully tighten all hardware. Repeat **Steps 1-9 and 11** for the other side Step Bar installation.



**(Fig 14)** Slide & line up the U-Slider with the installed mounting brackets along bottom channel

(2) M6X1-20mm Hex Bolts  
(2) M6 Large Flat Washers  
(2) M6 Lock Washers  
**IMPORTANT: TORQUE FOR 6MM FASTNERS MUST LESS THAN 6-7 FT-LBS OR THE FASTNERS WILL BE DAMAGED!**

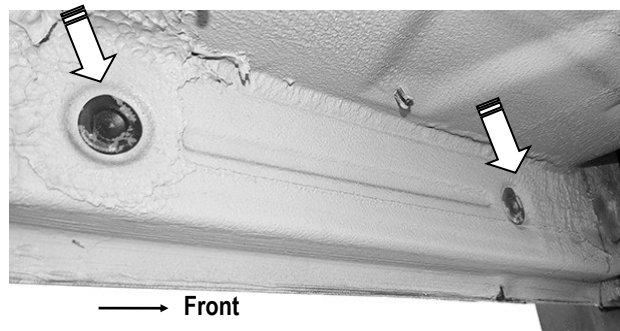


**(Fig 15)** Step Bar Installed on Bracket Installed (Example)

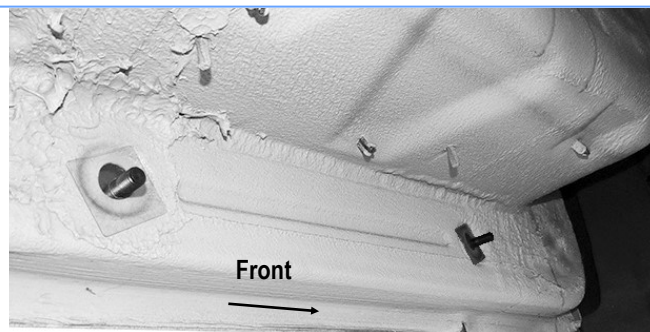
## STEP 12

Move to the Driver side of the vehicle **(Fig 16)**. Remove the overcoating and the rubber plugs from the 2nd and 3rd mounting location.

Repeat **Steps 2-4** to attach the Driver Front Mounting Bracket **(DFM)** and (1) Support Bracket to the 2nd mounting location in the body panel, **(Figs 16-19)**. Do not fully tighten hardware at this time.

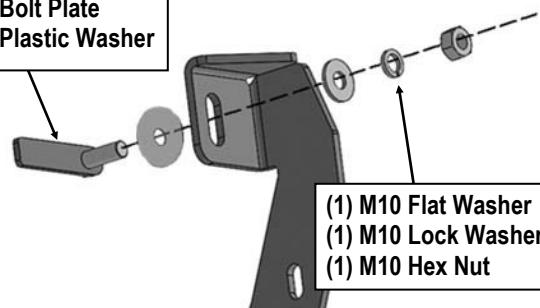


**(Fig 16)** Driver Side Mounting Locations



**(Fig 17)** Bolt Plates with Plastic Washers inserted in Driver front and rear mounting locations

(1) M10 Bolt Plate  
(1) M10 Plastic Washer



**(Fig 18)** Driver Front Mounting Bracket (DFM) Installation

# iBoard®

## STEP 14

Select the Driver Side Running Board. Repeat **Steps 7—13** to drill the pinch weld to attach the Support Brackets and Running Board.

## STEP 15

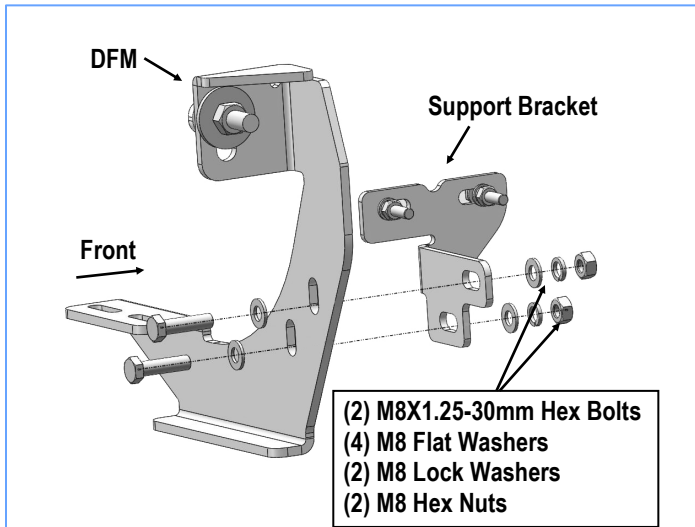
Level and adjust the Running Board and fully tighten all hardware.

**Installation Completed**

### Attention

**Do periodic inspections to the installation to make sure that all hardware is secure and tight.**

**In order to protect your bars/boards, please use only mild soap/non-abrasive products for cleaning.**



(Fig 19) Attach (1) Support Bracket to the Front Mounting Bracket

## STEP 13

Repeat **Step 12** to attach the Driver Rear Mounting Bracket and (1) Support Bracket to the 3rd mounting location on the body panel.