

iBoard®



Scan for
Installation Video

iBoard® by APS

PART#: IB-402C&H

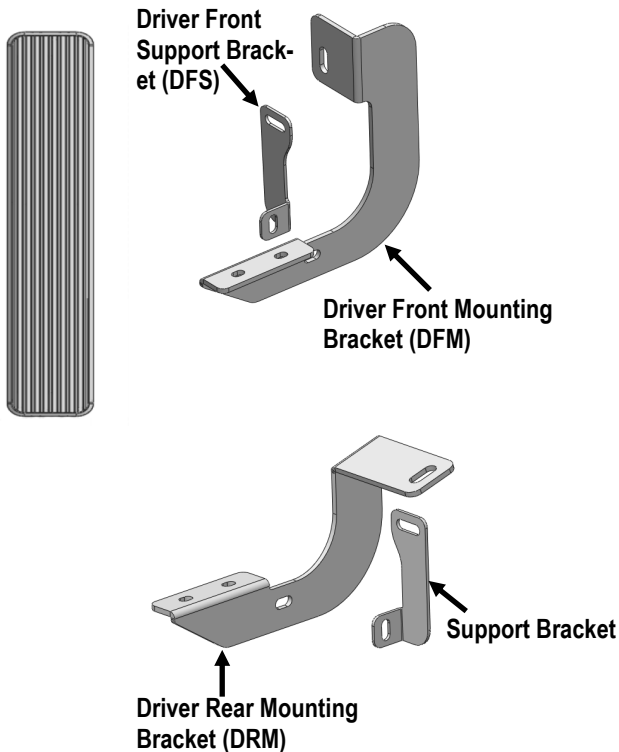
READ INSTRUCTIONS CAREFULLY BEFORE STARTING INSTALLATION. REMOVE CONTENTS FROM BOX AND VERIFY ALL PARTS ARE PRESENT. ASSISTANCE IS RECOMMENDED.

*ROCKER PANEL MOUNT
*DRILLING IS REQUIRED

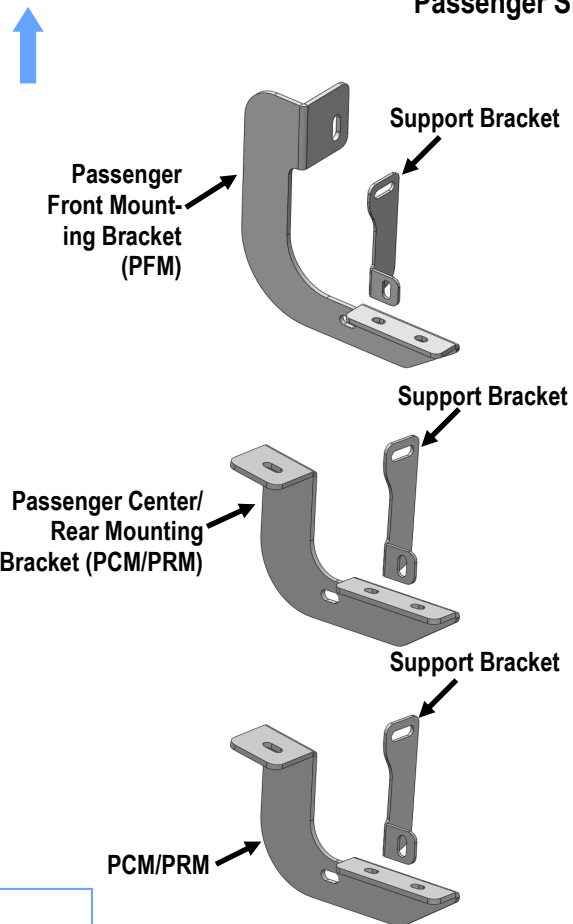
Fastener Size	Tightening Torque (ft-lbs)	Required
6mm	6-7	X
8mm	16-18	√
10mm	31-32	X
12mm	56-58	X
14mm	92-94	X

PART LIST

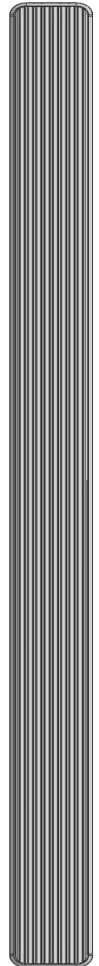
Driver Side Step Bar



Front



Passenger Side Step Bar



Note: *(4) Support Brackets are universal.
*(2) Passenger Center/Rear Mounting Brackets are universal.

Customer Support: info@iboardauto.com

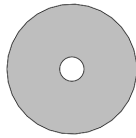


Hardware Package A (For Bracket Installation)

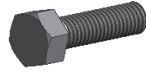
Item	QTY	Description	Item	QTY	Description
1#	5	M8 Bolt Plates	5#	20	M8 Flat Washers
2#	5	M8 Plastic Washers	6#	5	M8 Lock Washers
3#	10	M8X1.25-25mm Hex Bolts	7#	5	M8 Hex Nuts
4#	5	M8 Large Flat Washers	8#	10	M8X1.25 Nylon Lock Nuts



1#



2#



3#



4#



5#



6#



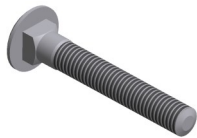
7#



8#

Hardware Package B (For Stainless Steel Step Bar Installation)

Item	QTY	Description	Item	QTY	Description
1#	10	M8X1.25-35mm Carriage Bolts	3#	10	M8 Nylon Lock Nuts
2#	10	M8 Large Flat Washers	4#	5	Sliders (Packed with Step Bars)



1 #



2 #



3 #



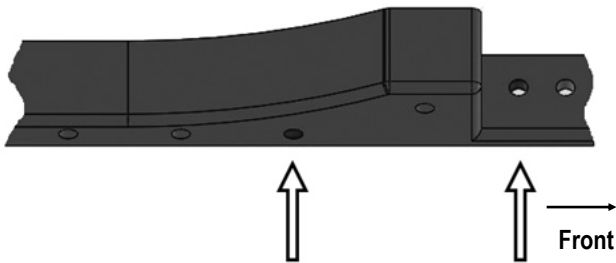
4 #



STEP 1

Starting installation from the driver side front of the vehicle. Locate the factory hole in the side of the inner body panel, (Fig 1A & 1B).

IMPORTANT: Hole may be covered with rubber plug, sealing tape and/or heavy undercoating if equipped. Remove excess undercoating from all mounting locations so that Brackets will install flat against body panel and pinch weld.



(Fig 1A) Driver Side Front & Rear Mounting Bracket Location



(Fig 1B) Driver Side Front Mounting Bracket Location

STEP 2

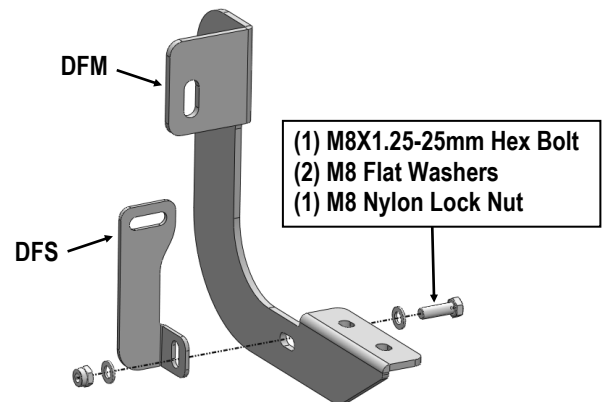
Select (1) M8 Bolt Plate and (1) M8 Plastic Washer. Thread the M8 Plastic Washer part way onto the M8 Bolt Plate. Insert the M8 Bolt Plate into the hole and tighten the M8 Plastic Washer against the body panel, (Fig 1B).

IMPORTANT: NOTE: The Plastic Washer is designed to keep the Bolt Plate from falling into the body panel during bracket installation.

STEP 3

Select the Driver Front Mounting Bracket (DFM) and the Driver Front Support Bracket (DFS). Attach the Support Bracket to the front of the Mounting Bracket with (1) M8X1.25-25mm Hex Bolt, (2) M8 Flat Washers and (1) M8 Nylon Lock Nut, (Fig 2). Do not fully tighten hardware at this time.

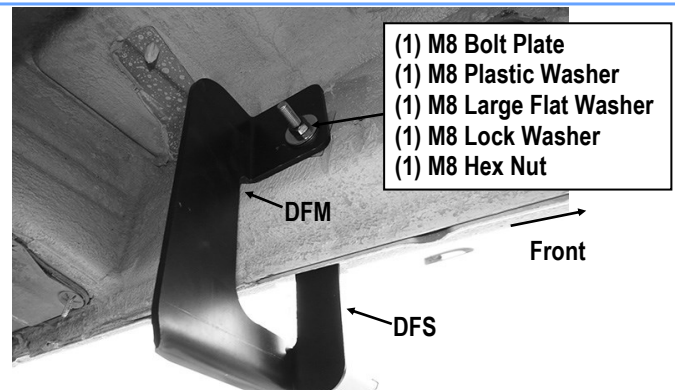
Note: Driver Front Support Bracket (DFS) are different with (5) Support Bracket.



(Fig 2) Driver Front Mounting Bracket (DFM) and the Driver Front Support Bracket (DFS) Assembly

STEP 4

Attach the Driver Front Mounting Bracket (DFM) to the M8 Bolt Plate with (1) M8 Large Flat Washer, (1) M8 Lock Washer and (1) M8 Hex Nut, (Fig 3). Do not fully tighten hardware at this time. Line up the top of the Support Bracket with the outside of the pinch weld.

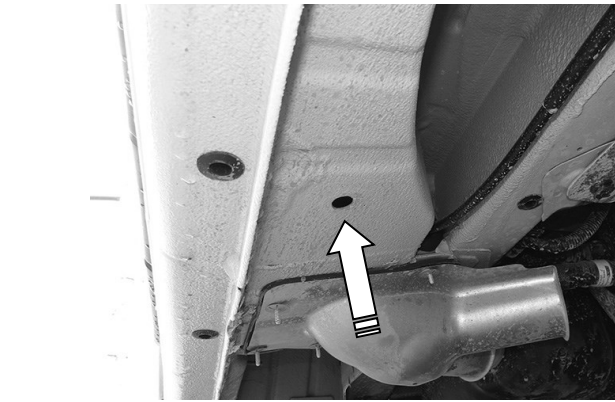


(Fig 3) Driver Front Mounting Bracket (DFM) Installation



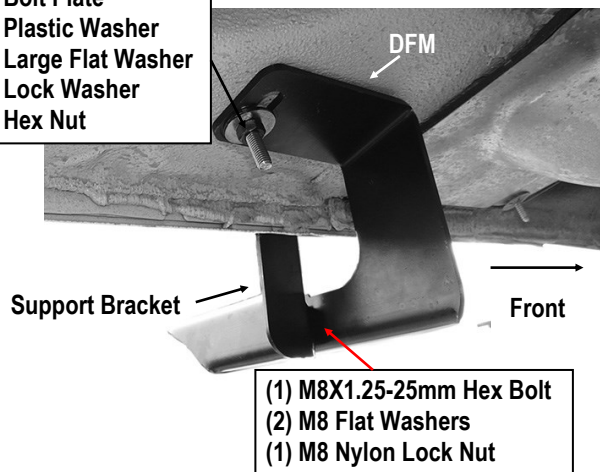
STEP 5

Move to the driver side rear mounting location. Locate the factory hole in the bottom of the floor panel, **(Fig 4)**. Repeat **Steps 1-4** to attach the Driver Rear Mounting Bracket (**DRM**) and Support Bracket, **(Fig 5)**.



(Fig 4) Driver Side Rear Mounting Bracket Location

- (1) M8 Bolt Plate
- (1) M8 Plastic Washer
- (1) M8 Large Flat Washer
- (1) M8 Lock Washer
- (1) M8 Hex Nut



- (1) M8X1.25-25mm Hex Bolt
- (2) M8 Flat Washers
- (1) M8 Nylon Lock Nut

(Fig 5) Driver Rear Mounting Bracket (DRM) Installation

STEP 6

Once all (2) Driver side mounting brackets are installed, then proceed to the Step Bar installation. **(Figs 6 & 7)**

- (1) Select (1) Slider and (2) M8X1.25-35mm Carriage Bolts;
- (2) Install (2) M8X1.25-35mm Carriage Bolts in (1) Slider.
- (3) Slide the Slider (with carriage bolts) to the **Step Bar**.
- (4) Repeat to install the other (1) slider to the step bar.
- (5) Attach the Step Bar (with the Sliders) onto the installed mounting brackets. Position the Sliders to the installed brackets. Secure the Step Bar to the installed Brackets by using (4) M8 Large Flat Washers and (4) M8 Nylon Lock Nuts and (2) Sliders, **(Fig 7)**. Do not fully tighten hardware at this time.

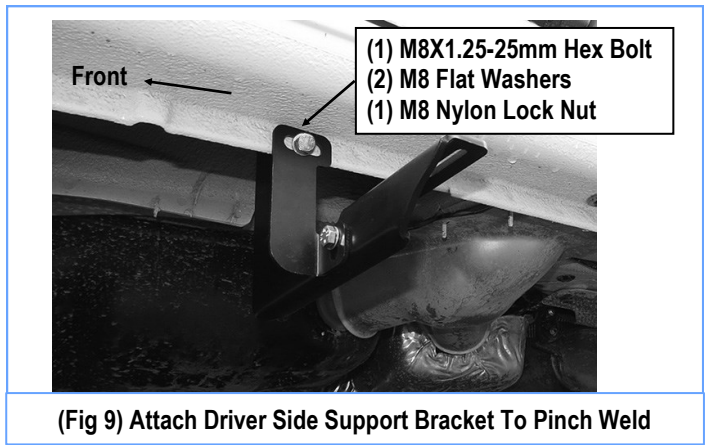
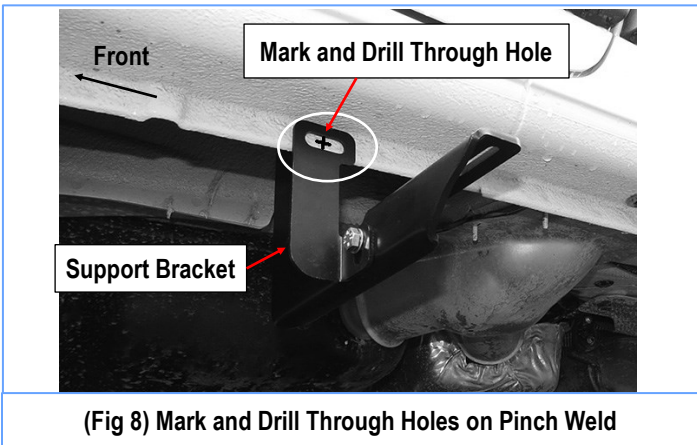
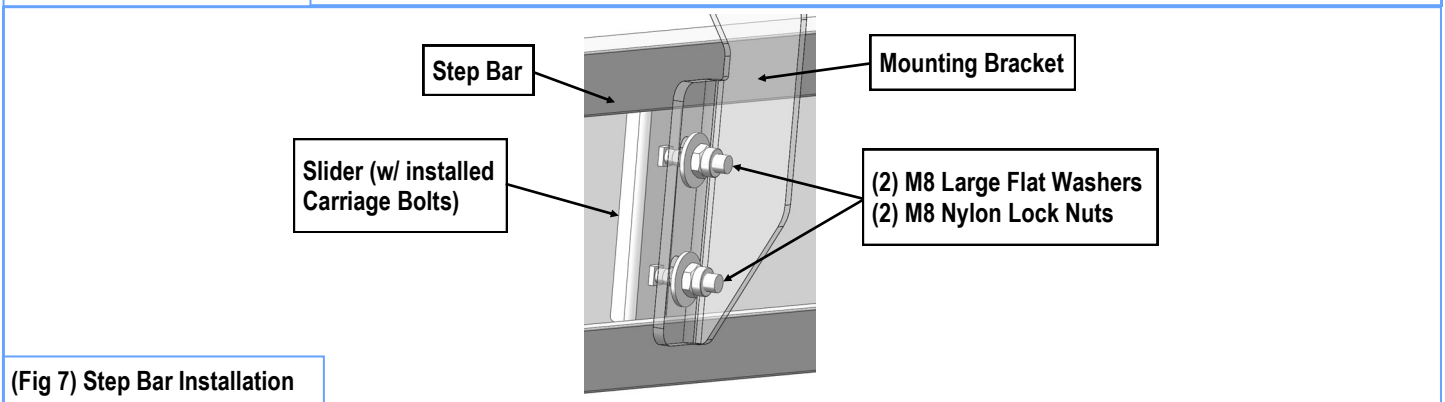
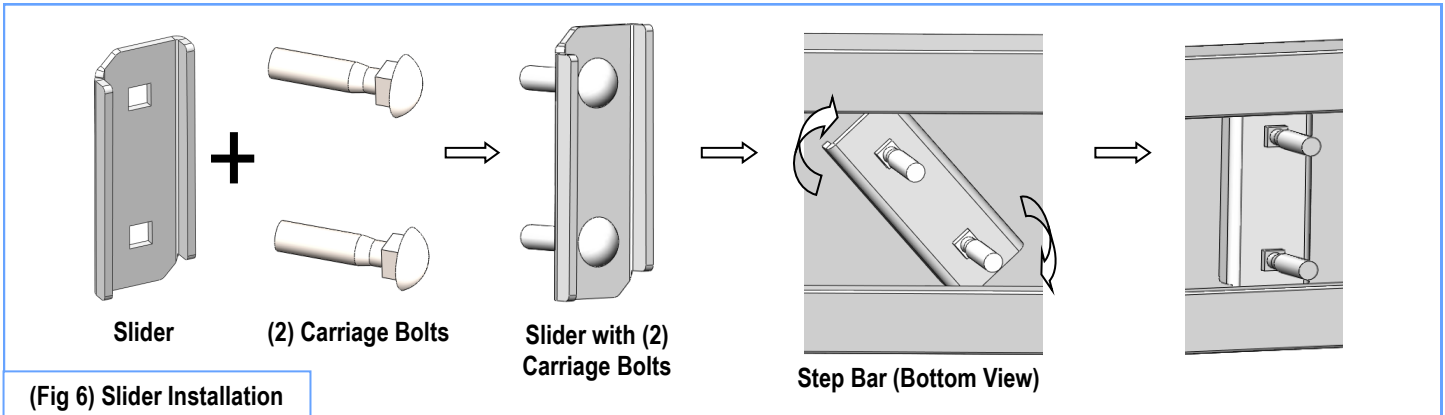
Note: The Sliders are packed with the Step Bars.

STEP 7

Adjust the (2) Support Brackets, attach the Brackets to the outside of the pinch weld. Mark the location of the (2) slots in the Support Brackets onto the pinch weld, **(Fig 8)**. Drill (2) 5/16" through holes on the pinch weld for the front and rear Support Brackets, **(Fig 8)**.

NOTE: Drill the holes as far away from the bottom edge of the pinch weld as possible. **IMPORTANT:** Do not drill on the welds on the pinch weld if possible.

IMPORTANT! Any cutting or drilling tool may break or shatter. Government regulations require safety glasses & equipment at all times when cutting or drilling.

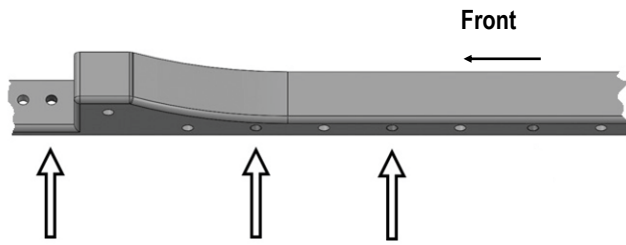


STEP 8

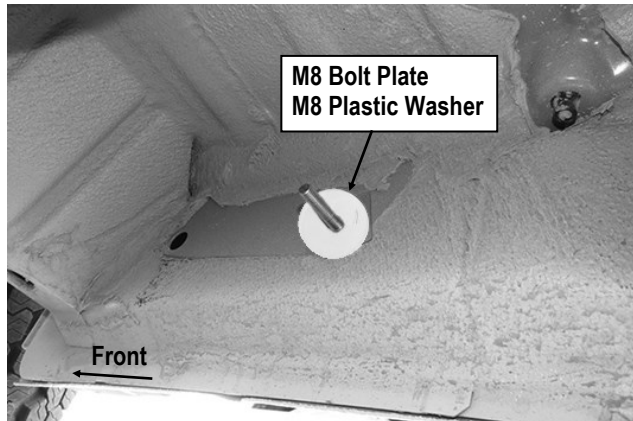
Attach the top of the Support Brackets to the outside of the pinch weld with (1) M8X1.25-25mm Hex Bolt, (2) M8 Flat Washers and (1) M8 Nylon Lock Nut, (Fig 9). Reinstall the Running Board. Level, adjust and tighten all hardware.

STEP 9

Move to the passenger side front of the vehicle, (Fig 10A & 10B). Repeat Steps 1-4 to install and assemble the Passenger Front Mounting Bracket (PFM) and the Support Bracket, (Fig 11).

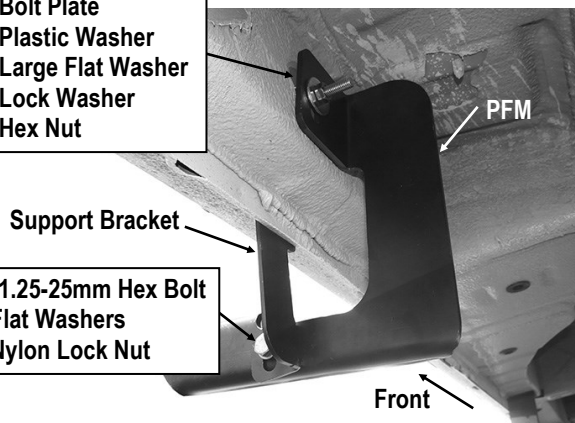


(Fig 10A) Passenger Side Mounting Bracket Locations



(Fig 10B) Passenger Side Front Mounting Location

- (1) M8 Bolt Plate
- (1) M8 Plastic Washer
- (1) M8 Large Flat Washer
- (1) M8 Lock Washer
- (1) M8 Hex Nut

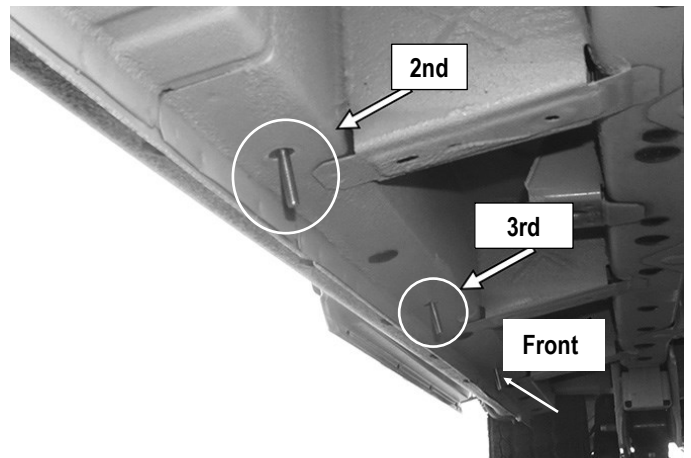


(Fig 11) Passenger Side Front Brackets Installation

- (1) M8X1.25-25mm Hex Bolt
- (2) M8 Flat Washers
- (1) M8 Nylon Lock Nut

STEP 10

Continue to the 2nd & 3rd mounting locations, (Fig 12). Repeat **Steps 1-4** to install and assemble the Mounting Brackets and the Support Brackets. **Note:** Passenger Side 2nd & 3rd Mounting Brackets are universal.



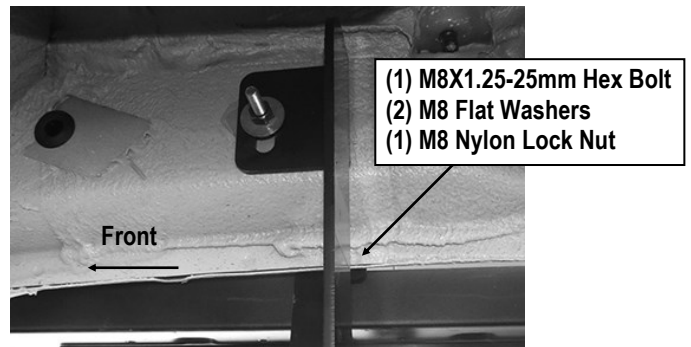
(Fig 12) Passenger Side 2nd & 3rd Mounting Locations

STEP 11

Select the Passenger Side Step Bar. Repeat **Step 6** to attach the Step Bar to (3) Mounting Brackets. Do not fully tighten hardware at this time.

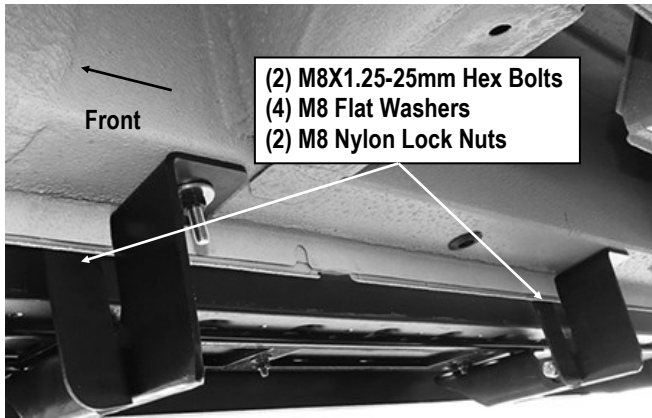
STEP 12

Repeat **Steps 7-8** to drill and attach the (3) Support Brackets to the pinch weld, (Figs 13-14).



(Fig 13) Attach Passenger Front Support Bracket To Pinch Weld

- (1) M8X1.25-25mm Hex Bolt
- (2) M8 Flat Washers
- (1) M8 Nylon Lock Nut



(2) M8X1.25-25mm Hex Bolts
(4) M8 Flat Washers
(2) M8 Nylon Lock Nuts

Front

(Fig 14) Attach Passenger 2nd & 3rd Support Bracket To Pinch Weld

STEP 13

Level and adjust the Step Bar and fully tighten all hardware.
Installation completed!

Attention

Do periodic inspections to the installation to make sure that all hardware is secure and tight.

In order to protect your bars/boards, please use mild soap/non-abrasive products for cleaning only.