

# iBoard®



Scan for  
Installation Video

## iBoard® by APS

PART#: IB-002C&H

READ INSTRUCTIONS CAREFULLY BEFORE STARTING INSTALLATION. REMOVE CONTENTS FROM BOX AND VERIFY ALL PARTS ARE PRESENT. ASSISTANCE IS RECOMMENDED.

\*ROCKER PANEL MOUNT  
\*DRILLING IS REQUIRED

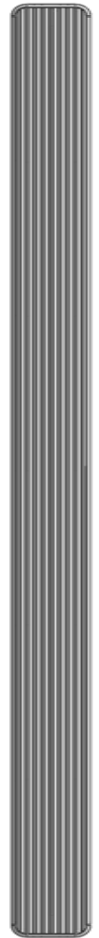
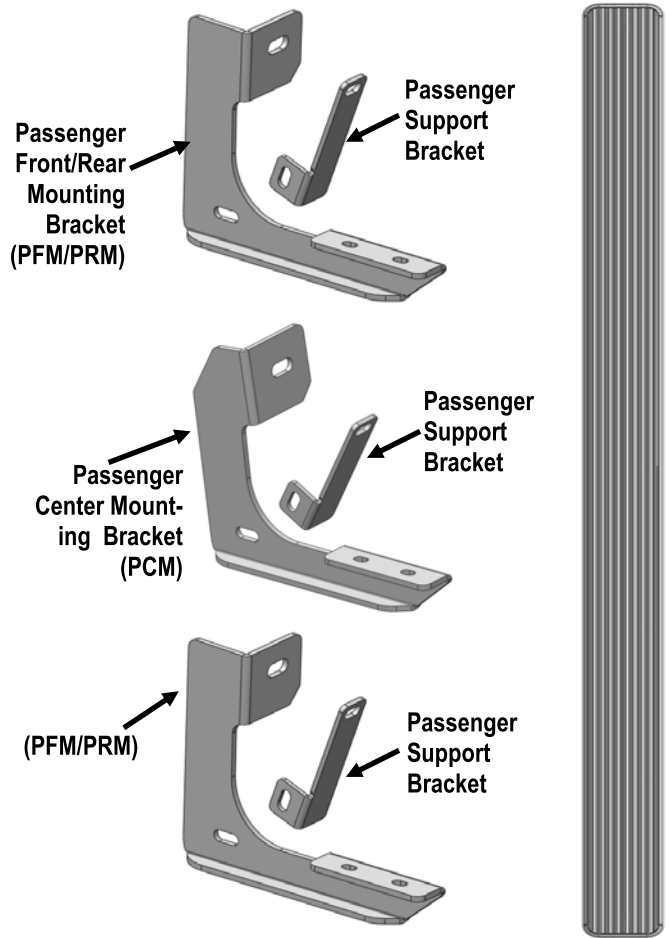
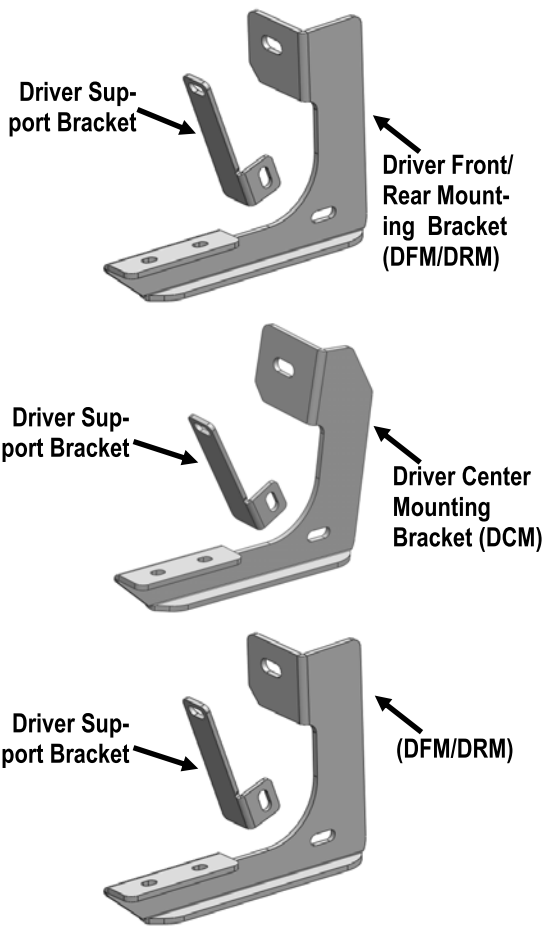
Fastener Size	Tightening Torque (ft-lbs)	Required
6mm	6-7	X
8mm	16-18	√
10mm	31-32	√
12mm	56-58	X
14mm	92-94	X

### PART LIST

#### Driver Side Step Bar

Front  
↑

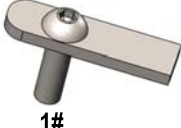
#### Passenger Side Step Bar




Customer Support: [info@iboardauto.com](mailto:info@iboardauto.com)




Hardware Package A (For Bracket Installation)					
Item	QTY	Description	Item	QTY	Description
1#	6	M10X40 Bolt Plates	6#	12	M8X1.25-25mm Hex Bolts
2#	6	M10 Plastic Washers	7#	12	M8 Large Flat Washers
3#	6	M10 Large Flat Washers	8#	12	M8 Flat Washers
4#	6	M10 Lock Washers	9#	12	M8X1.25 Nylon Lock Nuts
5#	6	M10X1.5 Hex Nuts			




1#



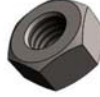
2#




3#




4#




5#




6#



7#




8#




9#


Hardware Package B (For Stainless Steel Step Bar Installation)					
Item	QTY	Description	Item	QTY	Description
1#	12	M8X1.25-35mm Carriage Bolts	3#	12	M8 Nylon Lock Nuts
2#	12	M8 Large Flat Washers	4#	6	Sliders (Packed with Step Bars)




1 #



2 #



3 #



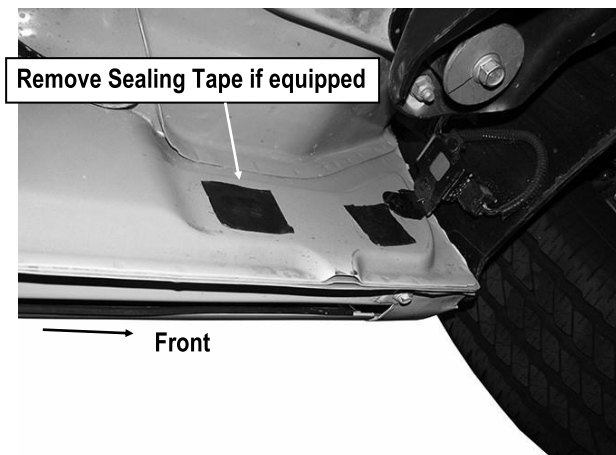
4 #



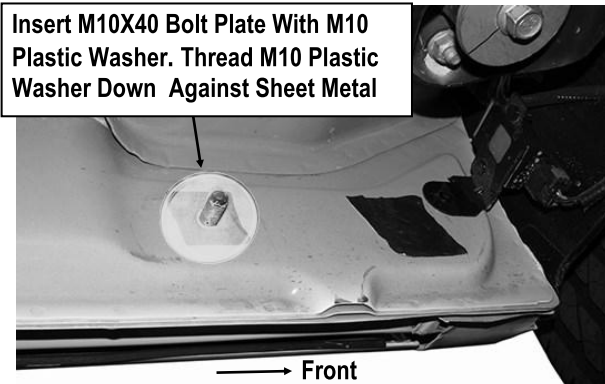
## STEP 1

Start the installation from the Driver Side Front Mounting Location. Locate the (2) oval holes on the inner body panel. Remove the Sealing tapes covering the 2nd factory hole, (**Fig 1**). Thread (1) M10 Plastic Washer onto (1) M10X40 Bolt Plate. Insert the M10X40 Bolt Plate into the factory hole on the body panel. Thread the M10 Plastic Washer down against the sheet metal to hold the bolt plate in place, (**Fig 2**).

**NOTE:** The Plastic Washer is designed to keep the Bolt Plate from falling into the body panel during bracket installation.



(Fig 1) Driver Side Front Mounting Location

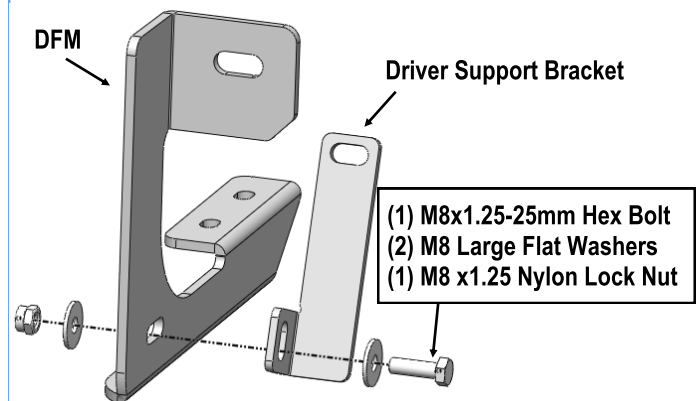


(Fig 2) M10X40 Bolt Plate Installation  
(on Driver Side Front Mounting Location)

## STEP 2

Select and assemble (1) Driver Front Mounting Bracket (DFM) and (1) Driver Support Bracket with (1) M8x1.25-25mm Hex Bolt, (2) M8 Large Flat Washers and (1) M8 x1.25 Nylon Lock Nut, (**Fig 3**). Do not fully tighten hardware at this time.

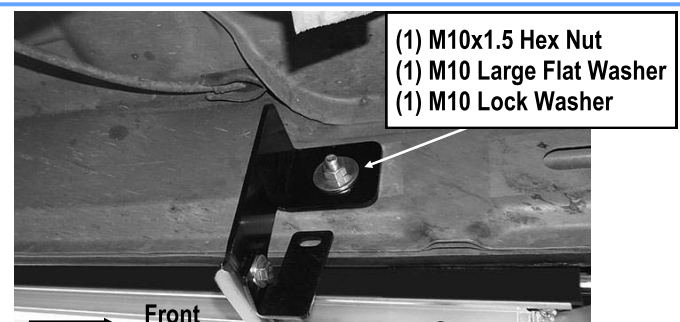
**NOTE:** Place the flat end of the Support Bracket up against the pinch weld at the bottom of the body panel.



(Fig 3) Driver Side Front Brackets Assembly

## STEP 3

Attach the Assembled Driver Front Mounting Bracket to the M10X40 Bolt Plate with (1) M10 Large Flat Washer, (1) M10 Lock Washer and (1) M10X1.5 Hex Nut, (**Fig 4**). Do not fully tighten hardware at this time.

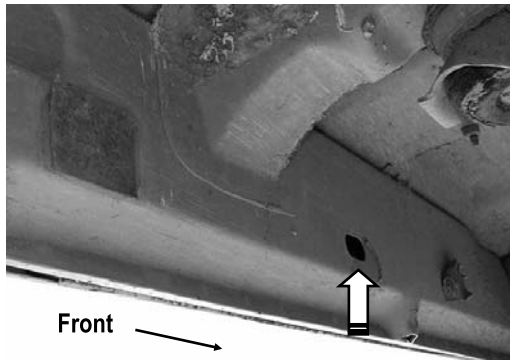


(Fig 4) Driver Front Mounting Bracket Installed

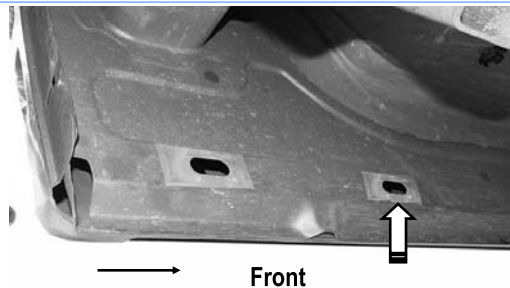


## STEP 4

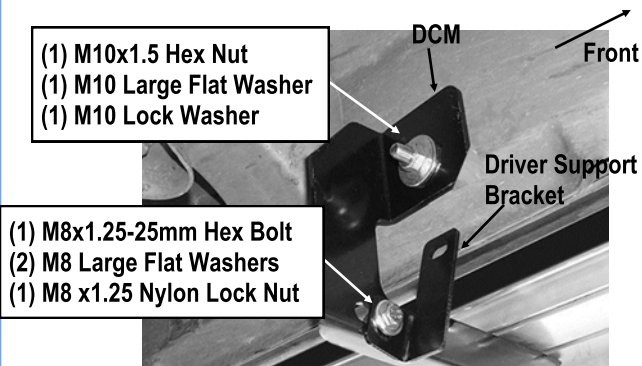
Next, move to the driver side center & rear mounting locations, (Fig 5 & 6). Repeat Steps 1-3 to install the Driver Center & Rear Mounting Brackets, (Fig 7 & 8). Do not fully tighten hardware at this time.



(Fig 5) Driver Side Center Mounting Location

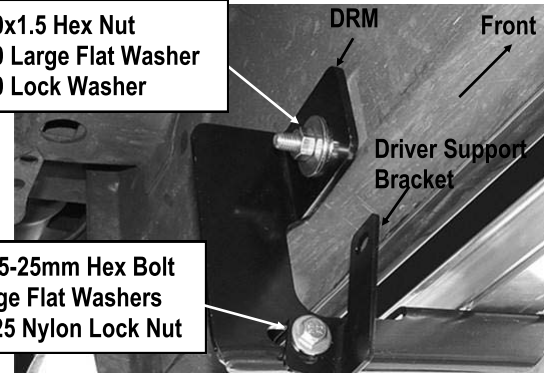


(Fig 6) Driver Side Rear Mounting Location



(Fig 7) Driver Center Mounting Bracket Installation

- (1) M10x1.5 Hex Nut
- (1) M10 Large Flat Washer
- (1) M10 Lock Washer



- (1) M8x1.25-25mm Hex Bolt
- (2) M8 Large Flat Washers
- (1) M8 x1.25 Nylon Lock Nut

(Fig 8) Driver Rear Mounting Bracket Installation

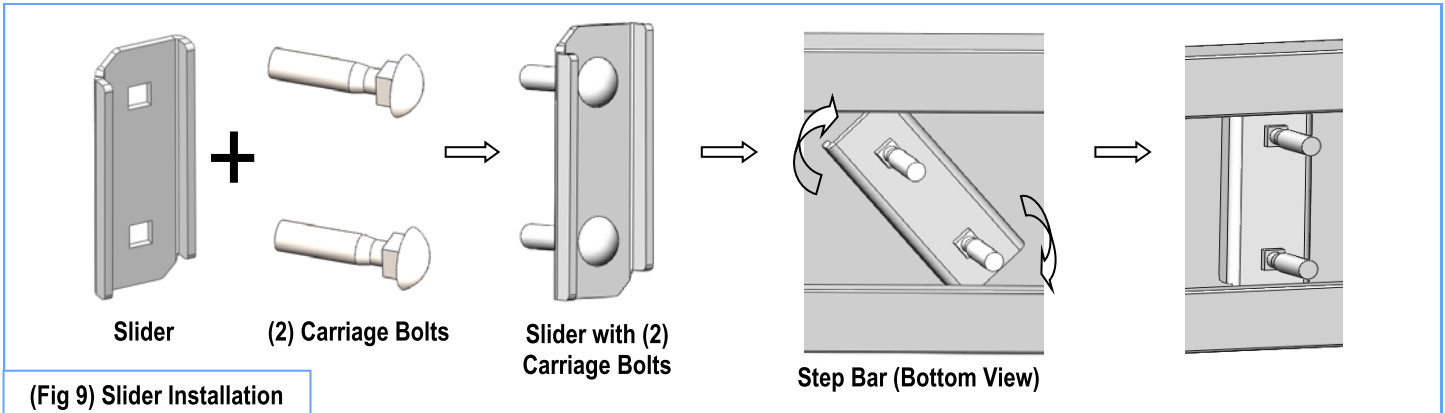
## STEP 5

Once all (3) Driver side mounting brackets are installed, then proceed to the Step Bar installation. (Figs 9 & 10)

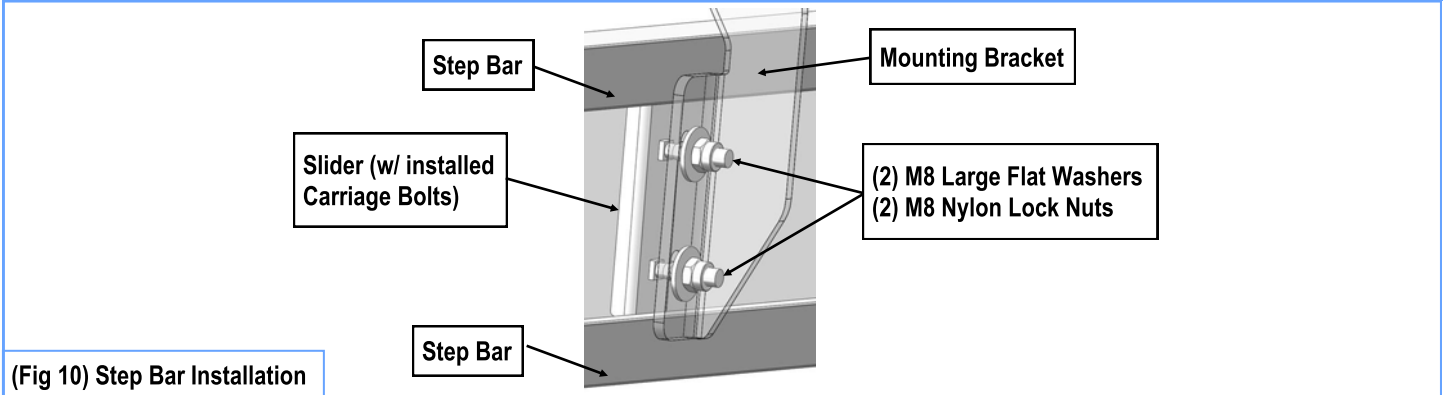
- (1) Select (1) Slider and (2) M8X1.25-35mm Carriage Bolts;
- (2) Install (2) M8X1.25-35mm Carriage Bolts in (1) Slider.
- (3) Slide the Slider (with carriage bolts) to the **Step Bar**.
- (4) Repeat to install the other (2) sliders to the step bar.

(5) Attach the Step Bar (with the Sliders) onto the installed mounting brackets. Position the Sliders to the installed brackets. Secure the Step Bar to the installed Brackets by using (6) M8 Large Flat Washers and (6) M8 Nylon Lock Nuts and (3) Sliders, (Fig 10). Do not fully tighten hardware at this time.

**Note:** The Sliders are packed with the Step Bars.



(Fig 9) Slider Installation

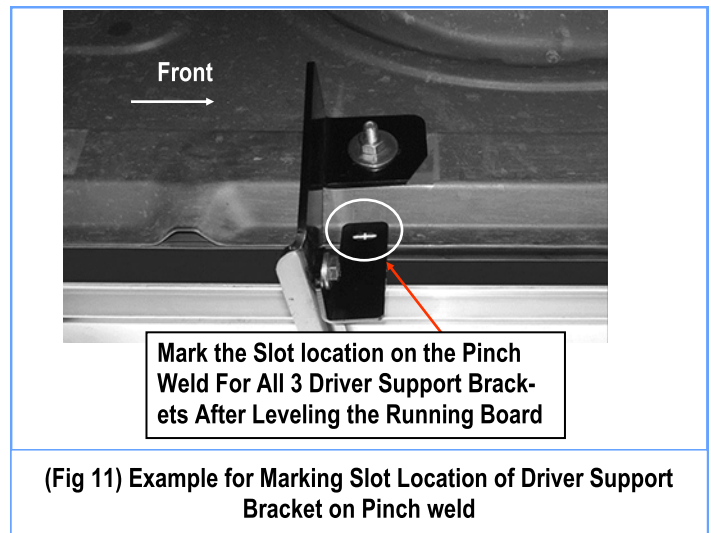


(Fig 10) Step Bar Installation

## STEP 6

Move back to the installed (3) Driver Support Brackets. Adjust Mounting Brackets up or down to level the Running Board. And attach the Support Brackets onto the pinch weld, mark the slot locations onto the pinch weld, (Fig 11).

**IMPORTANT:** Make sure do not mark too close to the edge of the pinch weld.



(Fig 11) Example for Marking Slot Location of Driver Support Bracket on Pinch weld



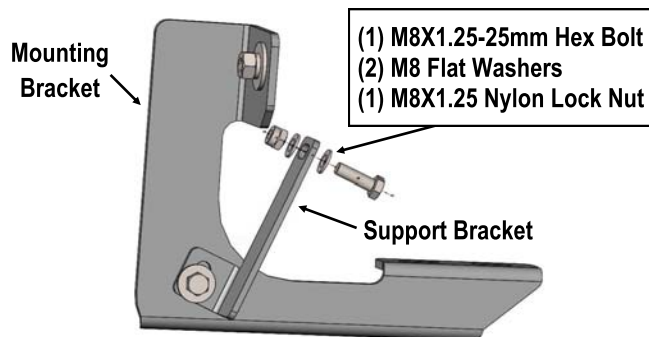
## STEP 7

Drill (3) 5/16" (or 8mm) through holes on the pinch weld for all (3) Driver Support Brackets

**IMPORTANT:** Make sure do not drill too close to the edge of the pinch weld.

Bolt each Support Bracket to the back of the pinch weld with (1) M8x1.25-25mm Hex Bolt, (2) M8 Flat Washers and (1) M8 x1.25 Nylon Lock Nut, (Fig 12).

Level the running boards and fully tighten all hardware.



(Fig 12) Driver Support Bracket Installation

## STEP 8

Repeat **Steps 1-7** to install the other side step bar.

Installation completed!!!

### Attention

**Do periodic inspections to the installation to make sure that all hardware is secure and tight.**

**In order to protect your bars/boards, please use mild soap/non-abrasive products for cleaning only.**