

iBoard®



Scan for
Installation Video

iBoard® by APS

PART#: IB-066C&H

READ INSTRUCTIONS CAREFULLY BEFORE STARTING INSTALLATION. REMOVE CONTENTS FROM BOX AND VERIFY ALL PARTS ARE PRESENT. ASSISTANCE IS RECOMMENDED.

*ROCKER PANEL MOUNT
*NO DRILLING REQUIRED

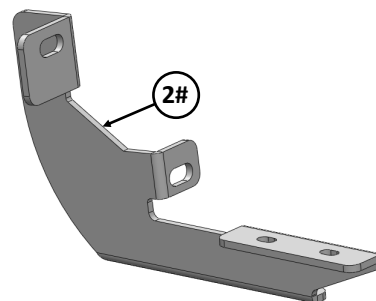
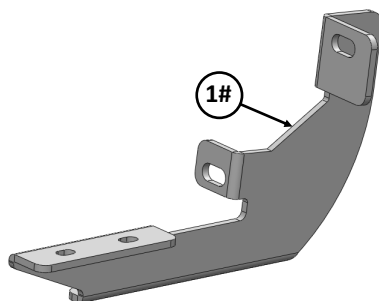
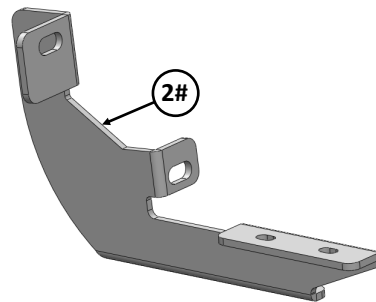
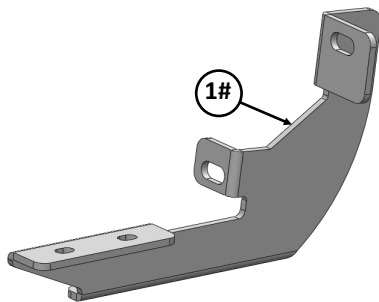
Fastener Size	Tightening Torque (ft-lbs)	Required
6mm	6-7	X
8mm	16-18	√
10mm	31-32	√
12mm	56-58	X
14mm	92-94	X

PART LIST

Driver Side Step Bar

Front
↑

Passenger Side Step Bar

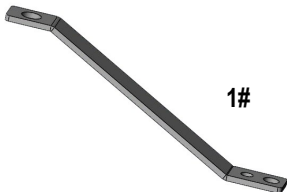


Customer Support: info@iboardauto.com




Mounting Bracket List					
Item	QTY	Description	Item	QTY	Description
1#	2	Driver Front / Rear Mounting Brackets	2#	2	Passenger Front / Rear Mounting Brackets


Hardware Package A (For Bracket Installation)					
Item	QTY	Description	Item	QTY	Description
1#	1	Insert Installation Tool	5#	4	M8X1.25-30mm Hex Bolts
2#	4	M10X1.5-25mm Hex Bolts	6#	4	M8 Large Flat Washers
3#	4	M10 Flat Washers	7#	4	M8 Lock Washers
4#	4	M10X1.5 Nylon Lock Nuts	8#	4	M8 Rivet Nuts




1#




2#




3#




4#




5#



6#

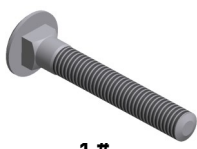


7#




8#


Hardware Package B (For Stainless Steel Step Bar Installation)					
Item	QTY	Description	Item	QTY	Description
1#	8	M8X1.25-35mm Carriage Bolts	3#	8	M8 Nylon Lock Nuts
2#	8	M8 Large Flat Washers	4#	4	Sliders (Packed with Step Bars)



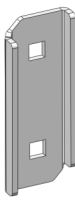
1 #



2 #



3 #

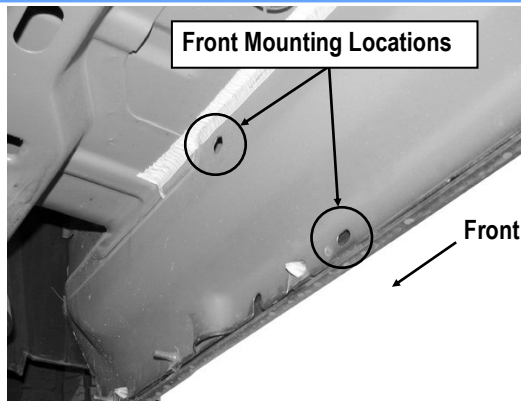


4 #



STEP 1

Start installation from the passenger side front of the vehicle. Locate the hex shaped holes on the inner body panel, (Fig 1).



(Fig 1) Passenger Side Front Mounting Location

STEP 2

Assemble the Insert Installation Tool as shown in Fig 2A. **NOTE:** Select 8mm hole on Insert Installation Tool, (Fig 2B). Insert the M8 Rivet Nut into the hex shaped hole on the body panel. Firmly keep the M8 Rivet Nut in place by holding the tool, (Fig 2C), and tighten the hex bolt until the M8 Rivet Nut has fully expanded and is locked in place, (Fig 3). **NOTE:** Do not over tighten or pull-out may occur.

Once the M8 Rivet Nut is properly installed, remove the hex bolt and Insert Installation Tool from the Rivet Nut. Repeat this step to install the remaining M8 Rivet Nuts on to other mounting locations.

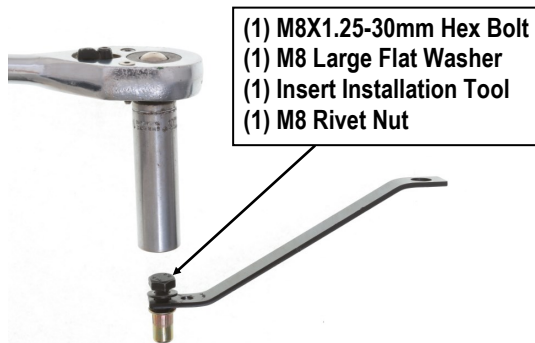


Fig 2A



Fig 2B

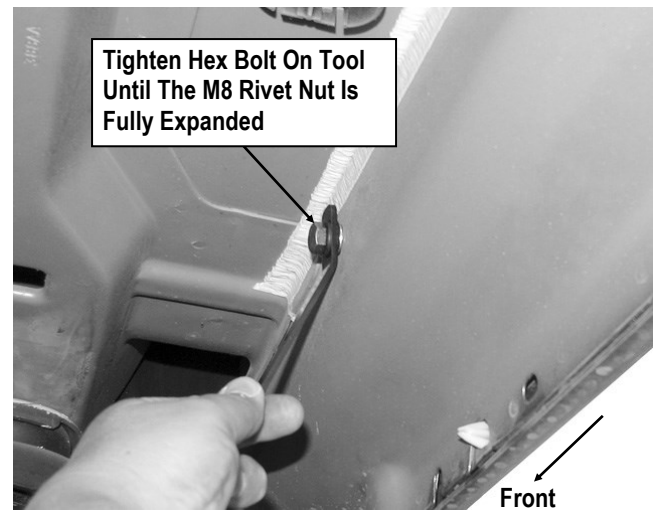
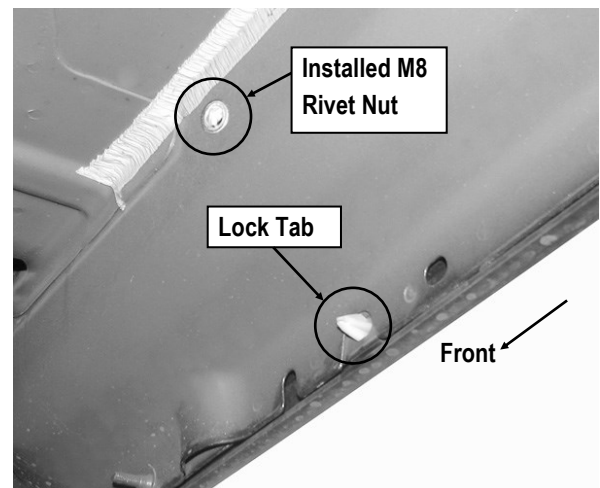


Fig 2C



(Fig 3) Squeeze Lock Tabs Together To Release Clip Holding Trim Strip To Pinch Weld



STEP 3

Remove the plastic trim strip covering the pinch weld at the bottom of the body. Use a plier to squeeze the tabs gently on the clips together to release the clip from inside of the body panel and push it back through the hole on the pinch weld, (Fig 3).

NOTE: Carefully release the clips so the trim strip can be reinstalled using the original hardware.

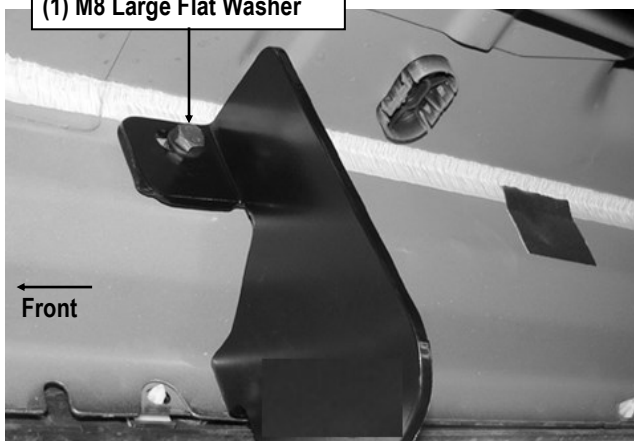
STEP 4

Select (1) Passenger Front Mounting Bracket. Line up the top mounting hole with the installed M8 Rivet Nut and the lower hole with the hole on the pinch weld.

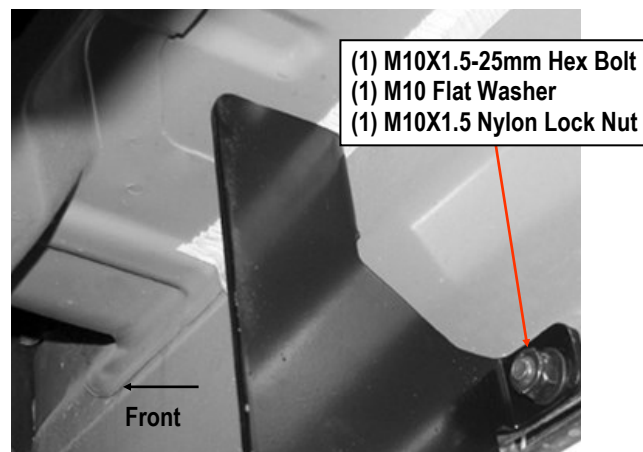
Bolt the Mounting Bracket to the M8 Rivet Nut with (1) M8X1.25-30mm Hex Bolt, (1) M8 Large Flat Washer and (1) M8 Lock Washer, (Fig 4). Bolt the lower tab of the Bracket to the pinch weld with (1) M10X1.5-25mm Hex Bolt, (2) M10 Flat Washers and (1) M10X1.5 Nylon Lock Nut, (Fig 5). Do not fully tighten hardware at this time.

NOTE: (2) Passenger Side Mounting Brackets are universal.

- (1) M8X1.25-30mm Hex Bolt
- (1) M8 Lock Washer
- (1) M8 Large Flat Washer



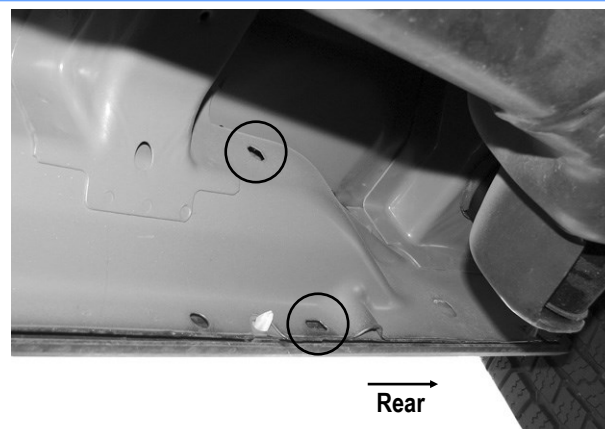
(Fig 4) Passenger Front Mounting Bracket Installation



(Fig 5) Passenger Front Mounting Bracket Installation

STEP 5

Move to the passenger side rear mounting location, (Fig 6). Repeat **Steps 1-4** for the Passenger Rear Mounting Bracket installation.



(Fig 6) Passenger Side Rear Mounting Location



STEP 6

Once all (2) Passenger side mounting brackets are installed, then proceed to the Step Bar installation. (Figs 7 & 8)

- (1) Select (1) Slider and (2) M8X1.25-35mm Carriage Bolts;
- (2) Install (2) M8X1.25-35mm Carriage Bolts in (1) Slider.
- (3) Slide the Slider (with carriage bolts) to the **Step Bar**.
- (4) Repeat to install the other (1) slider to the step bar.
- (5) Attach the Step Bar (with the Sliders) onto the installed mounting brackets. Position the Sliders to the installed brackets. Secure the Step Bar to the installed Brackets by using (4) M8 Large Flat Washers and (4) M8 Nylon Lock Nuts and (2) Sliders, (Fig 8). Do not fully tighten hardware at this time.

Note: The Sliders are packed with the Step Bars.

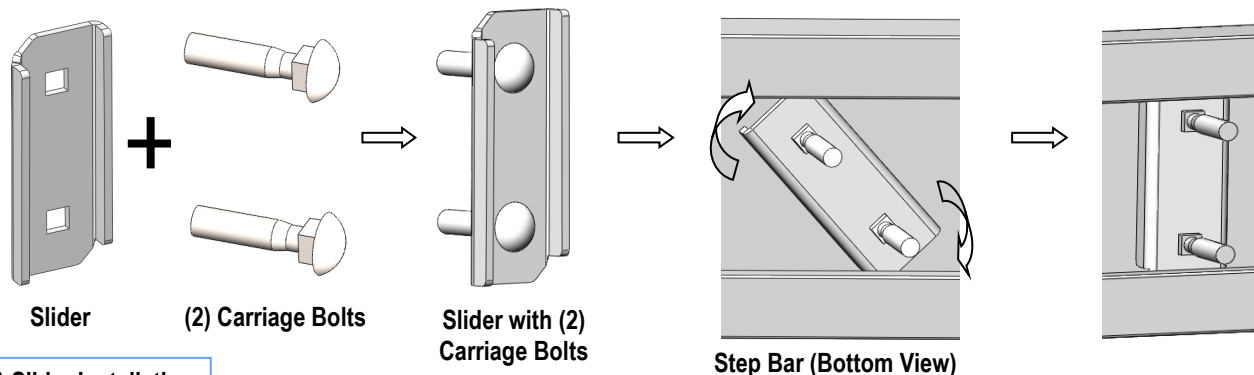
Level and adjust the Step Bar and fully tighten all hardware.

Repeat **Steps 1-6** for the other side Step Bar installation. **The installation is completed!!!**

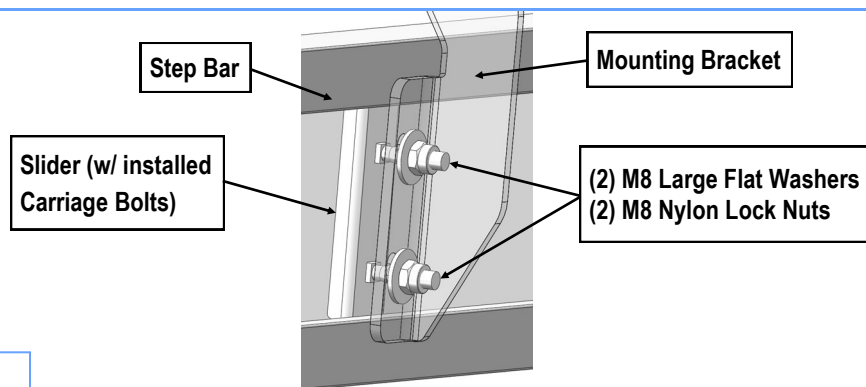
Attention

Do periodic inspections to the installation to make sure that all hardware is secure and tight.

In order to protect your bars/boards, please use mild soap/non-abrasive products for cleaning only.



(Fig 7) Slider Installation



(Fig 8) Step Bar Installation