

iBoard®



Scan for
Installation Video

iBoard® by APS

PART#: IB-065C&H

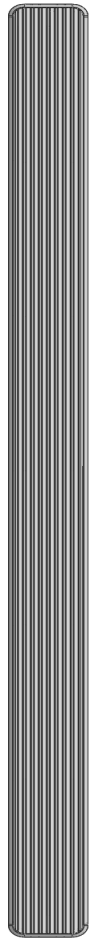
READ INSTRUCTIONS CAREFULLY BEFORE STARTING INSTALLATION. REMOVE CONTENTS FROM BOX AND VERIFY ALL PARTS ARE PRESENT. ASSISTANCE IS RECOMMENDED.

*BODY FRAME MOUNT
*NO DRILLING REQUIRED

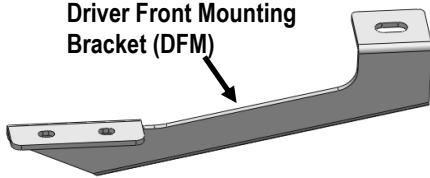
| Fastener Size | Tightening Torque (ft-lbs) | Required |
|---------------|----------------------------|----------|
| 6mm | 6-7 | X |
| 8mm | 16-18 | √ |
| 10mm | 31-32 | X |
| 12mm | 56-58 | √ |
| 14mm | 92-94 | X |

PART LIST

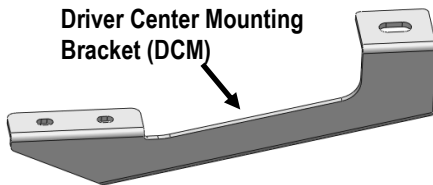
Driver Side Step Bar



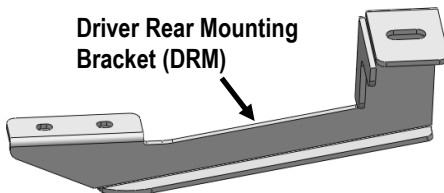
Driver Front Mounting Bracket (DFM)



Driver Center Mounting Bracket (DCM)



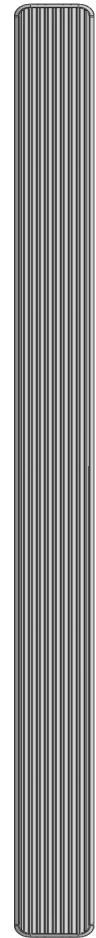
Driver Rear Mounting Bracket (DRM)



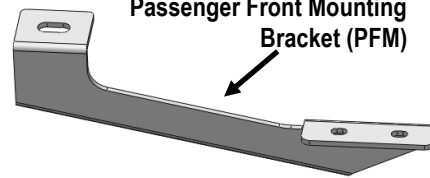
Front



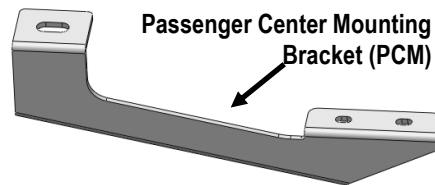
Passenger Side Step Bar



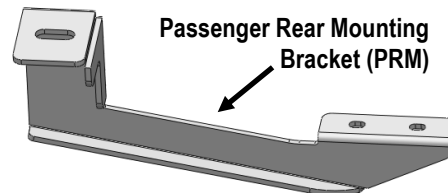
Passenger Front Mounting Bracket (PFM)



Passenger Center Mounting Bracket (PCM)



Passenger Rear Mounting Bracket (PRM)



Customer Support: info@iboardauto.com



Hardware Package A (For Bracket Installation)

| Item | QTY | Description | Item | QTY | Description |
|------|-----|--------------------------|------|-----|------------------|
| 1# | 6 | M12X1.75-120mm Hex Bolts | 3# | 6 | M12 Lock Washers |
| 2# | 6 | M12 Flat Washers | | | |



1 #



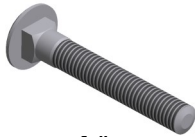
2 #



3 #

Hardware Package B (For Stainless Steel Step Bar Installation)

| Item | QTY | Description | Item | QTY | Description |
|------|-----|-----------------------------|------|-----|---------------------------------|
| 1# | 12 | M8X1.25-35mm Carriage Bolts | 3# | 12 | M8 Nylon Lock Nuts |
| 2# | 12 | M8 Large Flat Washers | 4# | 6 | Sliders (Packed with Step Bars) |



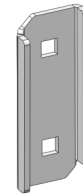
1 #



2 #



3 #



4 #



STEP 1

Start installation from the passenger side of the vehicle. Remove the body mount bolts from body mounts.

Select the Passenger Front Mounting Bracket (**PFM**), Passenger Center Mounting Bracket (**PCM**) and Passenger Rear Mounting Bracket (**PRM**). Bolt the (3) mounting brackets to the vehicle with (3) M12X1.75-120mm Hex Bolts, (3) M12 Lock Washers and (3) M12 Flat Washers (**Fig 1**). Do not fully tighten hardware at this time.

STEP 2

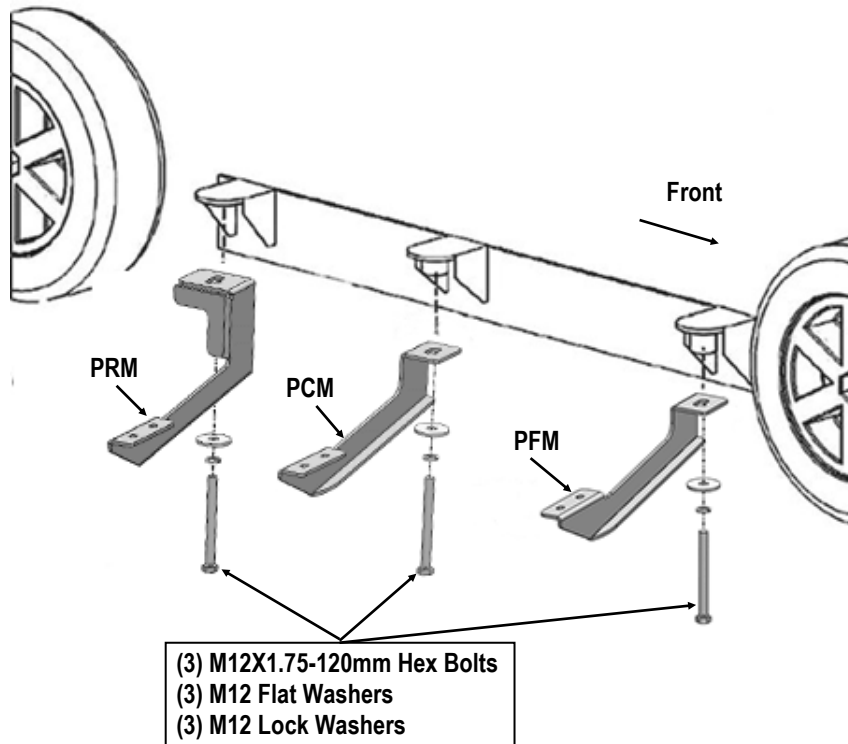
Once all (3) Passenger side mounting brackets are installed, then proceed to the Step Bar installation. (**Figs 2 & 3**)

- (1) Select (1) Slider and (2) M8X1.25-35mm Carriage Bolts;
- (2) Install (2) M8X1.25-35mm Carriage Bolts in (1) Slider.
- (3) Slide the Slider (with carriage bolts) to the **Step Bar**.
- (4) Repeat to install the other (2) sliders to the step bar.
- (5) Attach the Step Bar (with the Sliders) onto the installed mounting brackets. Position the Sliders to the installed brackets. Secure the Step Bar to the installed Brackets by using (6) M8 Large Flat Washers and (6) M8 Nylon Lock Nuts and (3) Sliders, (**Fig 3**). Do not fully tighten hardware at this time.

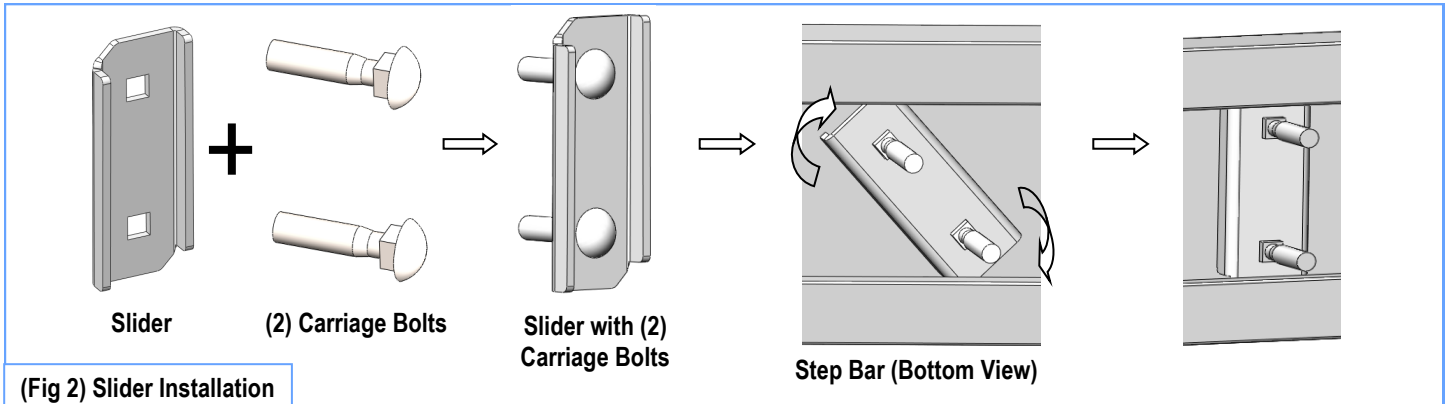
Note: The Sliders are packed with the Step Bars.

Level and adjust the Step Bar and fully tighten all hardware.

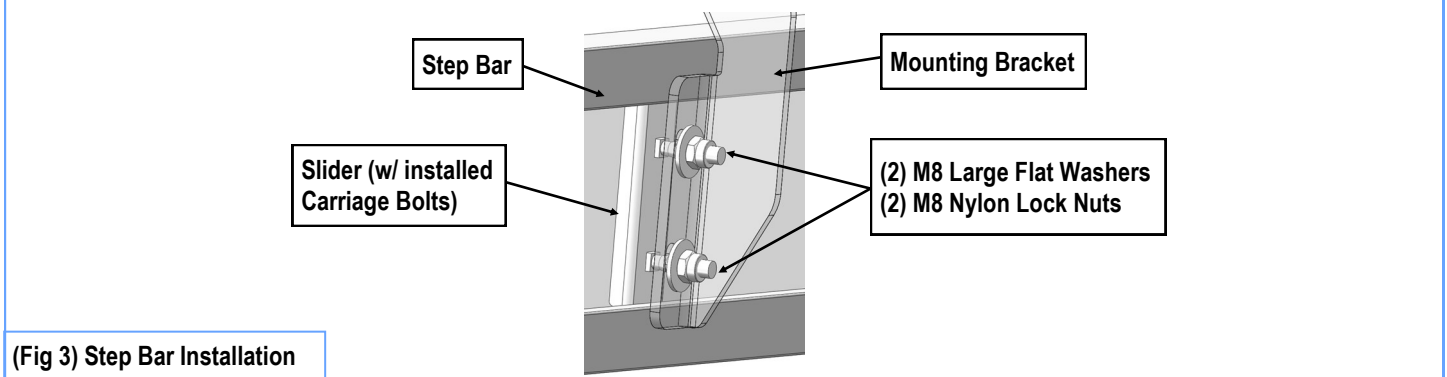
Repeat **Steps 1-2** for the other side Step Bar installation. **The installation is completed!!!**



(Fig 1) Passenger Side Mounting Brackets Installation



(Fig 2) Slider Installation



(Fig 3) Step Bar Installation

Attention

Do periodic inspections to the installation to make sure that all hardware is secure and tight.
In order to protect your bars/boards, please use mild soap/non-abrasive products for cleaning only.