

# iBoard®

## iBoard® by APS

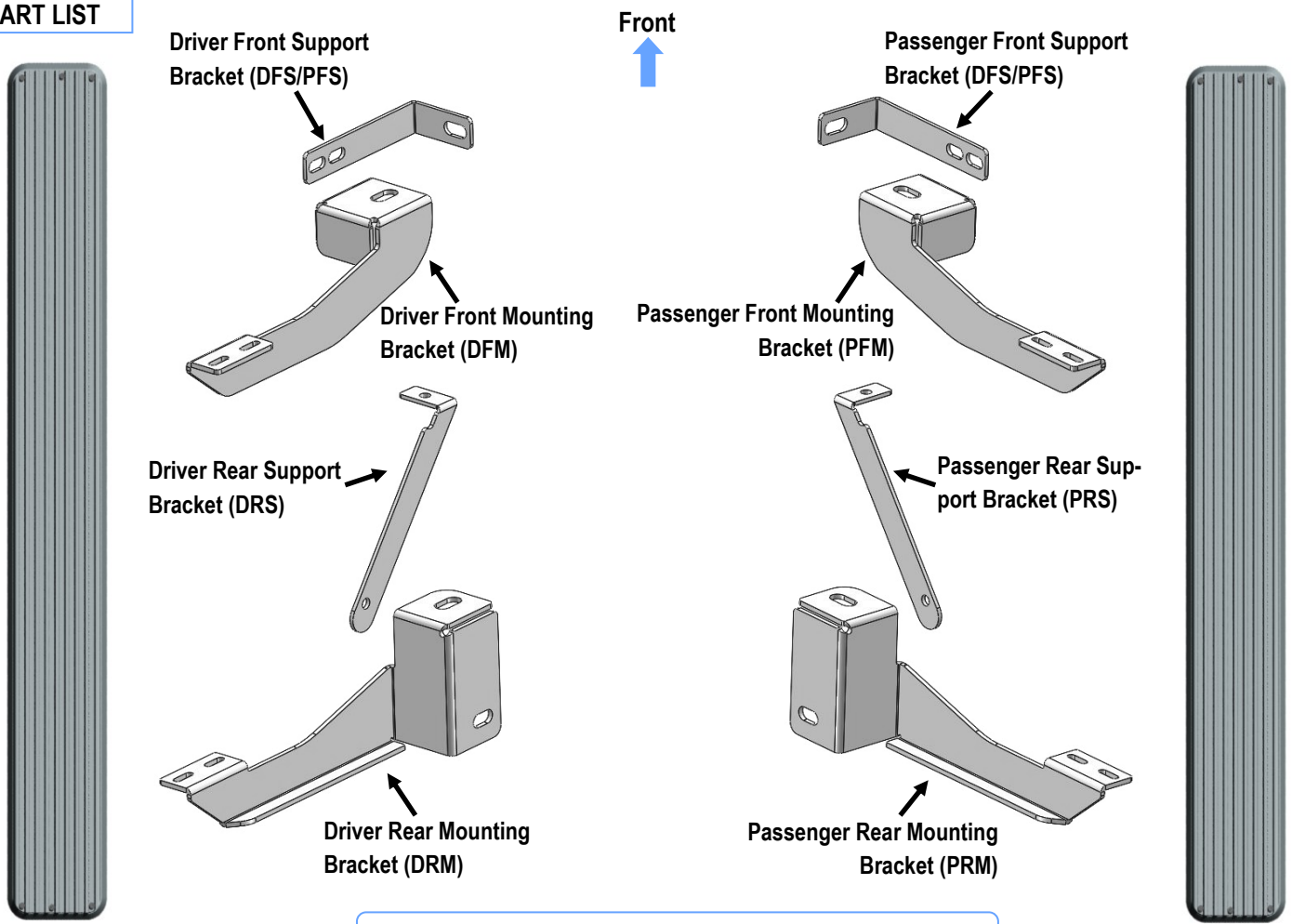
PART#: IB-064

READ INSTRUCTIONS CAREFULLY BEFORE STARTING INSTALLATION. REMOVE CONTENTS FROM BOX AND VERIFY ALL PARTS ARE PRESENT. ASSISTANCE IS RECOMMENDED.

\*BODY FRAME MOUNT  
\*NO DRILLING REQUIRED

Fastener Size	Tightening Torque (ft-lbs)	Required
6mm	6-7	√
8mm	16-18	√
10mm	31-32	√
12mm	56-58	√
14mm	92-94	X

### PART LIST



Note: Driver & Passenger Front Support Brackets are universal.

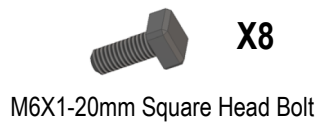
Customer Support: [info@iboardauto.com](mailto:info@iboardauto.com)

# iBoard®

## Hardware Package A (For Bracket Installation)



## Hardware Package B (For Aluminum Step Bar Installation Only, Not Supply to Stainless Steel Step Bar)



## Hardware Package C (For Stainless Steel Step Bar Installation Only, Not Supply to Aluminum Step Bar)



### STEP 1

Start installing from the passenger side front of the vehicle. Remove the passenger front body mount bolt.

### STEP 2

Assemble Passenger Front Mounting Bracket (**PFM**) and Passenger Front Support Bracket (**DFS/PFS**) with (2) M10X1.5-30mm Hex Bolts, (4) M10 Flat Washers, (2) M10 Lock Washers and (2) M10 Hex Nuts, (**Fig 1**). Do not fully tighten hardware at this time.

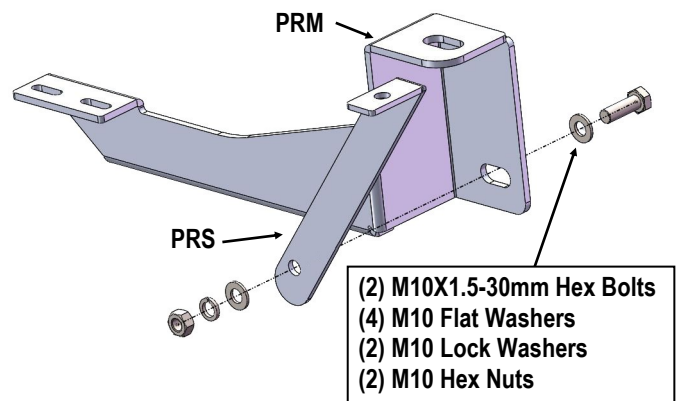
# iBoard®

## STEP 4

Move to the passenger side rear mounting location. Remove the passenger rear body mount bolt.

## STEP 5

Assemble Passenger Rear Mounting Bracket (**PRM**) and Passenger Rear Support Bracket (**PRS**) with (1) M10X1.5-30mm Hex Bolt, (2) M10 Flat Washers, (1) M10 Lock Washer and (1) M10 Hex Nut, (**Fig 3**). Do not fully tighten hardware at this time.



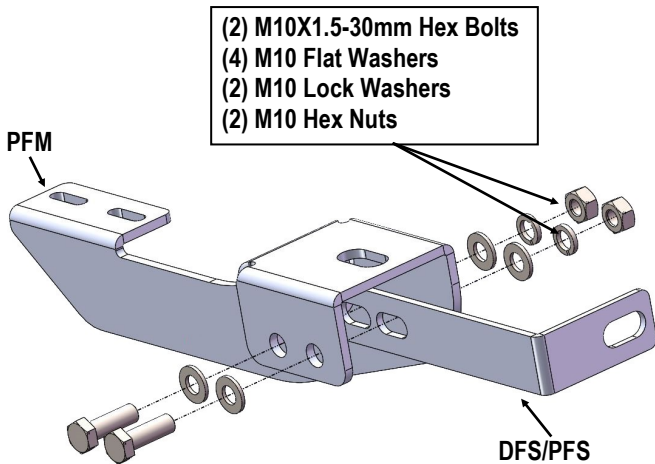
(Fig 3) Passenger Side Rear Brackets Assembly

## STEP 6

Attach the assembled Passenger Rear Mounting Bracket (**PRM**) to the vehicle with factory bolts, (**Fig 4 & 5**). Attach Passenger Rear Support Bracket (**PRS**) to the factory hole on the inner side of body mount cavity and closer to the frame using:

**05-07 Models:**  
(1) M8X1.25-25mm Hex Bolt, (1) M8 Nylon Lock Nut, (2) M8 Flat Washers (**Fig 4**). Do not fully tighten hardware at this time.

**08-On Models:**  
(1) M6X1-30mm Hex Bolt, (1) M6 Nylon Lock Nut, (2) M6 Flat Washers (**Fig 5**). Do not fully tighten hardware at this time.

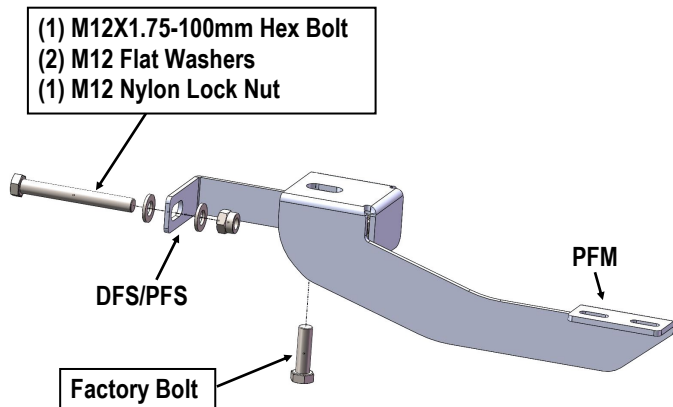


(Fig 1) Passenger Side Front Brackets Assembly

## STEP 3

Attach the assembled Passenger Front Mounting Bracket (**PFM**) to the vehicle with factory bolt, (**Fig 2 & 3**).

Attach Passenger Front Support Bracket (**DFS/PFS**) to smaller factory hole in the frame using (1) M12X1.75-100mm Hex Bolt, (1) M12 Nylon Lock Nut, (2) M12 Flat Washers, (**Fig 2 & 3**). Do not fully tighten hardware at this time.



(Fig 2) Passenger Side Front Brackets Installation

# iBoard®

## STEP 8

### Aluminum Step Bar Installation:

Select a **Aluminum Step Bar**. Slip (2) M6x1-20mm Square Head Bolts into each bottom channel (**Fig 6**). Carefully position the Step Bar onto the (2) Mounting Brackets.

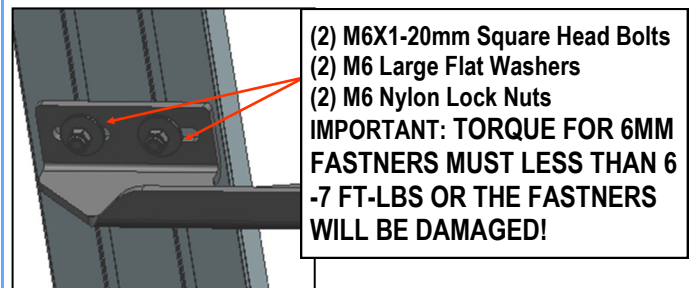
**IMPORTANT:** Do not slide the Step Bar on the Brackets or the bottom surface of the board will be damaged. Attach the Step Bar to each Mounting Brackets with (2) M6x1-20mm Square Head Bolts, (2) M6 Large Flat Washers and (2) M6 Nylon Lock Nuts, (**Fig 7**). Do not fully tighten at this time.

Level and adjust the Step Bar and fully tighten all hardware.

Repeat **Steps 1-8** for the other side Step Bar installation. **The installation is completed!!!**



(Fig 6) Slip M6X1-20mm Square Head Bolts Into The Bottom Channels

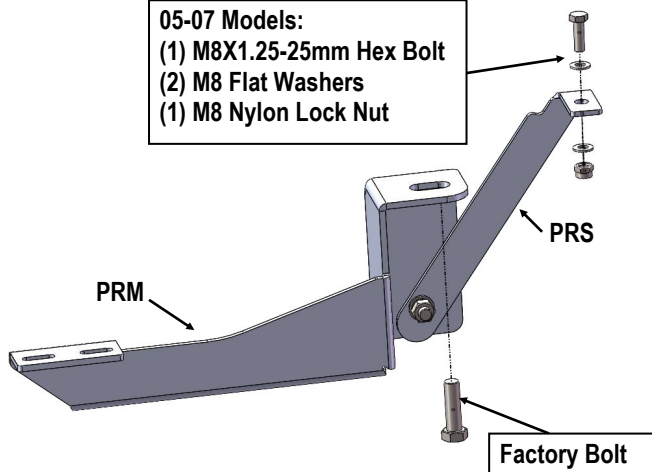


(2) M6X1-20mm Square Head Bolts  
(2) M6 Large Flat Washers  
(2) M6 Nylon Lock Nuts  
**IMPORTANT: TORQUE FOR 6MM FASTNERS MUST LESS THAN 6 -7 FT-LBS OR THE FASTNERS WILL BE DAMAGED!**

(Fig 7) Running Board Installed Onto Mounting Bracket

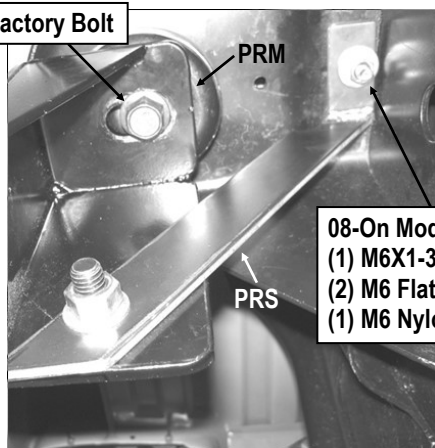
05-07 Models:

- (1) M8X1.25-25mm Hex Bolt
- (2) M8 Flat Washers
- (1) M8 Nylon Lock Nut



(Fig 4) Passenger Side Rear Brackets Installation (05-07 Models)

Factory Bolt



08-On Models:

- (1) M6X1-30mm Hex Bolt
- (2) M6 Flat Washers
- (1) M6 Nylon Lock Nut

(Fig 5) Passenger Side Rear Brackets Installation (08-On Models)

## STEP 7

Once all (2) mounting brackets are installed, then proceed to the Step Bar installation. According to the style of Step Bar proceed to the correct installation STEPS.

**Note:** Aluminum Step Bar refer to STEP 8; Stainless Steel Step Bar skip to STEP 9.

# iBoard®

## STEP 9

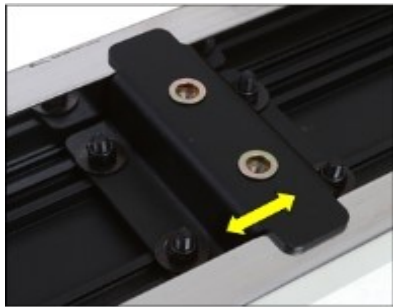
### Stainless Steel Step Bar Installation:

Select a **Stainless Steel Step Bar** (with the U-Sliders installed on the Bar). Loosen the U-Sliders, reposition the U-Sliders onto the board according to the (2) Installed Mounting Brackets location, (**Fig 8**). Re-secure the U-Sliders on the Step Bar. Attach the Step Bar to the installed Mounting Brackets with (4) M6X1-20mm Hex Bolts, (4) M6 Large Flat Washers & (4) M6 Lock Washers, (**Fig 9**). Do not fully tighten hardware at this time.

Level and adjust the Step Bar and fully tighten all hardware.

Repeat **Steps 1-7 and 9** for the other side Step Bar installation.

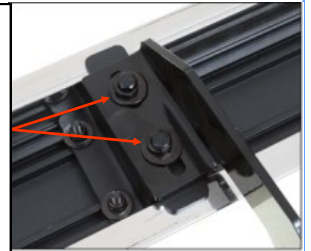
**The installation is completed!!!**



(Fig 8) Slide & line up the U-Slider with the installed mounting brackets along bottom channel

- (2) M6X1-20mm Hex Bolts
- (2) M6 Large Flat Washers
- (2) M6 Lock Washers

**IMPORTANT: TORQUE FOR 6MM FASTNERS MUST LESS THAN 6-7 FT-LBS OR THE FASTNERS WILL BE DAMAGED!**



(Fig 9) Step Bar Installed on Bracket Installed (Example)

### Attention

**Do periodic inspections to the installation to make sure that all hardware is secure and tight.**

**In order to protect your bars/boards, please use only mild soap/non-abrasive products for cleaning.**