

iBoard®

iBoard® by APS

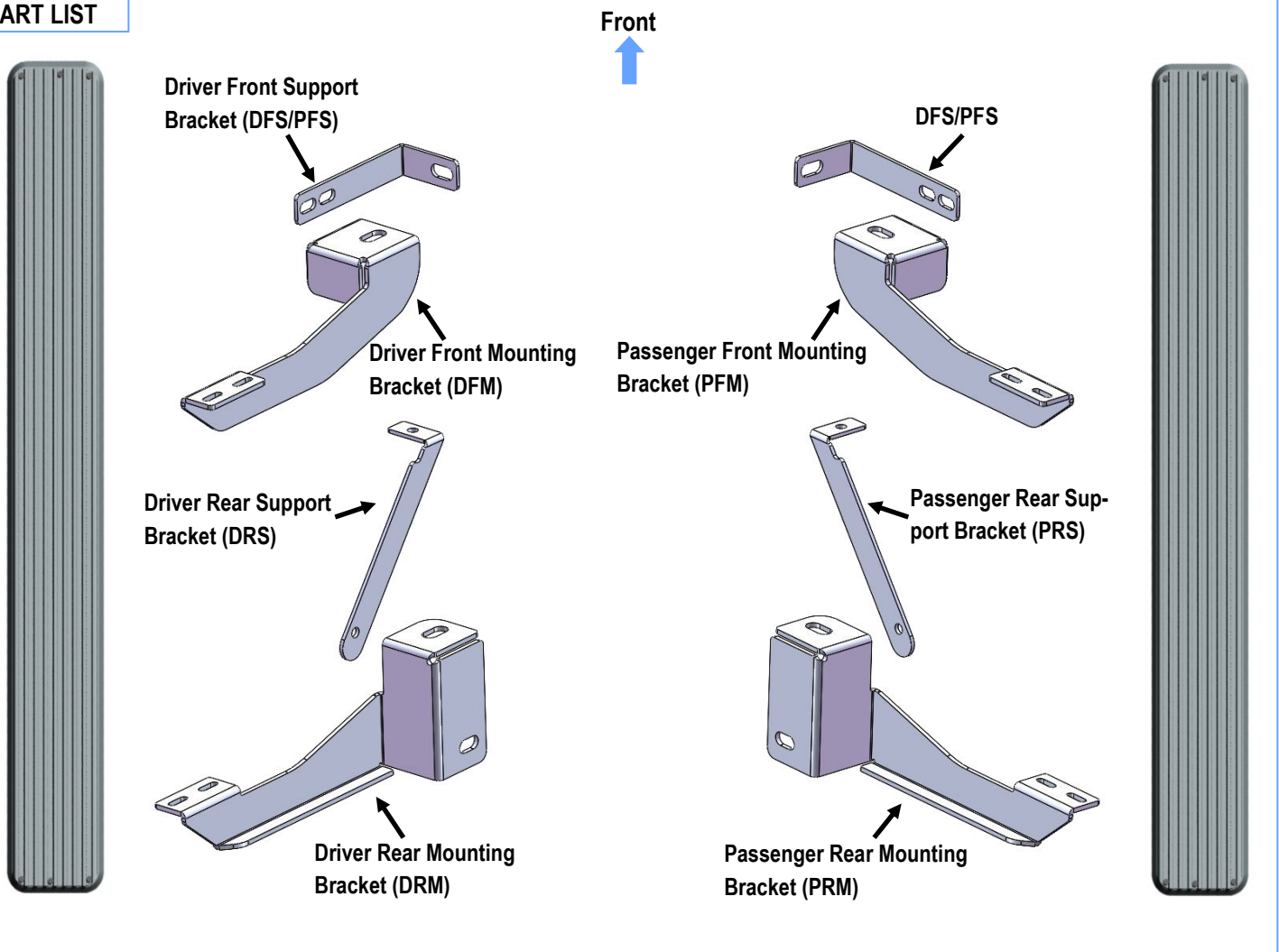
PART#: IB-064A-B

READ INSTRUCTIONS CAREFULLY BEFORE STARTING INSTALLATION. REMOVE CONTENTS FROM BOX AND VERIFY ALL PARTS ARE PRESENT. ASSISTANCE IS RECOMMENDED.

*BODY FRAME MOUNT
*NO DRILLING REQUIRED

Fastener Size	Tightening Torque (ft-lbs)
6mm	6-7
8mm	16-18
10mm	31-32
12mm	56-58
14mm	92-94

PART LIST



Customer Support: info@iboardauto.com

iBoard®

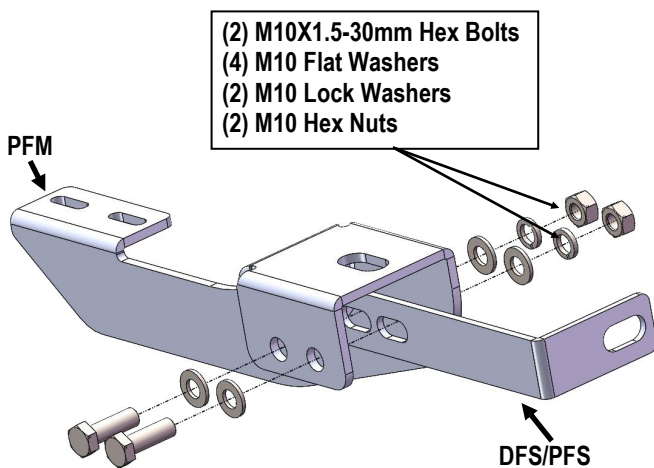


STEP 1

Start installing from the passenger side front of the vehicle. Remove the passenger front body mount bolt.

STEP 2

Assemble Passenger Front Mounting Bracket (PFM) and Passenger Front Support Bracket (DFS/PFS) with (2) M10X1.5-30mm Hex Bolts, (4) M10 Flat Washers, (2) M10 Lock Washers and (2) M10 Hex Nuts, (Fig 1). Do not fully tighten hardware at this time.

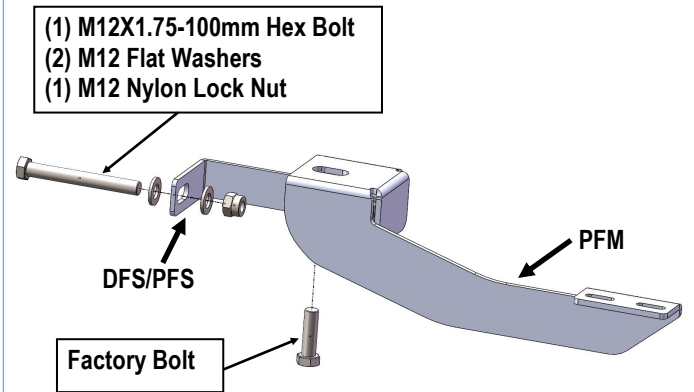


(Fig 1) Passenger Side Front Brackets Assembly

STEP 3

Attach the assembled Passenger Front Mounting Bracket (PFM) to the vehicle with factory bolt, (Fig 2 & 3).

Attach Passenger Front Support Bracket (DFS/PFS) to smaller factory hole in the frame using (1) M12X1.75-100mm Hex Bolt, (1) M12 Nylon Lock Nut, (2) M12 Flat Washers (Fig 2 & 3). Do not fully tighten hardware at this time.



(Fig 2) Passenger Side Front Brackets Installation

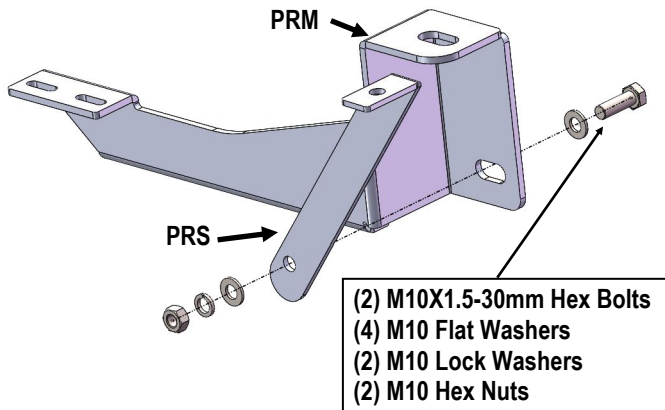
STEP 4

Move to the passenger side rear mounting location. Remove the passenger rear body mount bolt.

iBoard®

STEP 5

Assemble Passenger Rear Mounting Bracket (PRM) and Passenger Rear Support Bracket (PRS) with (1) M10X1.5-30mm Hex Bolt, (2) M10 Flat Washers, (1) M10 Lock Washer and (1) M10 Hex Nut, (Fig 3). Do not fully tighten hardware at this time.



(Fig 3) Passenger Side Rear Brackets Assembly

STEP 6

Attach the assembled Passenger Rear Mounting Bracket (PRM) to the vehicle with factory bolts, (Fig 4 & 5).

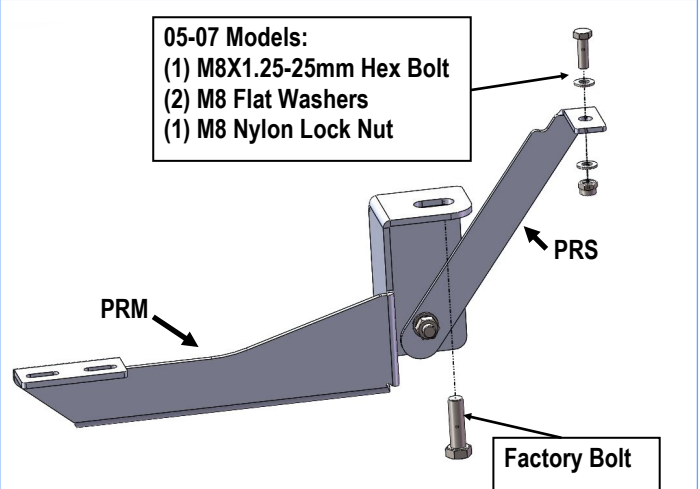
Attach Passenger Rear Support Bracket (PRS) to the factory hole on the inner side of body mount cavity and closer to the frame using:

05-07 Models:

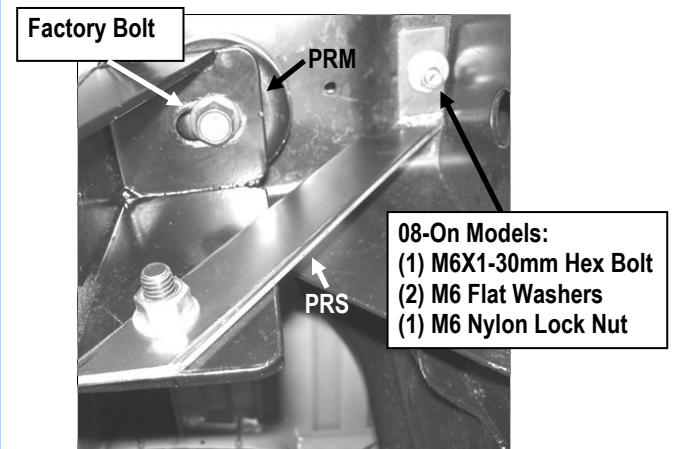
(1) M8X1.25-25mm Hex Bolt, (1) M8 Nylon Lock Nut, (2) M8 Flat Washers (Fig 4). Do not fully tighten hardware at this time.

08-On Models:

(1) M6X1-30mm Hex Bolt, (1) M6 Nylon Lock Nut, (2) M6 Flat Washers (Fig 5). Do not fully tighten hardware at this time.



(Fig 4) Passenger Side Rear Brackets Installation (05-07 Models)



(Fig 5) Passenger Side Rear Brackets Installation (08-On Models)

STEP 7

Select a Running Board. Slip (2) M6X1-20mm Square Head Bolts into each bottom channel (Fig 6). Carefully position the Running Board onto the (2) Mounting Brackets.

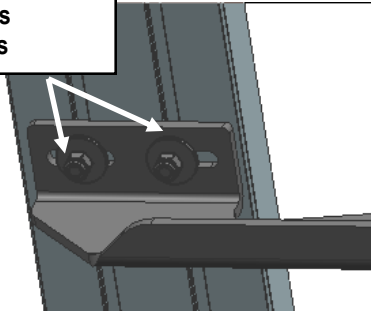
IMPORTANT: Do not slide the Running Board on the Brackets or the bottom surface of the board will be damaged. Attach the Running Board to each Mounting Brackets with (2) M6x1-20mm Square Head Bolts, (2) M6 Large Flat Washers and (2) M6 X1 Nylon Lock Nuts (Fig 7). Do not fully tighten at this time.

iBoard®



(Fig 6) Slip M6X1-20mm Square Head Bolts Into The Bottom Channels

- (2) M6X1-20mm Square Head Bolts
- (2) M6 Large Flat Washers
- (2) M6X1 Nylon Lock Nuts



(Fig 7) Running Board Installed Onto the Mounting Bracket

STEP 8

Level and adjust the Running Board and fully tighten all hardware.

STEP 9

Repeat **Steps 1-8** for the other side Running Board installation. The installation is completed, (Fig 8).



(Fig 8) Installation Completed

Attention

Do periodic inspections to the installation to make sure that all hardware is secure and tight.

In order to protect your bars/boards, please use only mild soap/non-abrasive products for cleaning.