



iBoard® by APS

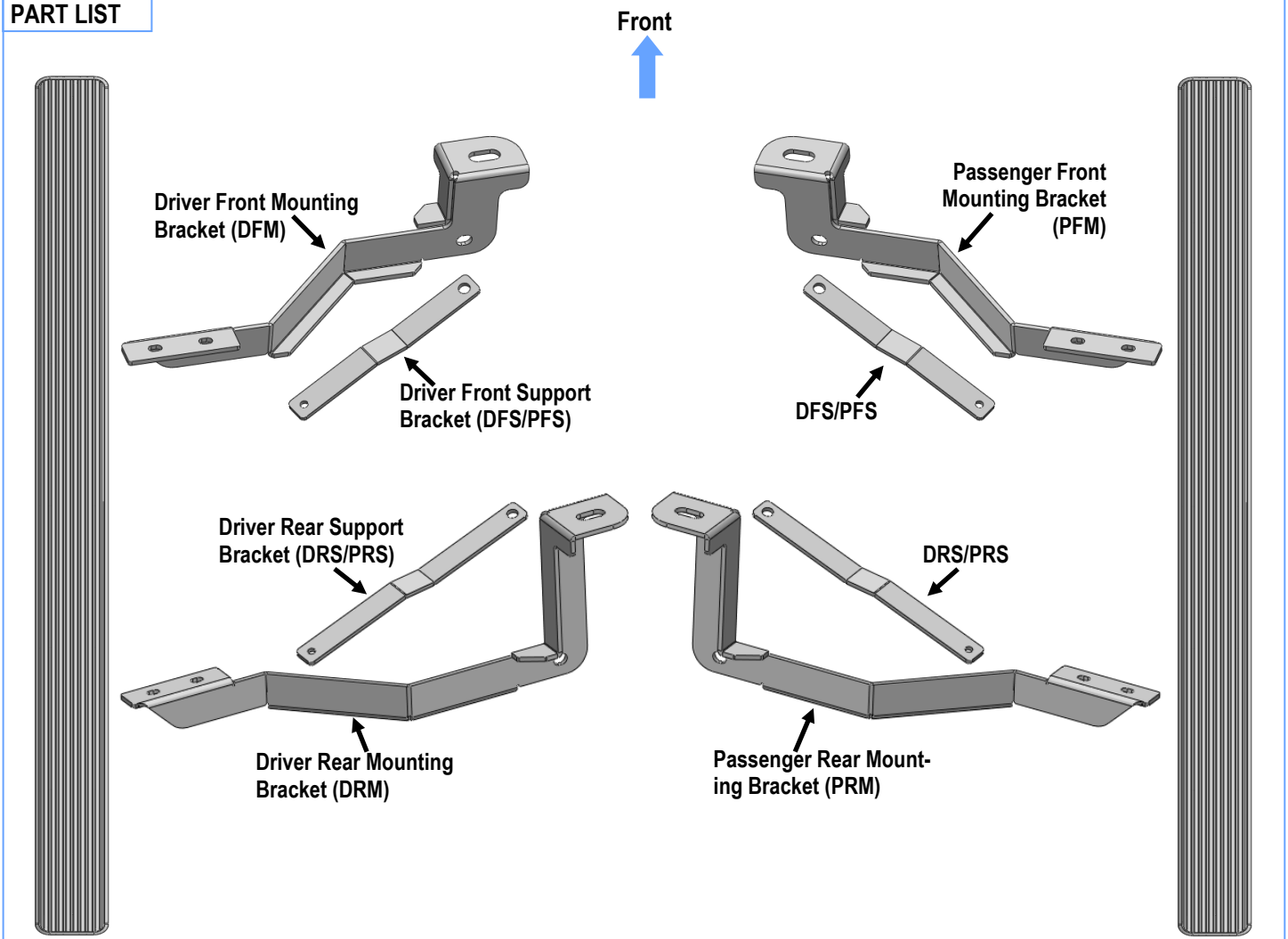
PART#: IB-046C&H

READ INSTRUCTIONS CAREFULLY BEFORE STARTING INSTALLATION. REMOVE CONTENTS FROM BOX AND VERIFY ALL PARTS ARE PRESENT. ASSISTANCE IS RECOMMENDED.

*BODY FRAME MOUNT
*DRILLING IS REQUIRED

Fastener Size	Tightening Torque (ft-lbs)	Required
6mm	6-7	√
8mm	16-18	√
10mm	31-32	√
12mm	56-58	√
14mm	92-94	X

PART LIST

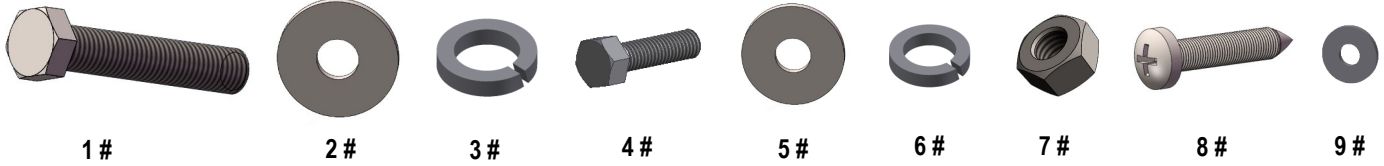


Customer Support: info@iboardauto.com



Hardware Package A (For Bracket Installation)

Item	QTY	Description	Item	QTY	Description
1#	4	M12X1.75-120mm Hex Bolts	6#	4	M10 Lock Washers
2#	4	M12 Large Flat Washers	7#	4	M10 Hex Nuts
3#	4	M12 Lock Washers	8#	4	ST6.3x32 Sheet Metal Screws
4#	4	M10X1.5-35mm Hex Bolts	9#	4	M6 Large Flat Washers
5#	8	M10 Large Flat Washers			



1 #

2 #

3 #

4 #

5 #

6 #

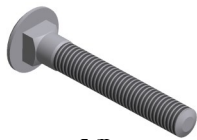
7 #

8 #

9 #

Hardware Package B (For Stainless Steel Step Bar Installation)

Item	QTY	Description	Item	QTY	Description
1#	8	M8X1.25-35mm Carriage Bolts	3#	8	M8 Nylon Lock Nuts
2#	8	M8 Large Flat Washers	4#	4	Sliders (Packed with Step Bars)



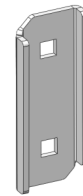
1 #



2 #



3 #



4 #

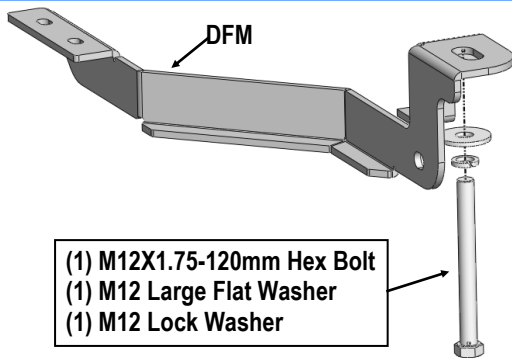


STEP 1

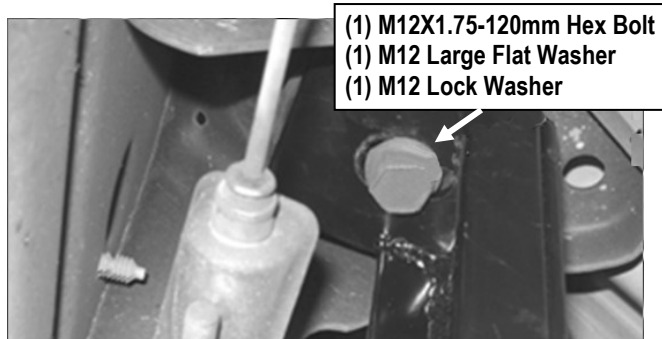
Start installation from the driver side front of the vehicle. Remove the body mount bolt from the front mounting location.

STEP 2

Bolt Driver Front Mounting Bracket (DFM) to the body mount of vehicle with (1) M12X1.75-120mm Hex Bolt, (1) M12 Lock Washer, and (1) M12 Large Flat Washer (Figs 1&2). Do not fully tighten hardware at this time.



(Fig 1) Driver Front Mounting Bracket (DFM) Installation



(Fig 2) Driver Front Mounting Bracket (DFM) Installed

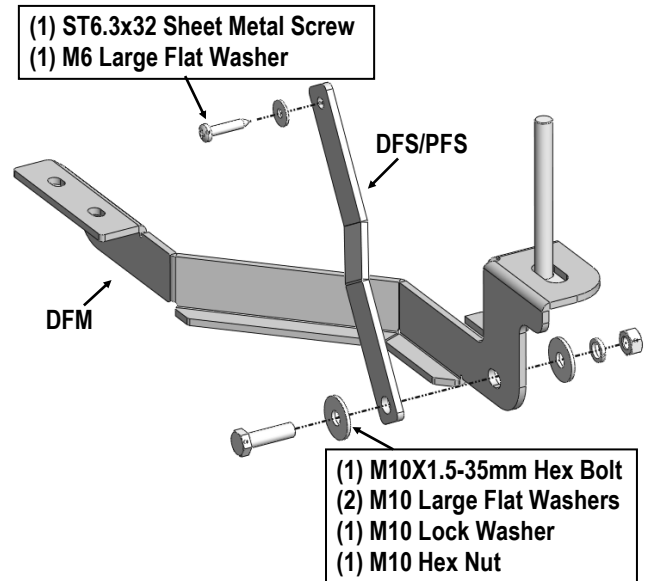
STEP 3

Select the Driver Front Support Bracket (DFS/PFS). Attach the Support Bracket to the Driver Front Mounting Bracket with (1) M10X1.5-35mm Hex Bolt, (1) M10 Lock Washer, (2) M10 Large Flat Washers and (1) M10 Hex Nut, (Fig 3). Do not fully tighten hardware at this time.

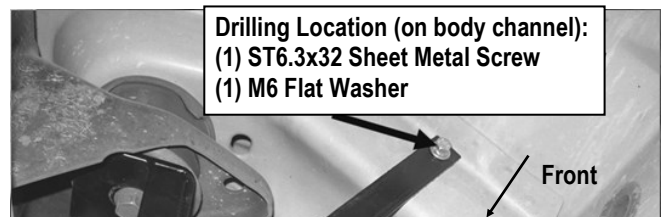
NOTE: The larger hole on the Support Bracket should connect to the Mounting Bracket.

Attach the smaller hole on the other end of the Support Bracket to the body channel, and mark the hole position onto the body channel. Remove Support Bracket from body channel, and drill a 6mm hole on the mark. Once the hole was drilled on the body channel, attach the Support Bracket to the drilled hole using the included (1) ST6.3x32 Sheet Metal Screw and (1) M6 Large Flat Washer (Figs 3&4).

IMPORTANT! Any cutting or drilling tool may break or shatter. Government regulations require safety glasses & equipment at all times when cutting or drilling.



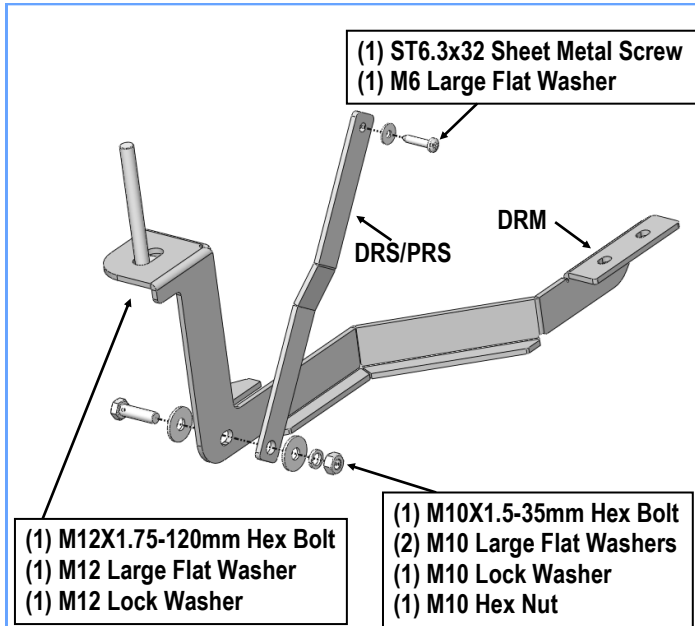
(Fig 3) Driver Front Support Brackets Installation



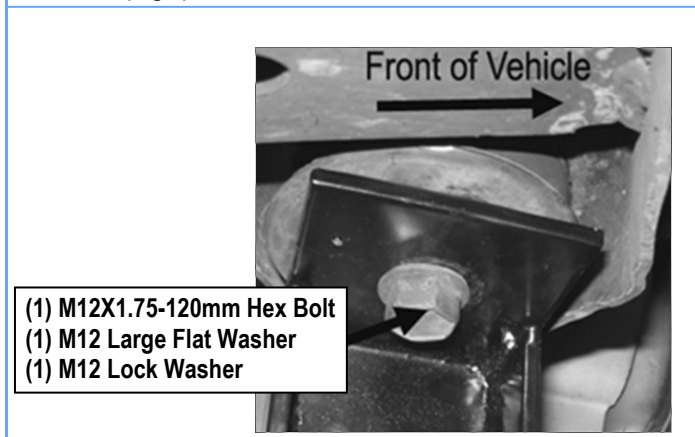
(Fig 4) Driver Front Support Bracket (DFS/PFS) Installed

STEP 4

Move to driver side rear of the vehicle. Repeat Steps 1-3 for driver side rear Bracket installation, (Figs 5-7).



(Fig 5) Driver Side Rear Brackets Installation



(Fig 6) Driver Side Rear Mounting Bracket (DRM) Installed



(Fig 7) Driver Side Rear Support Bracket (DRS/PRS) Installed

STEP 5

Once all (2) Driver side mounting brackets are installed, then proceed to the Step Bar installation. (Figs 7 & 8)

- (1) Select (1) Slider and (2) M8X1.25-35mm Carriage Bolts;
- (2) Install (2) M8X1.25-35mm Carriage Bolts in (1) Slider.
- (3) Slide the Slider (with carriage bolts) to the **Step Bar**.
- (4) Repeat to install the other (1) slider to the step bar.
- (5) Attach the Step Bar (with the Sliders) onto the installed mounting brackets. Position the Sliders to the installed brackets. Secure the Step Bar to the installed Brackets by using (4) M8 Large Flat Washers and (4) M8 Nylon Lock Nuts and (2) Sliders, (Fig 8).

Do not fully tighten hardware at this time.

Note: The Sliders are packed with the Step Bars.

Level and adjust the Step Bar and fully tighten all hardware.

Repeat **Steps 1-5** for the other side Step Bar installation. **The installation is completed!!!**

Attention

Do periodic inspections to the installation to make sure that all hardware is secure and tight.

In order to protect your bars/boards, please use mild soap/non-abrasive products for cleaning only.

