

iBoard®

iBoard® by APS

PART#: IB-030A-B

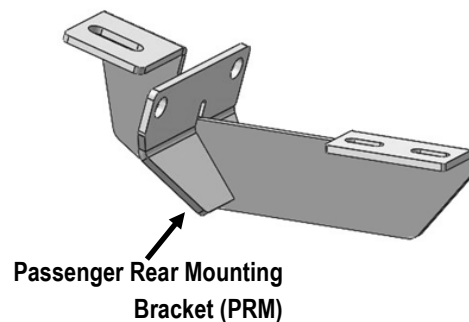
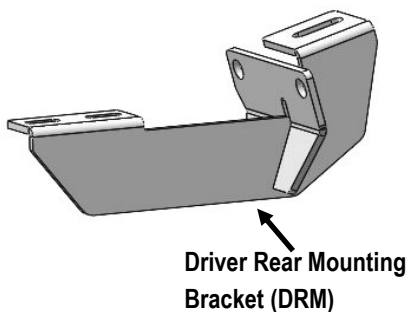
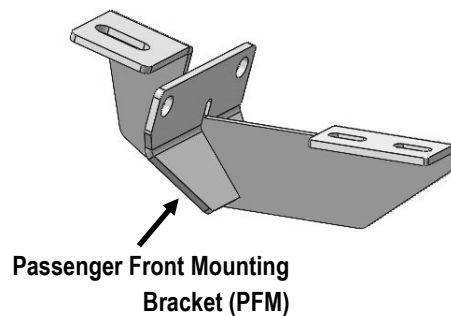
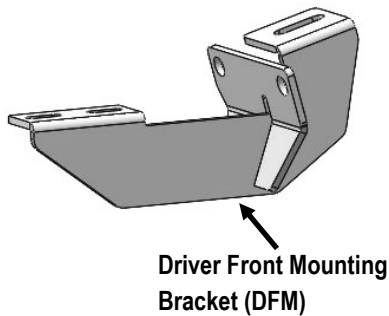
READ INSTRUCTIONS CAREFULLY BEFORE STARTING INSTALLATION. REMOVE CONTENTS FROM BOX AND VERIFY ALL PARTS ARE PRESENT. ASSISTANCE IS RECOMMENDED.

*BODY FRAME MOUNT
*NO DRILLING REQUIRED

Fastener Size	Tightening Torque (ft-lbs)
6mm	6-7
8mm	16-18
10mm	31-32
12mm	56-58
14mm	92-94

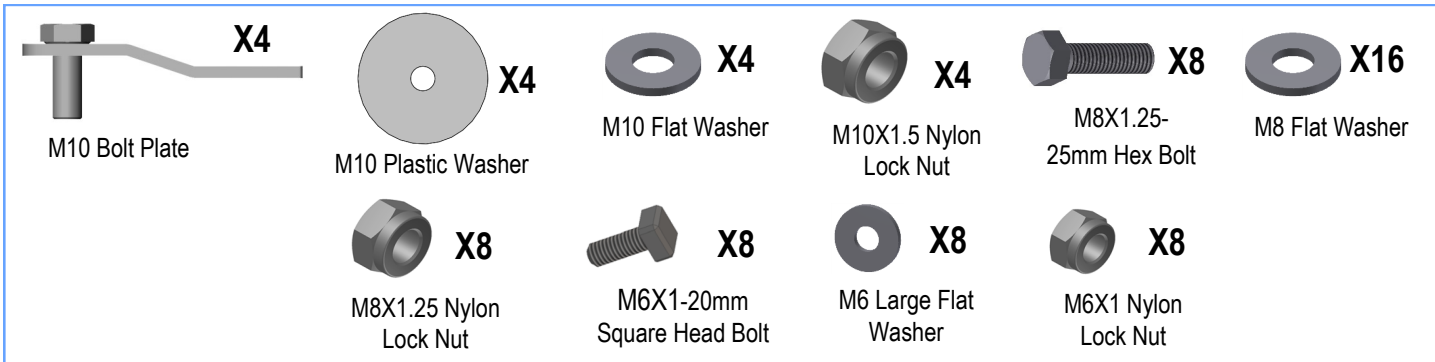
PART LIST

Front
↑



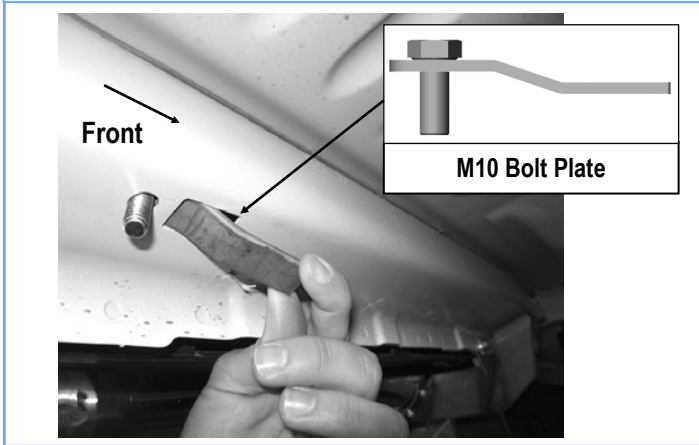
Customer Support: info@iboardauto.com

iBoard®



STEP 1

Start installation from the driver side front of the vehicle. Insert (1) M10 Bolt Plate into the rectangular hole located in the side panel, and threaded M10 Bolt Plate drops through round hole (Fig 1).



(Fig 1) Driver Side Front Mounting Location

STEP 2

Select the Driver Front Mounting Bracket (DFM). Attach the Driver Front Mounting Bracket (DFM) to the inserted M10 Bolt Plate with: (1) M10 Plastic Washer, (1) M10X1.5 Nylon Lock Nut and (1) M10 Flat Washer, (Figs 3 & 4). Do not fully tighten hardware at this time.

Note: Driver Side Mounting Brackets are not universal with Passenger Side Mounting Brackets, (Fig 2).

NOTE: the Driver Front Mounting Bracket is shorter than the Rear one. Make sure the 10mm mounting tab on the bracket faces the front of the vehicle.

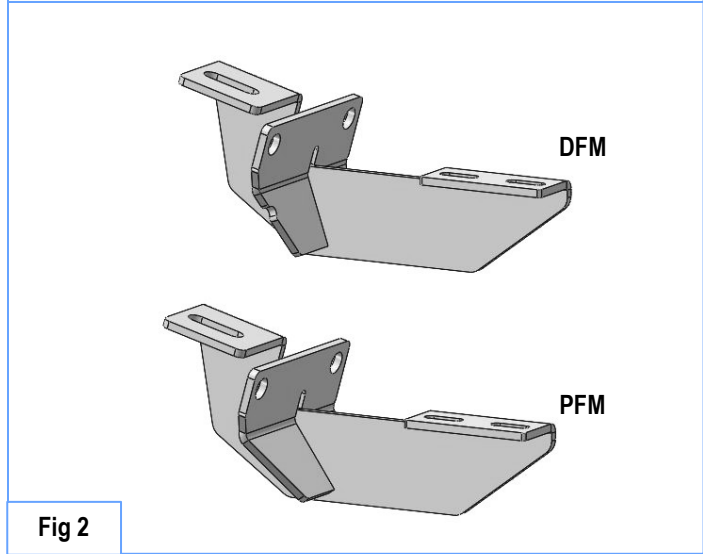


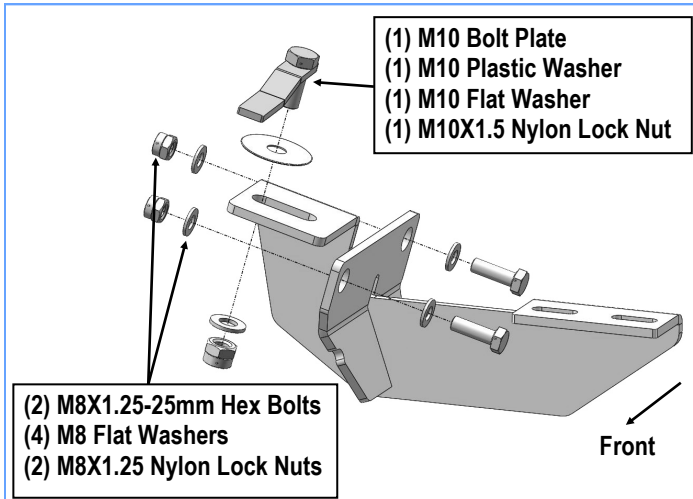
Fig 2

STEP 3

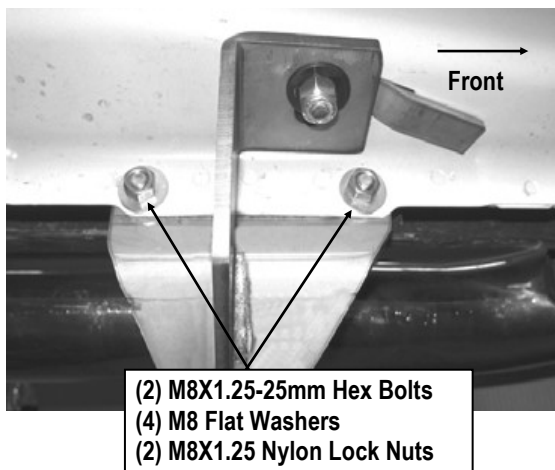
Attach the Driver Front Mounting Bracket (DFM) to pinch weld using: (2) M8x1.25-25mm Hex Bolts, (2) M8 x1.25 Nylon Lock Nuts, and (4) M8 Flat Washers, (Figs 3 & 4). Do not fully tighten hardware at this time.

Note: Make sure that the vertical mounting plate on Bracket is on the outer side of the pinch weld.

iBoard®



(Fig 2) Driver Front Mounting Bracket Installation



(Fig 3) Driver Front Mounting Bracket Installation

STEP 4

Move to the driver side rear of the vehicle. Repeat **steps 1-3** to install the Driver Rear Mounting Bracket (**DRM**). Don't fully tighten hardware at this time.

STEP 5

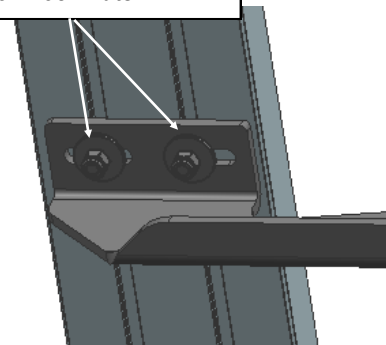
Select a Running Board. Slip (2) M6X1-20mm Square Head Bolts into each bottom channel (**Fig 5**). Carefully position the Running Board onto the (2) Mounting Brackets.

IMPORTANT: Do not slide the Running Board on the Brackets or the bottom surface of the board will be damaged. Attach the Running Board to each Mounting Bracket with (2) M6x1-20mm Square Head Bolts, (2) M6 Large Flat Washers and (2) M6 X1 Nylon Lock Nuts (**Fig 6**). Do not fully tighten at this time.



(Fig 5) Slip M6X1-20mm Square Head Bolts Into The Bottom Channels

(2) M6X1-20mm Square Head Bolts
(2) M6 Large Flat Washers
(2) M6X1 Nylon Lock Nuts



(Fig 6) Running Board Installed Onto the Mounting Bracket

iBoard®

STEP 6

Level and adjust the Running Board and fully tighten all hardware.

STEP 7

Repeat **Steps 1-6** for other side Running Board installation. The installation is completed.

Attention

Do periodic inspections to the installation to make sure that all hardware is secure and tight.

In order to protect your bars/boards, please use only mild soap/non-abrasive products for cleaning.