

iBoard®

iBoard® by APS

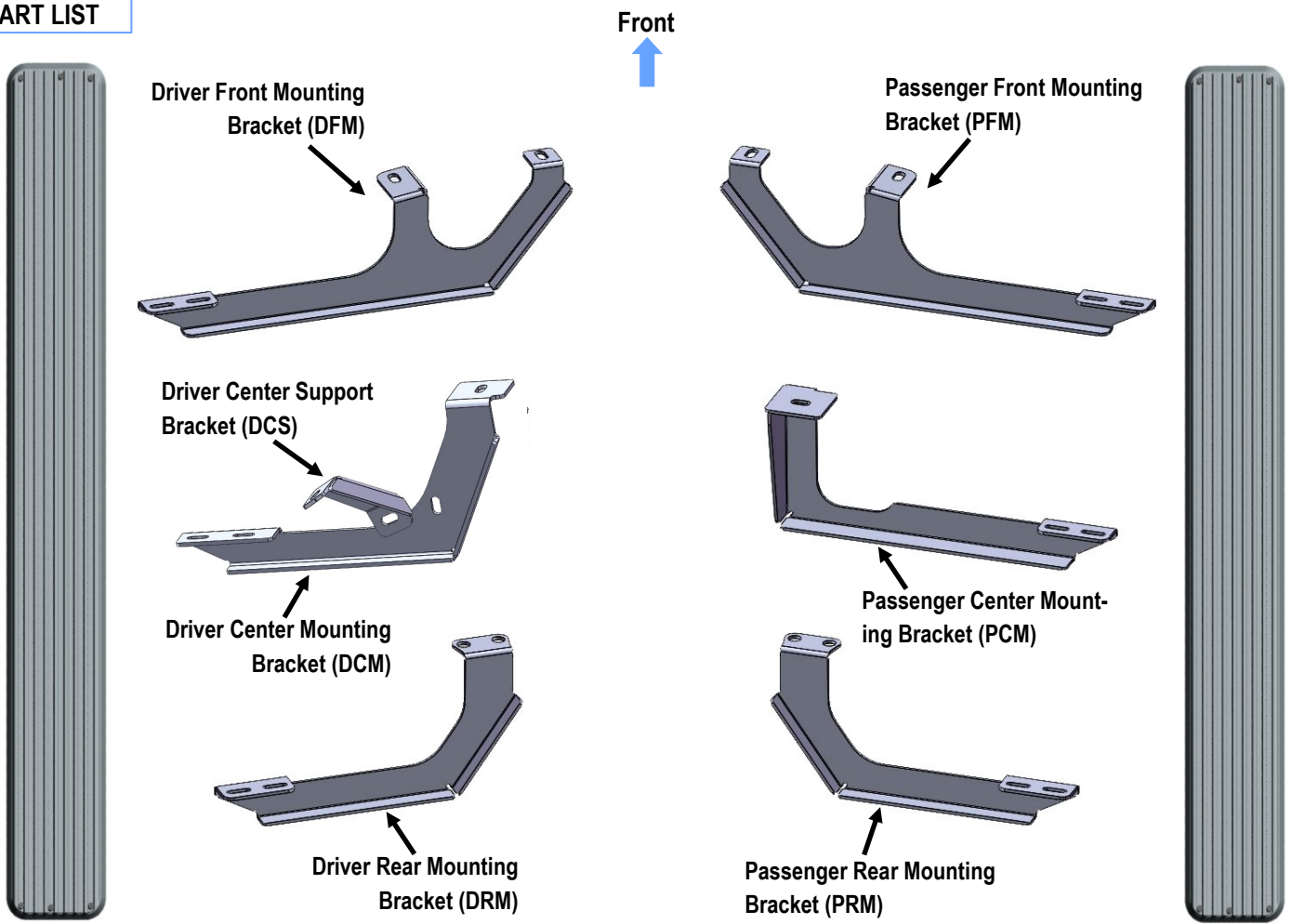
PART#: IB-361

READ INSTRUCTIONS CAREFULLY BEFORE STARTING INSTALLATION. REMOVE CONTENTS FROM BOX AND VERIFY ALL PARTS ARE PRESENT. ASSISTANCE IS RECOMMENDED.

*BODY FRAME MOUNT
*NO DRILLING REQUIRED

Fastener Size	Tightening Torque (ft-lbs)	Required
6mm	6-7	√
8mm	16-18	X
10mm	31-32	√
12mm	56-58	X
14mm	92-94	X

PART LIST



Customer Support: info@iboardauto.com

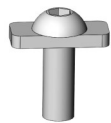
iBoard®

Hardware Package A (For Bracket Installation)



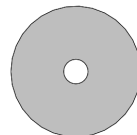
X5

M10 L Bolt Plate



X2

M10 T Bolt Plate



X7

M10 Plastic Washer



X1

M10X1.5-
30mm Hex Bolt



X9

M10 Flat Washer



X8

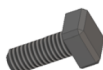
M10 Lock Washer



X8

M10 Hex Nut

Hardware Package B (For Aluminum Step Bar Installation Only, Not Supply to Stainless Steel Step Bar)



X12

M6X1-20mm Square Head Bolt



X12

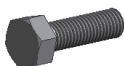
M6 Large Flat Washer



X12

M6 Nylon Lock Nut

Hardware Package C (For Stainless Steel Step Bar Installation Only, Not Supply to Aluminum Step Bar)



X12

M6X1-20mm Hex Bolt



X12

M6 Lock Washer



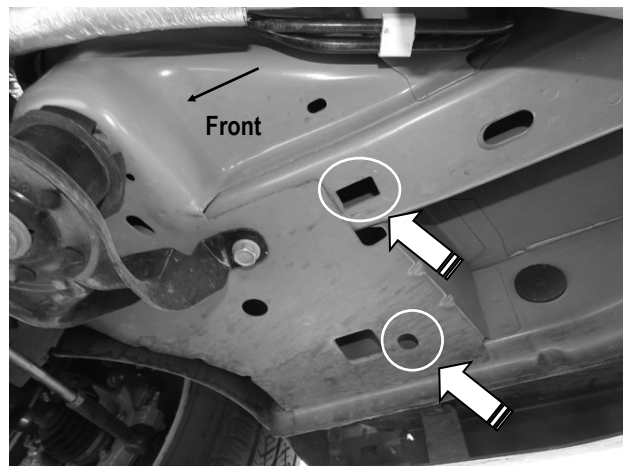
X12

M6 Flat Washer

STEP 1

Start installation from the passenger side front of the vehicle. Locate the factory holes at the bottom of the floor panel, (**Fig 1**). **NOTE:** The mounting locations may be covered by sealant or undercoating. Use a small screwdriver to poke through the sealant to uncover the hole.

IMPORTANT: Brackets must sit flat against sheet metal. If necessary, remove the sealant or undercoating covering the mounting locations on body panel before installing Brackets.



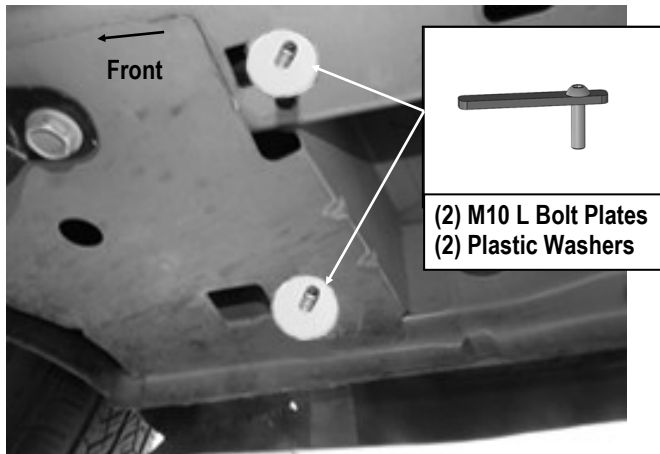
(Fig 1) Passenger Side Front Mounting Location

iBoard®

STEP 2

Select (2) M10 L Bolt Plates (2) M10 Plastic Washers. Partially thread the Plastic Washers onto the M10 L Bolt Plates. Insert the M10 L Bolt Plates with Plastic Washers into the front mounting holes, **(Fig 2)**. Thread the Plastic Washer down tight against the floor panel. The Plastic Washer is designed to hold the Bolt Plate in place during Bracket installation.

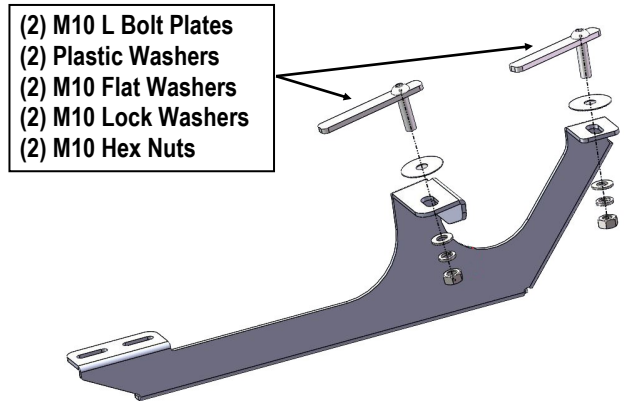
NOTE: Hold the Passenger Front Mounting Bracket (PFM) up to the front mounting location to help determine the correct mounting holes.



**(Fig 2) M10 L Bolt Plates Installed
(On Passenger Side Front Mounting Location)**

STEP 3

Attach the Passenger Front Mounting Bracket (PFM) to the installed (2) M10 L Bolt Plates with (2) M10 Flat Washers, (2) M10 Lock Washers and (2) M10 Hex Nuts, **(Fig 3 & 4)**. Do not fully tighten hardware at this time.



(Fig 3) Passenger Front Mounting Bracket Installed



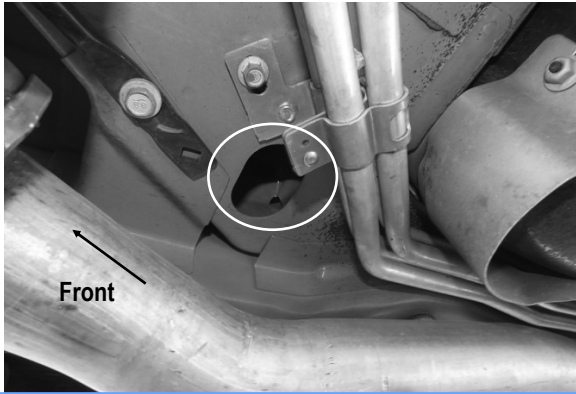
(Fig 4) Passenger Front Mounting Bracket Installed

STEP 4

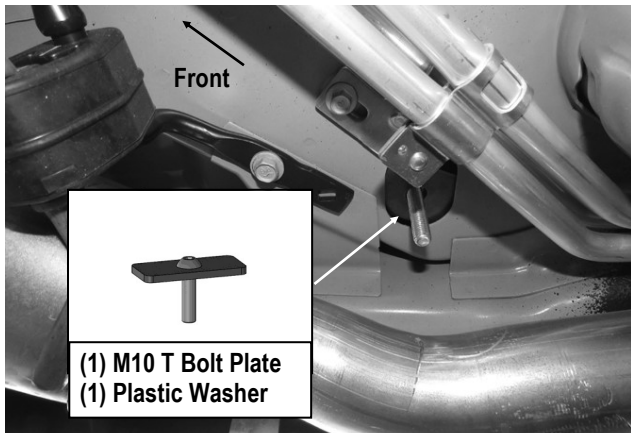
Move to the Passenger Side Center Mounting Location, **(Fig 5)**. Locate the large slot above the passenger side exhaust pipe, **(Fig 5)**.

Next, select (1) M10 T Bolt Plate and (1) Plastic Washer. Partially thread the Plastic Washer onto the M10 T Bolt Plate. Insert the M10 T Bolt Plate with Plastic Washer into the front mounting hole, **(Fig 6)**. Thread the Plastic Washer down tight against the floor panel. The Plastic Washer is designed to hold the M10 T Bolt Plate in place during Bracket installation.

iBoard®



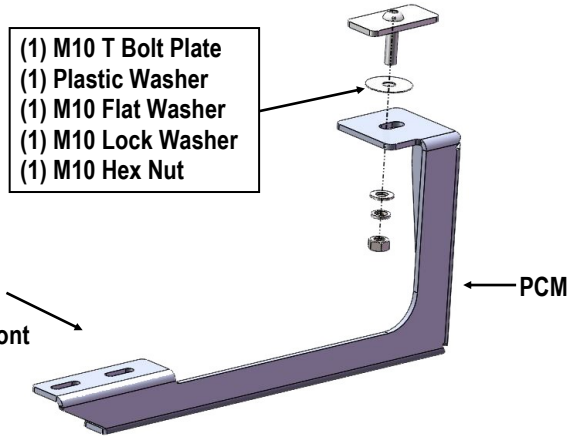
(Fig 5) Passenger Side Center Mounting Location



(Fig 6) M10 T Bolt Plate Installed
(On Passenger Side Center Mounting Location)

STEP 5

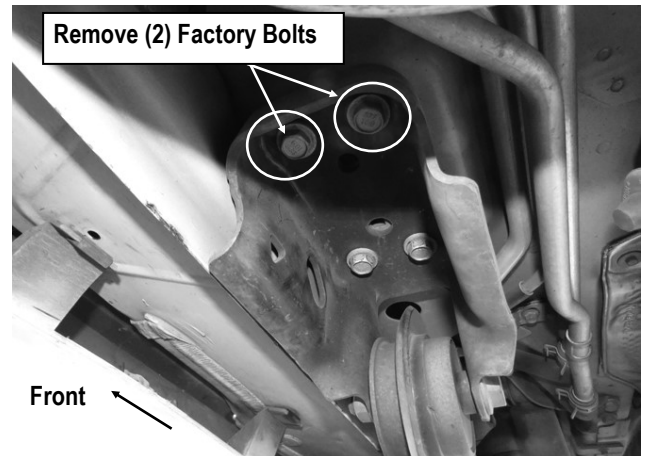
Attach the Passenger Center Mounting Bracket (**PCM**) to the installed M10 T Bolt Plate with (1) M10 Flat Washer, (1) M10 Lock Washer and (1) M10 Hex Nut, (**Fig 7**). Do not fully tighten hardware at this time.



(Fig 7) Passenger Center Mounting Bracket (PCM) Installed

STEP 6

Move to the Passenger Side Rear Mounting Location, (**Fig 8**). Remove the (2) factory hex bolts (**Fig 8**).

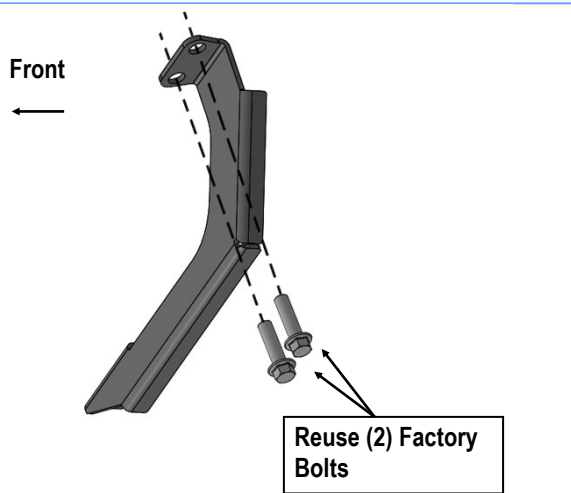


(Fig 8) Passenger Side Rear Mounting Location

STEP 7

Reuse the (2) factory hex bolts to attach the Passenger Rear Mounting Bracket (**PRM**) to the rear mounting location, (**Fig 9**). Do not fully tighten hardware at this time.

iBoard®



(Fig 9) Passenger Rear Mounting Bracket (PRM) Installed

STEP 8

Once all (3) mounting brackets are installed, then proceed to the Step Bar installation. According to the style of Step Bar proceed to the correct installation STEPS.

Note: Aluminum Step Bar refer to STEP 9; Stainless Steel Step Bar skip to STEP 10.

STEP 9

Aluminum Step Bar Installation:

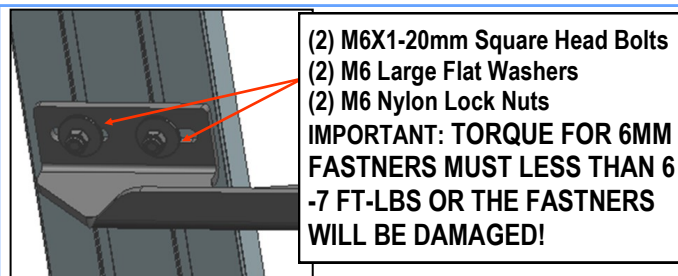
Select a **Aluminum Step Bar**. Slip (3) M6x1-20mm Square Head Bolts into each bottom channel (Fig 10). Carefully position the Step Bar onto the (3) Mounting Brackets.

IMPORTANT: Do not slide the Step Bar on the Brackets or the bottom surface of the board will be damaged. Attach the Step Bar to each Mounting Brackets with (2) M6x1-20mm Square Head Bolts, (2) M6 Large Flat Washers and (2) M6 Nylon Lock Nuts, (Fig 11). Do not fully tighten at this time.

Level and adjust the Step Bar and fully tighten all hardware. Repeat **Steps 1-9** for the other side Step Bar installation.



(Fig 10) Slip M6X1-20mm Square Head Bolts Into The Bottom Channels



(Fig 11) Running Board Installed Onto Mounting Bracket

STEP 10

Stainless Steel Step Bar Installation:

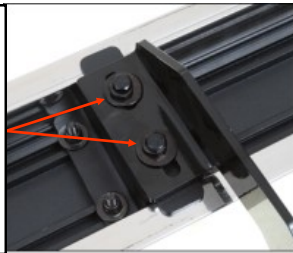
Select a **Stainless Steel Step Bar** (with the U-Sliders installed on the Bar). Loose the U-Sliders, reposition the U-Sliders onto the board according to the (3) Installed Mounting Brackets location, (Fig 12). Re-secure the U-Sliders on the Step Bar. Attach the Step Bar to the installed Mounting Brackets with (6) M6X1-20mm Hex Bolts, (6) M6 Large Flat Washers & (6) M6 Lock Washers, (Fig 13). Do not fully tighten hardware at this time. Level and adjust the Step Bar and fully tighten all hardware. Repeat **Steps 1-8 and 10** for the other side Step Bar installation.



(Fig 12) Slide & line up the U-Slider with the installed mounting brackets along bottom channel

iBoard®

(2) M6X1-20mm Hex Bolts
(2) M6 Large Flat Washers
(2) M6 Lock Washers
IMPORTANT: TORQUE FOR 6MM FASTENERS MUST LESS THAN 6-7 FT-LBS OR THE FASTENERS WILL BE DAMAGED!



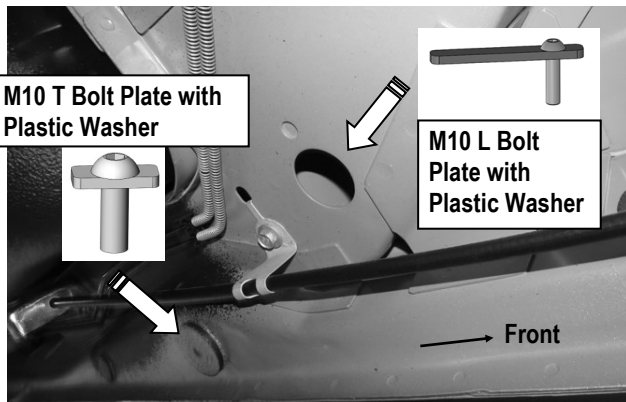
(Fig 13) Step Bar Installed on Bracket Installed (Example)

STEP 11

Move to Driver side of the vehicle. Start installation from the driver side front of the vehicle. Repeat **Steps 1-3** for Driver Front Mounting Bracket (**DFM**) installation.

STEP 12

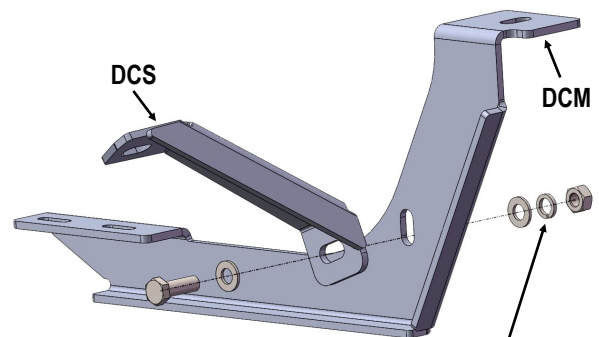
Move to the Driver Center Mounting Location, (**Fig 12**). Locate the large hole and remove the plastic plug covering the hole on the frame channel, (**Fig 12**). And then, Insert the remaining (1) M10 L Bolt Plate with (1) Plastic Washer and (1) M10 T Bolt Plate with (1) Plastic Washer into the holes, (**Fig 12**).



(Fig 12) Driver Side Center Mounting Location

STEP 13

Assemble Driver Center Mounting Bracket (**DCM**) and Driver Center Support Bracket (**DCS**) with (1) M10x1.5-30mm Hex Bolt, (2) M10 Flat Washers, (1) M10 Lock Washer and (1) M10 Hex Nut, (**Fig 13**). Do not fully tighten hardware at this time.



(1) M10x1.5-30mm Hex Bolt
(2) M10 Flat Washers
(1) M10 Lock Washer
(1) M10 Hex Nut

(Fig 13) Driver Side Center Brackets Assembly

STEP 14

Next, repeat **Steps 4-5** to install the assembled Driver Center Mounting Bracket (**DCM**) to the installed M10 L Bolt Plate, (**Fig 14**). Attach the Driver Center Support Bracket (**DCS**) to the installed M10 T Bolt Plate with (1) M10 Flat Washer, (1) M10 Lock Washer and (1) M10 x 1.5 Hex Nut, (**Fig 14**). Do not fully tighten hardware at this time.

iBoard®

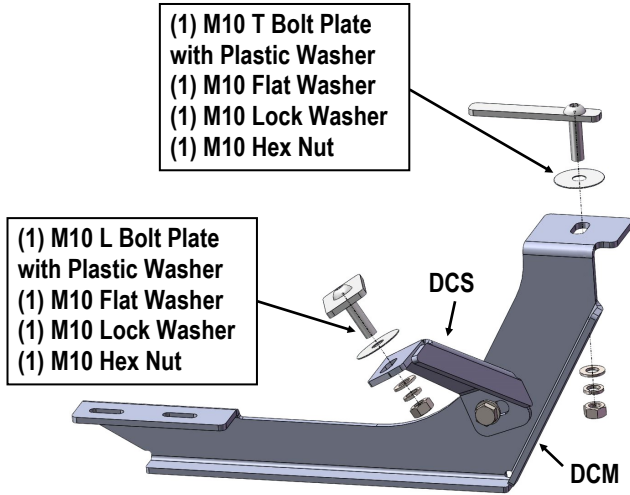
STEP 16

Repeat **Steps 8-10** for driver side Running Board installation.
The installation is completed.

Attention

Do periodic inspections to the installation to make sure that all hardware is secure and tight.

In order to protect your bars/boards, please use only mild soap/non-abrasive products for cleaning.



(Fig 14) Driver Side Center Brackets Installed

STEP 15

Repeat **Steps 6-7** for Driver Rear Mounting Bracket (**DRM**) installation.