

iBoard®

iBoard® by APS

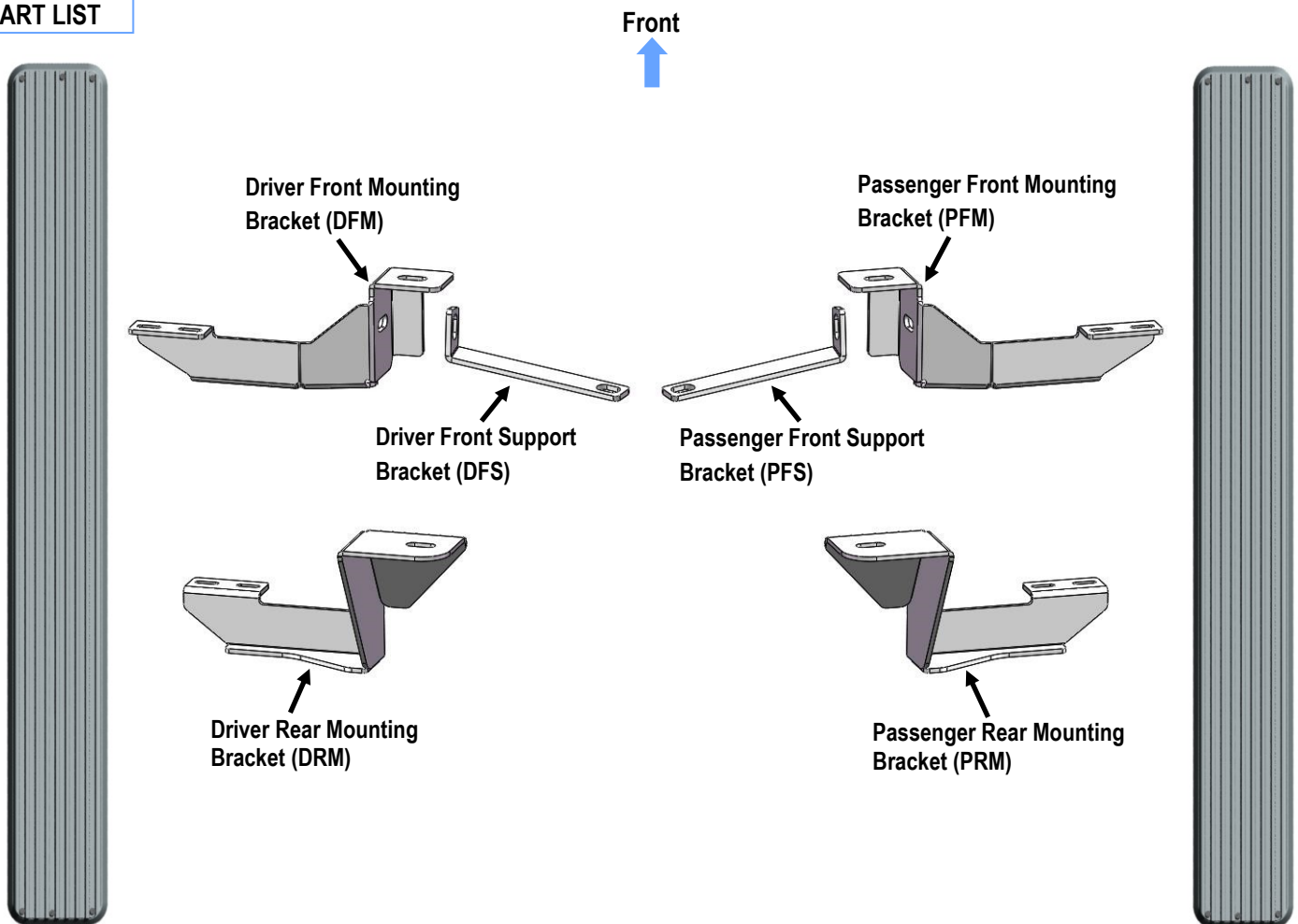
PART#: IB-149A-B

READ INSTRUCTIONS CAREFULLY BEFORE STARTING INSTALLATION. REMOVE CONTENTS FROM BOX AND VERIFY ALL PARTS ARE PRESENT. ASSISTANCE IS RECOMMENDED.

*BODY FRAME MOUNT
*NO DRILLING REQUIRED

Fastener Size	Tightening Torque (ft-lbs)
6mm	6-7
8mm	16-18
10mm	31-32
12mm	56-58
14mm	92-94

PART LIST



Customer Support: info@iboardauto.com

iBoard®



X2

M12X1.75-170mm Hex Bolt



X2

M12X1.75-40mm
Hex Bolt



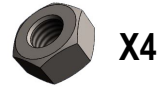
X8

M12 Flat Washer



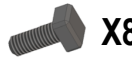
X4

M12 Lock Washer



X4

M12X1.75 Hex Nut



X8

M6X1-20mm Square
Head Bolt



X8

M6 Large Flat
Washer



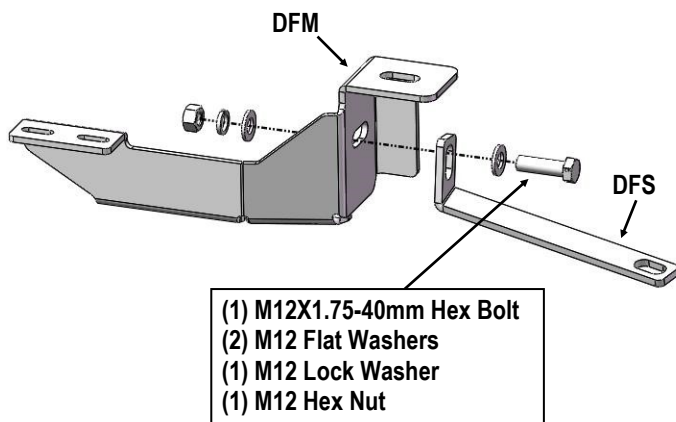
X8

M6X1 Nylon
Lock Nut

STEP 1

Start installation from the driver side front of the vehicle. Remove the driver side front body mount bolt.

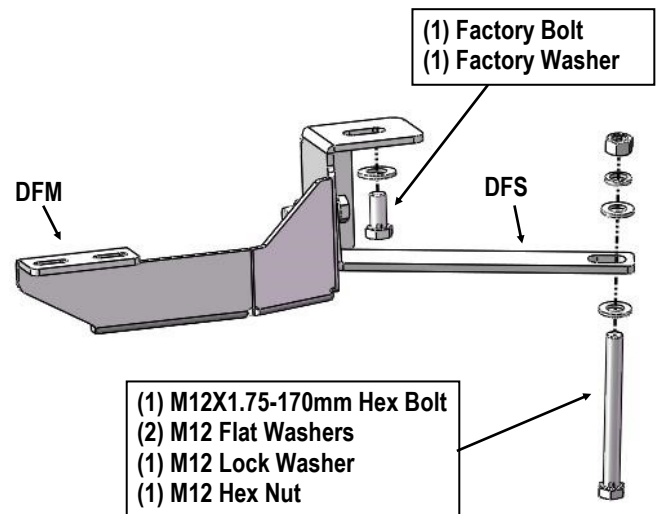
Assemble (1) Driver Front Mounting Bracket (**DFM**) and (1) Driver Front Support Bracket (**DFS**) with (1) M12X1.75-40mm Hex Bolt, (2) M12 Flat Washers, (1) M12 Lock Washer and (1) M12 Hex Nut, (**Fig 2**). Do not fully tighten hardware at this time.



(Fig 1) Driver Side Front Mounting Bracket Assembly

STEP 2

Select (1) Driver Front Mounting Bracket (**DFM**) and (1) Driver Front Support Bracket (**DFS**). Attach the Driver Front Mounting Bracket (**DFM**) to the vehicle with the factory bolt and washer (**Fig 2**). Attach the Driver Front Support Bracket (**DFS**) to the vehicle with (1) M12X1.75-170mm Hex Bolt, (2) M12 Flat Washers, (1) M12 Lock Washer and (1) M12 Hex Nut, (**Fig 2**). Do not fully tighten hardware at this time.

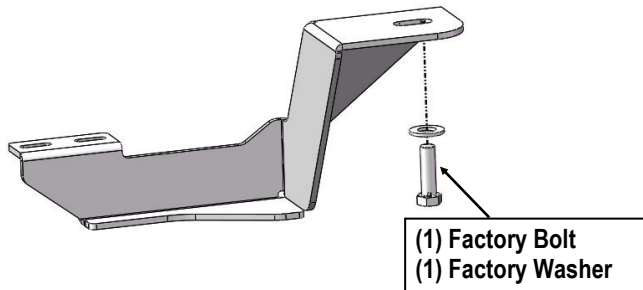


(Fig 2) Driver Front Mounting Brackets Installation

iBoard®

STEP 3

Next, move to the driver side rear of the vehicle. Remove the driver side rear body mount bolt. Attach the Driver Rear Mounting Bracket (**DRM**) with the factory bolt and washer (**Fig 3**). Do not fully tighten hardware at this time.



(Fig 3) Driver Rear Mounting Bracket Installation

STEP 4

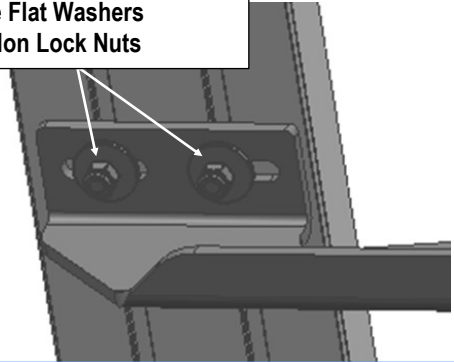
Select a Running Board. Slip (2) M6x1-20mm Square Head Bolts into each bottom channel (**Fig 4**). Carefully position the Running Board onto the (2) Mounting Brackets.

IMPORTANT: Do not slide the Running Board on the Brackets or the bottom surface of the board will be damaged. Attach the Running Board to each Mounting Bracket with (2) M6x1-20mm Square Head Bolts, (2) M6 Large Flat Washers and (2) M6 X1 Nylon Lock Nuts, (**Fig 5**). Do not fully tighten hardware at this time.



(Fig 4) Slip M6X1-20mm Square Head Bolts Into The Bottom Channels

(2) M6X1-20mm Square Head Bolts
(2) M6 Large Flat Washers
(2) M6X1 Nylon Lock Nuts



(Fig 5) Running Board Installed Onto the Mounting Bracket

STEP 5

Level and adjust the Running Board as necessary and fully tighten all hardware.

STEP 6

Repeat **Steps 1-5** for the passenger side Running Board installation. The installation is completed.

Attention

Do periodic inspections to the installation to make sure that all hardware is secure and tight.

In order to protect your bars/boards, please use only mild soap/non-abrasive products for cleaning.