

iBoard®

iBoard® by APS

PART#: IB-046A-B

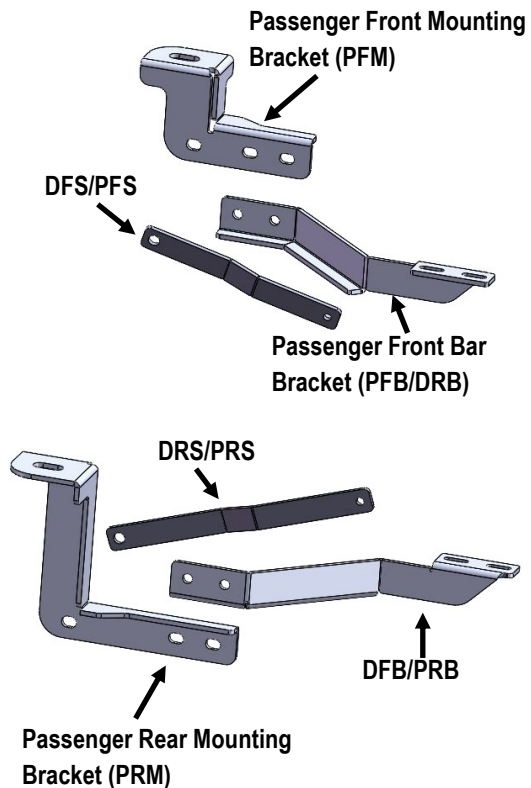
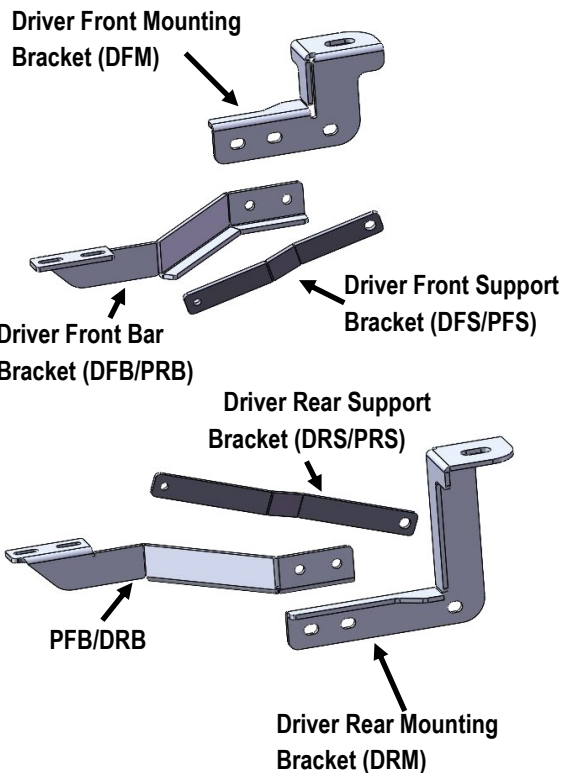
READ INSTRUCTIONS CAREFULLY BEFORE STARTING INSTALLATION. REMOVE CONTENTS FROM BOX AND VERIFY ALL PARTS ARE PRESENT. ASSISTANCE IS RECOMMENDED.

***ROCKER PANEL MOUNT
*DRILLING IS REQUIRED**

Fastener Size	Tightening Torque (ft-lbs)
6mm	6-7
8mm	16-18
10mm	31-32
12mm	56-58
14mm	92-94

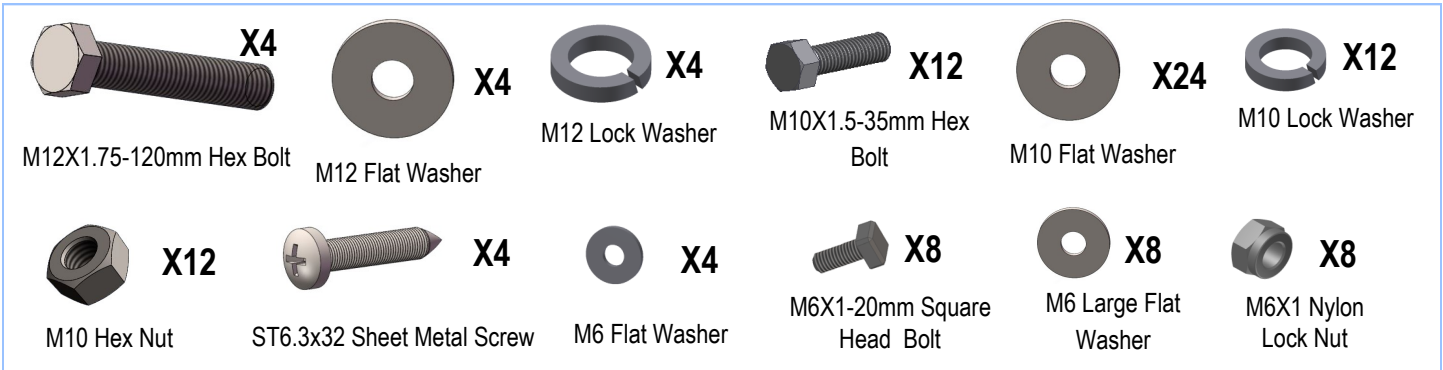
PART LIST

Front
↑



Customer Support: info@iboardauto.com

iBoard®

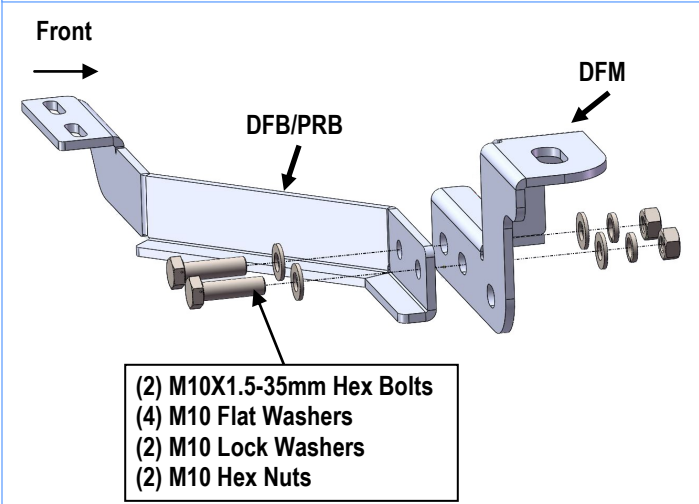


STEP 1

Start installation from the driver side front of the vehicle. Remove the body mount bolt from the front mounting location.

STEP 2

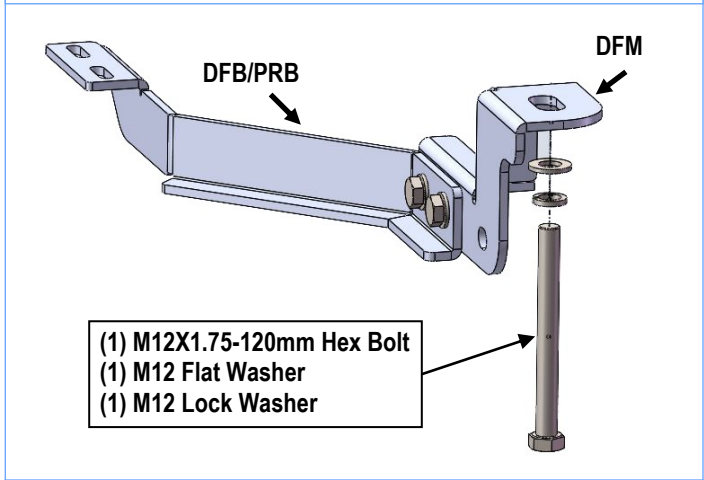
Select and assemble the Driver Front Mounting Bracket (DFM) and Driver Front Bar Bracket (DFB/PRB) with (2) M10X1.5-35mm Hex Bolts, (2) M10 Lock Washers, (4) M10 Flat Washers and (2) M10 Hex Nuts, (Fig 1). Do not fully tighten hardware at this time.



(Fig 1) Driver Side Front Brackets Assembly

STEP 3

Bolt the assembled Driver Front Mounting Bracket (DFM) to the body mount of vehicle with (1) M12X1.75-120mm Hex Bolt, (1) M12 Lock Washer, and (1) M12 Flat Washer (Fig 2). Do not fully tighten hardware at this time.



(Fig 2) Driver Front Mounting Bracket (DFM) Installation

STEP 4

Select the Driver Front Support Bracket (DFS/PFS). Attach the Support Bracket to the Driver Front Mounting Bracket with (1) M10X1.5-35mm Hex Bolt, (1) M10 Lock Washer, (2) M10 Flat Washers and (1) M10 Hex Nut, (Fig 3). Do not fully tighten hardware at this time. **NOTE: The larger hole on the Support Bracket should connect to the Mounting Bracket.**

iBoard®

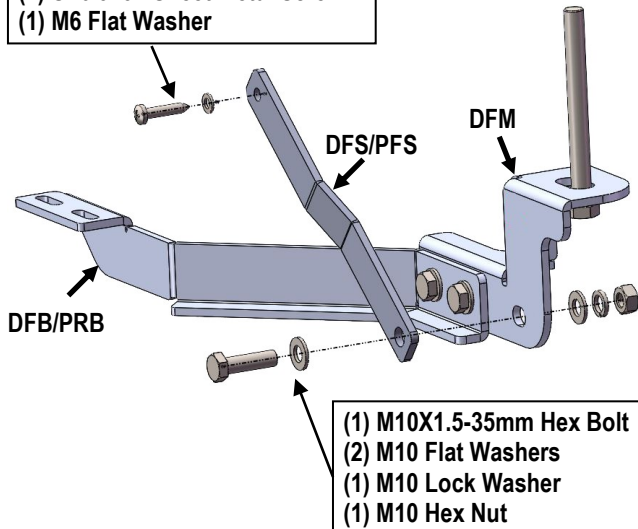
STEP 6

Once the hole was drilled on the body channel, attach the Support Bracket to the drilled hole using the included (1) ST6.3x32 Sheet Metal Screw and (1) M6 Flat Washer (Fig 3 & 4).

STEP 7

Move to driver side rear of the vehicle. Repeat **Steps 1-5** for driver side rear Bracket installation, (Fig 5).

- (1) ST6.3x32 Sheet Metal Screw
- (1) M6 Flat Washer



(Fig 3) Driver Front Support Bracket (DFS/PFS) Installation

STEP 5

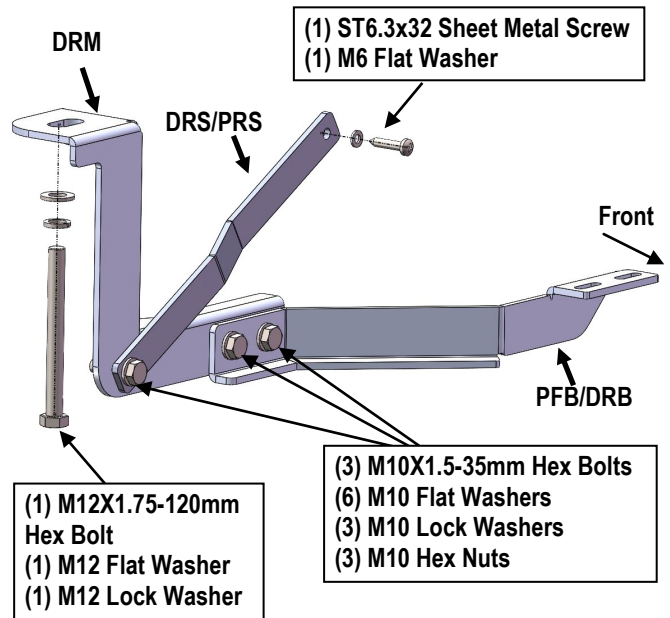
Attach the smaller hole on the other end of the Support Bracket to the body channel, and mark the hole position onto the body channel. Remove Support Bracket from body channel, and drill a 6mm hole on the mark, (Fig 4).

IMPORTANT! Any cutting or drilling tool may break or shatter. Government regulations require safety glasses & equipment at all times when cutting or drilling.

- Drilling Location (on body channel):
- (1) ST6.3x32 Sheet Metal Screw
 - (1) M6 Flat Washer



(Fig 4) Driver Front Support Bracket (DFS/PFS) Installation



(Fig 5) Driver Side Rear Brackets Installation

iBoard®

STEP 8

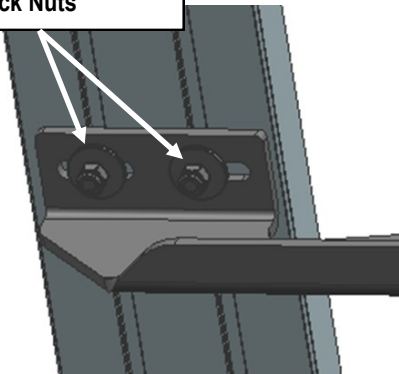
Select a Running Board. Slip (2) M6x1-20mm Square Head Bolts into each bottom channel (**Fig 6**). Carefully position the Running Board onto the (2) Mounting Brackets.

IMPORTANT: Do not slide the Running Board on the Brackets or the bottom surface of the board will be damaged. Attach the Running Board to Mounting Bracket with (4) M6x1-20mm Square Head Bolts, (4) M6 Large Flat Washers and (4) M6 X1 Nylon Lock Nuts (**Fig 7**). Do not fully tighten hardware at this time.



(Fig 6) Slip M6X1-20mm Square Head Bolts Into The Bottom Channels

- (2) M6X1-20mm Square Head Bolts
- (2) M6 Large Flat Washers
- (2) M6X1 Nylon Lock Nuts



(Fig 7) Running Board Installed Onto Driver Center Mounting Bracket

STEP 9

Level and adjust the Running Board and fully tighten all hardware.

STEP 10

Repeat **Steps 1-9** for the other side Running Board installation. The installation is completed, (**Fig 8**).



(Fig 8) Installation Completed

Attention

Do periodic inspections to the installation to make sure that all hardware is secure and tight.

In order to protect your bars/boards, please use only mild soap/non-abrasive products for cleaning.