

iBoard®



Scan for
Installation Video

iBoard® by APS

PART#: IB-197L C&H

READ INSTRUCTIONS CAREFULLY BEFORE STARTING INSTALLATION. REMOVE CONTENTS FROM BOX AND VERIFY ALL PARTS ARE PRESENT. ASSISTANCE IS RECOMMENDED.

*ROCKER PANEL MOUNT
*NO DRILLING REQUIRED

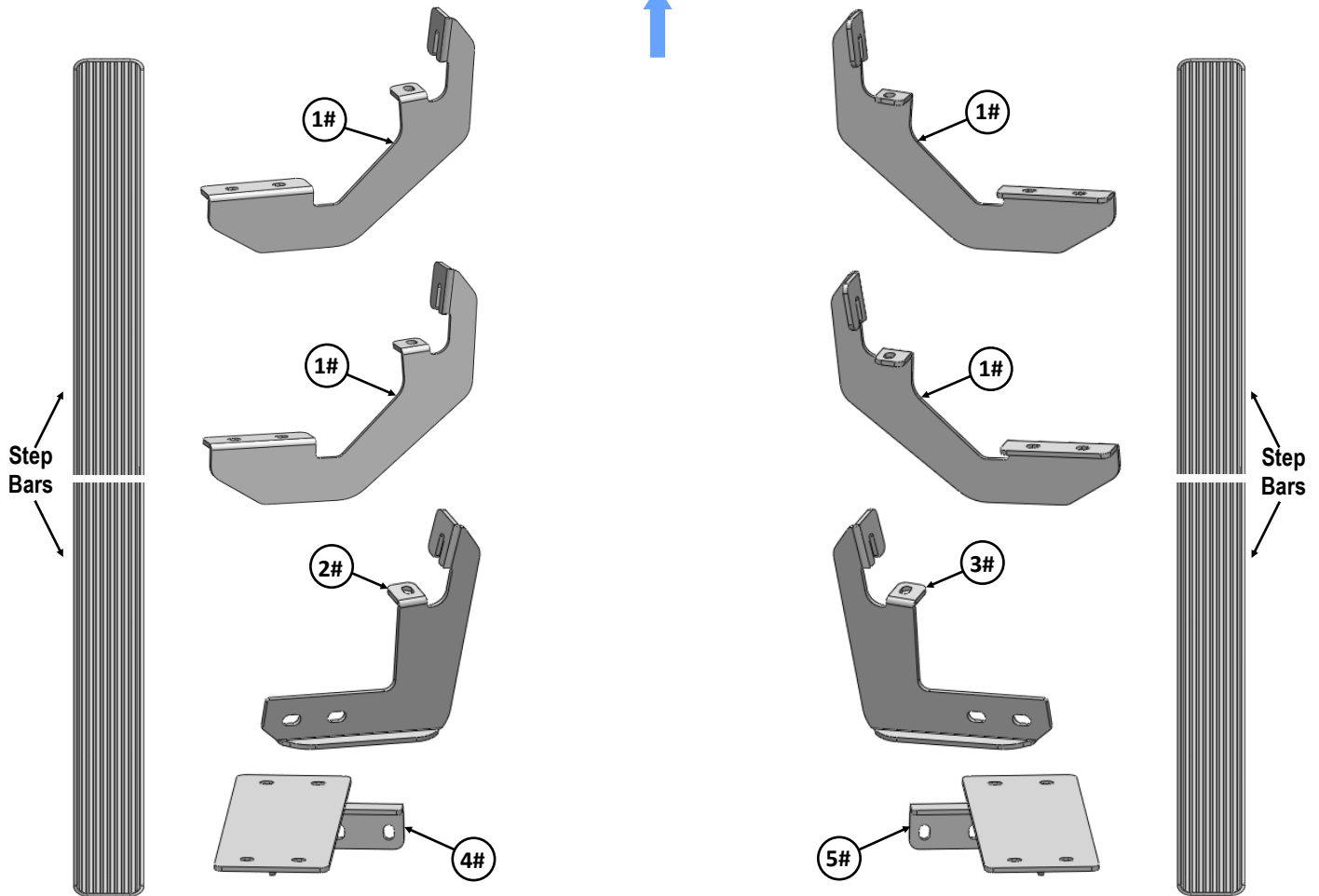
Fastener Size	Tightening Torque (ft-lbs)	Required
6mm	6-7	X
8mm	16-18	√
10mm	31-32	√
12mm	56-58	X
14mm	92-94	X

PART LIST

Driver Side Step Bar

Front

Passenger Side Step Bar



Customer Support: info@iboardauto.com



Mounting Bracket List					
Item	QTY	Description	Item	QTY	Description
1#	4	Driver/Passenger Front & Center Mounting Brackets	4#	1	Driver Rear Bar Bracket
2#	1	Driver Rear Mounting Bracket	5#	1	Passenger Rear Bar Bracket
3#	1	Passenger Rear Mounting Bracket			

Hardware Package A (For Bracket Installation)					
Item	QTY	Description	Item	QTY	Description
1#	4	M10X1.5-30mm Hex Bolts	5#	12	M8X1.25-25mm Hex Bolts
2#	8	M10 Flat Washers	6#	12	M8 Flat Washers
3#	4	M10 Lock Washers	7#	12	M8 Lock Washers
4#	4	M10 Hex Nuts	8#	12	M8 Clip Nuts



Hardware Package B (For Stainless Steel Step Bar Installation)					
Item	QTY	Description	Item	QTY	Description
1#	16	M8X1.25-35mm Carriage Bolts	3#	16	M8 Nylon Lock Nuts
2#	16	M8 Large Flat Washers	4#	8	Sliders (Packed with Step Bars)



Hardware Package C (For Stainless Steel Step Bar Assembly)					
Item	QTY	Description	Item	QTY	Description
1#	8	Plastic Rivets	5#	4	M8 Hex Nuts
2#	12	M8X1.25-25mm Inner Hex Bolts	6#	2	Plastic Covers (Packed with Step Bars)
3#	16	M8 Flat Washers	7#	2	Back Plates (Packed with Step Bars)
4#	12	M8 Lock Washers			

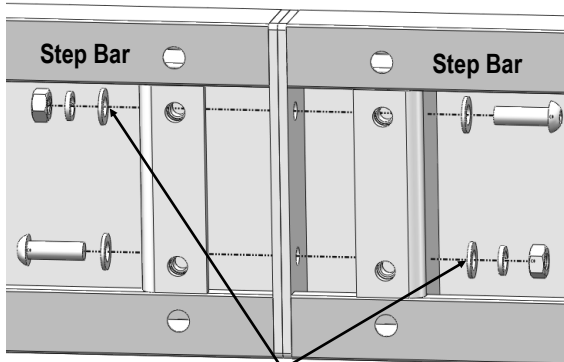




STEP 1

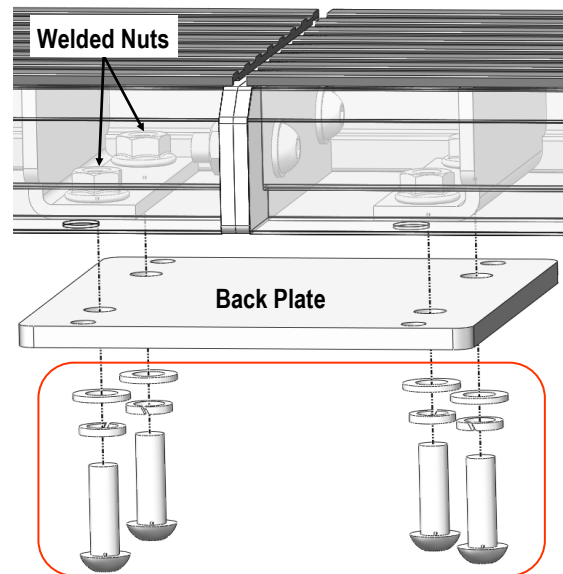
Step Bar Assembly:

1. Select and assemble (2) Step Bars with (2) M8X1.25-25mm Inner Hex Bolts, (4) M8 Flat Washers, (2) M8 Lock Washers and (2) M8 Hex Nuts, (**Fig 1**). **NOTE: (4) Step Bars are universal.**
2. Attach (1) Back Plate to the bottom of the installed (2) Step Bars with (4) M8X1.25-25mm Inner Hex Bolts, (4) M8 Flat Washers, (4) M8 Lock Washers, (**Fig 2**).
3. Install (1) Plastic Cover to cover the joint of (2) Step bars with (4) Plastic Rivets, (**Fig 3**).
4. Repeat to assemble the other (2) Step Bars.



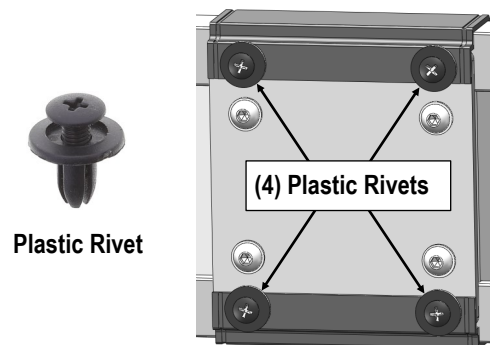
- (2) M8X1.25-25mm Inner Hex Bolts
- (4) M8 Flat Washers
- (2) M8 Lock Washers
- (2) M8 Hex Nuts

(Fig 1) Step Bars Assembly



- (4) M8X1.25-25mm Inner Hex Bolts
- (4) M8 Flat Washers
- (4) M8 Lock Washers

(Fig 2) Back Plate Installation



Plastic Rivet

(Fig 3) Plastic Cover Installation
(Bottom View)

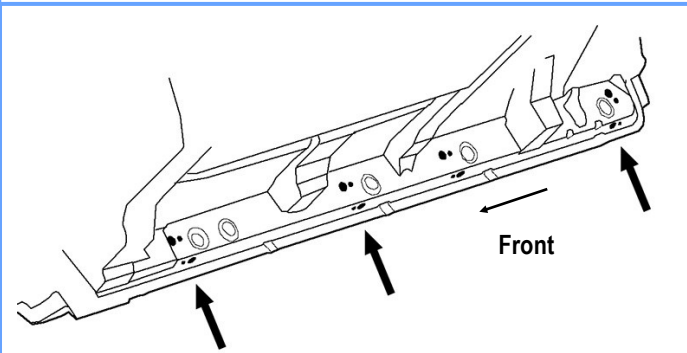
Assembled Step Bars



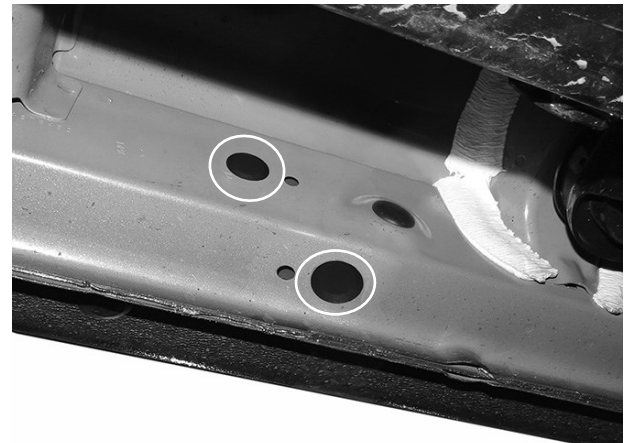


STEP 2

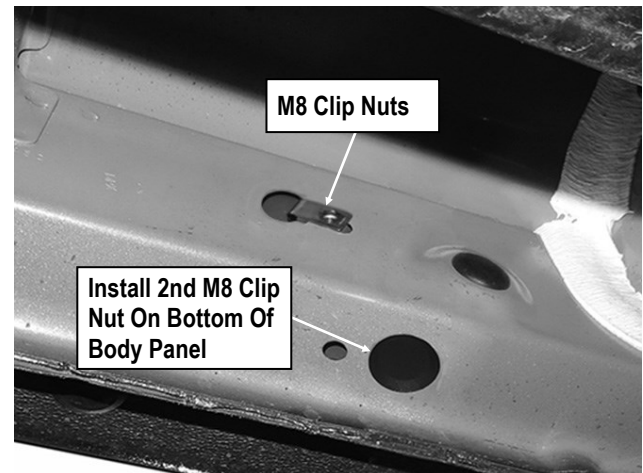
Start the installation under the passenger side of the vehicle. Locate the 4 factory running board mounting locations along the bottom and inner side of the body, **(Fig 4)**. Mounting Brackets will bolt to the 1st, 2nd and 4th mounting locations.



(Fig 4) Passenger Side Mounting Locations



(Fig 5) Remove Plugs From Mounting Locations As Necessary



(Fig 6) Slide M8 Clip Nut Into Large Hole And Over Small Hole

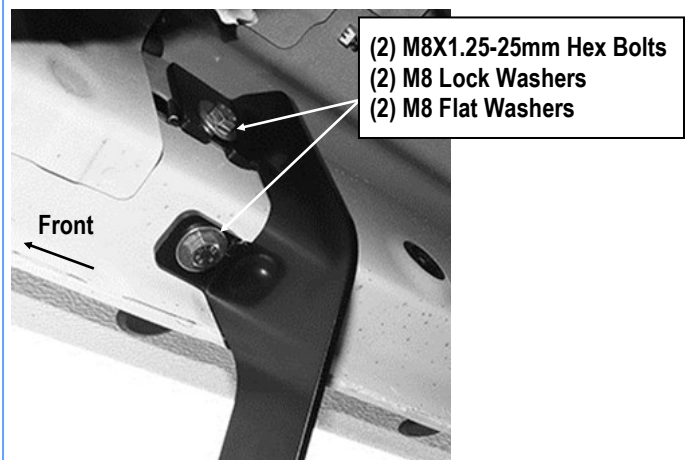
STEP 3

Remove rubber plugs as necessary from the holes in the side and bottom of the inner body panel, **(Fig 5)**. Select (1) M8 Clip Nut. Slide the M8 Clip Nut into the large hole and over the smaller hole next to it in the side of the body panel. Line up threaded nut on the M8 Clip Nut with smaller hole in body panel, **(Fig 6)**. Repeat to install a M8 Clip Nut in the bottom mounting location.

STEP 4

Select (1) Driver Front Mounting Bracket. Bolt the Driver Front Mounting Bracket to the assembled (2) M8 Clip Nuts with (2) M8X1.25-25mm Hex Bolts, (2) M8 Lock Washers and (2) M8 Flat Washers, **(Fig 7)**. Do not fully tighten hardware at this time.

Note: All (4) Driver / Passenger Front & Center Mounting Brackets are universal.



(Fig 7) Passenger Front Mounting Bracket Installed



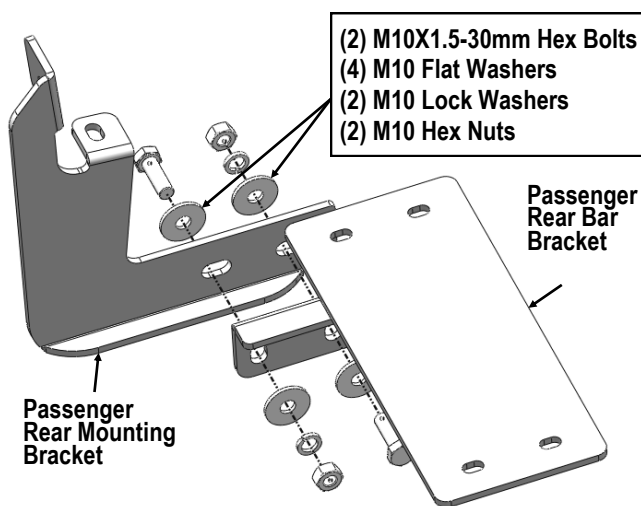
STEP 5

Repeat **Steps 2-4** to install the Passenger Center Mounting Bracket.

STEP 6

Move to the passenger side rear of the vehicle. Assemble (1) Passenger Rear Mounting Bracket and (1) Passenger Rear Bar Bracket with (2) M10X1.5-30mm Hex Bolts, (2) M10 Lock Washers, (4) M10 Flat Washers and (2) M10 Hex Nuts, (**Fig 8**). Do not fully tighten hardware at this time.

Repeat **Steps 2-4** to install the assembled Passenger Rear Mounting Bracket.



(Fig 8) Passenger Rear Brackets Assembly

STEP 7

Once all (3) Passenger side mounting brackets are installed, then proceed to the Step Bar installation. (**Figs 9 & 10**)

- (1) Select (1) Slider and (2) M8X1.25-35mm Carriage Bolts;
- (2) Install (2) M8X1.25-35mm Carriage Bolts in (1) Slider.
- (3) Slide the Slider (with carriage bolts) to the **Step Bar**.

(4) Repeat to install the other (2) sliders to the step bar.

(5) Attach the Step Bar (with the Sliders) onto the installed mounting brackets. Position the Sliders to the installed brackets. Secure the Step Bar to the installed Brackets by using (8) M8 Large Flat Washers and (8) M8 Nylon Lock Nuts and (4) Sliders, (**Fig 10**). Do not fully tighten hardware at this time.

Note: The Sliders are packed with the Step Bars.

Level and adjust the Step Bar and fully tighten all hardware.

Repeat **Steps 2-7** for the other side Step Bar installation. **The installation is completed!!!**

Attention

Do periodic inspections to the installation to make sure that all hardware is secure and tight.

In order to protect your bars/boards, please use mild soap/non-abrasive products for cleaning only.



Scan for
Installation Video

