



Scan for
Installation Video

iBoard® by APS

PART#: IB-196L C&H

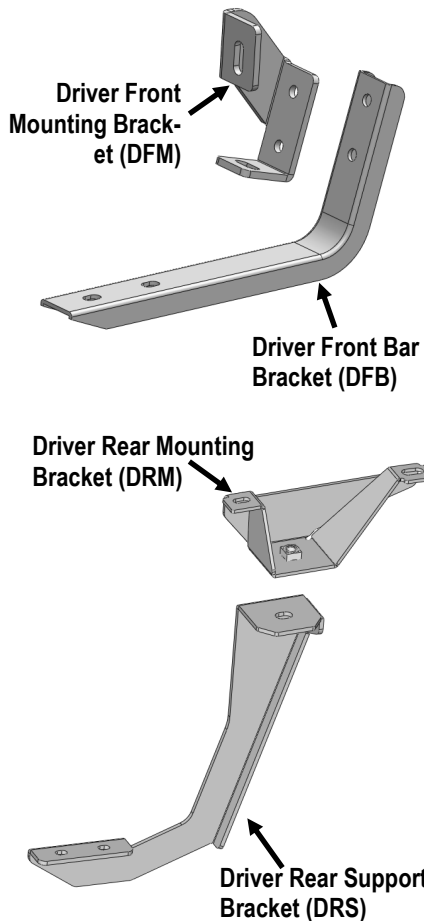
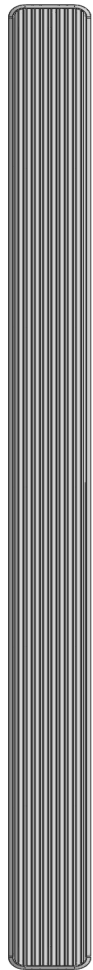
READ INSTRUCTIONS CAREFULLY BEFORE STARTING INSTALLATION. REMOVE CONTENTS FROM BOX AND VERIFY ALL PARTS ARE PRESENT. ASSISTANCE IS RECOMMENDED.

*ROCKER PANEL MOUNT
*NO DRILLING REQUIRED

Fastener Size	Tightening Torque (ft-lbs)	Required
6mm	6-7	X
8mm	16-18	√
10mm	31-32	X
12mm	56-58	√
14mm	92-94	X

PART LIST

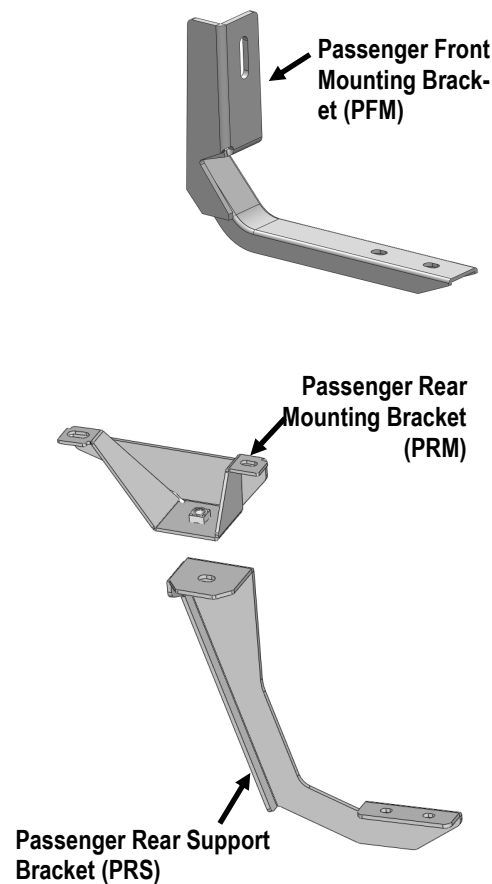
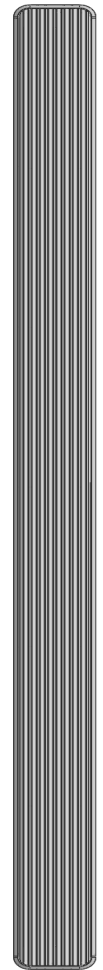
Driver Side Step Bar



Front



Passenger Side Step Bar

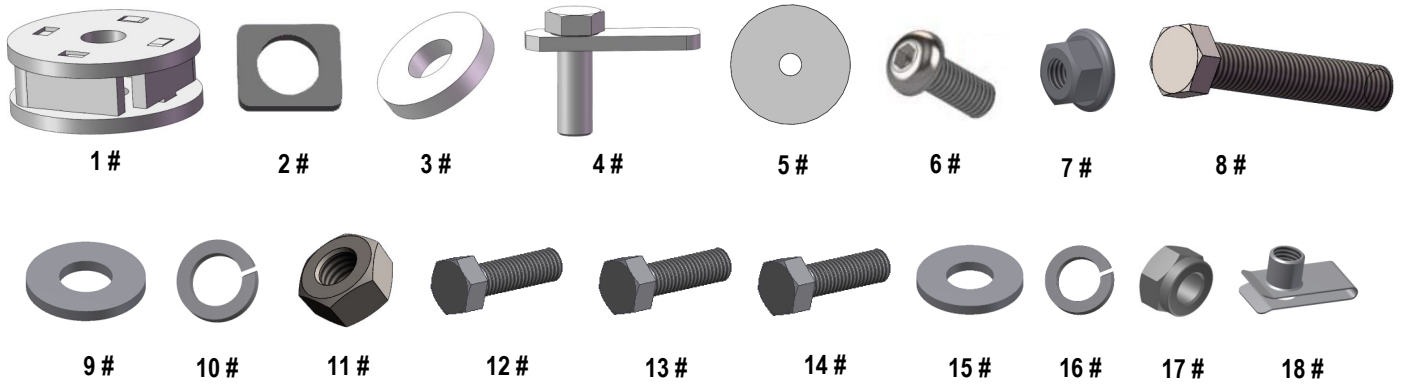


Customer Support: info@iboardauto.com



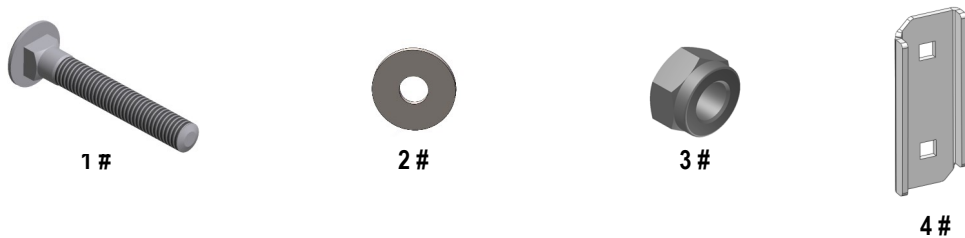
Hardware Package A (For Bracket Installation)

Item	QTY	Description	Item	QTY	Description
1#	2	Sleeve Washers	10#	4	M12 Lock Washers
2#	1	SQ Spacer	11#	2	M12X1.75 Hex Nuts
3#	2	M12 Spacer	12#	1	M8X1.25-35mm Hex Bolts
4#	2	M12X35 Bolt Plates	13#	2	M8X1.25-30mm Hex Bolts
5#	2	M12 Plastic Washers	14#	4	M8X1.25-25mm Hex Bolts
6#	2	M8X1.25-20mm Inner Hex Bolts	15#	7	M8 Large Flat Washers
7#	2	M8X1.25 Hex Flange Nuts	16#	6	M8 Lock Washers
8#	2	M12X1.75-65mm Hex Bolts	17#	1	M8X1.25 Nylon Lock Nuts
9#	4	M12 Flat Washers	18#	3	M8 Clip Nuts



Hardware Package B (For Stainless Steel Step Bar Installation)

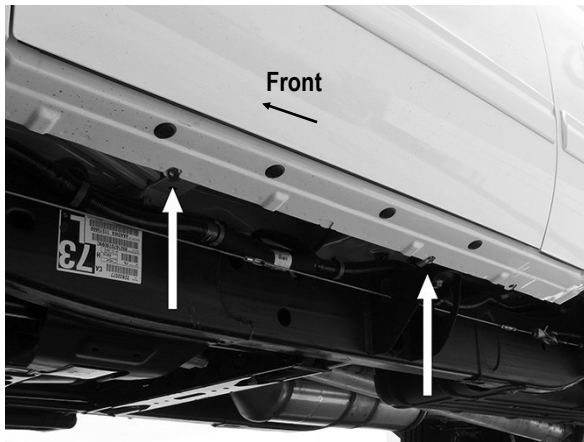
Item	QTY	Description	Item	QTY	Description
1#	8	M8X1.25-35mm Carriage Bolts	3#	8	M8 Nylon Lock Nuts
2#	8	M8 Large Flat Washers	4#	4	Sliders (Packed with Step Bars)





STEP 1

Start the installation from the driver side of the vehicle. Locate the mounting tabs along the bottom edge of the body, (pinch weld). Mounting brackets will bolt to the mounting tabs. Directly above each tab, there is another upper mounting location on the inner side of the body panel. (Fig 1).



(Fig 1) Driver Side Mounting Locations

STEP 2

Determine the correct procedure for your model year and each Bracket location.

A. Lower mounting location on the edge of the pinch weld

a) Flat tab on pinch weld with factory installed weld nut:

Thread the M8X1.25-25mm Hex Bolt into the welded nut to clear paint from threads as required, (Fig 2).

b) Flat tab on pinch weld with hole (Fig 3,4) :

Select (1) M8 Clip Nut. Slide the Clip Nut over the tab with the nut facing up behind the tab. Line up threaded nut with hole in tab. Repeat this **Step** for Driver Rear mounting location.

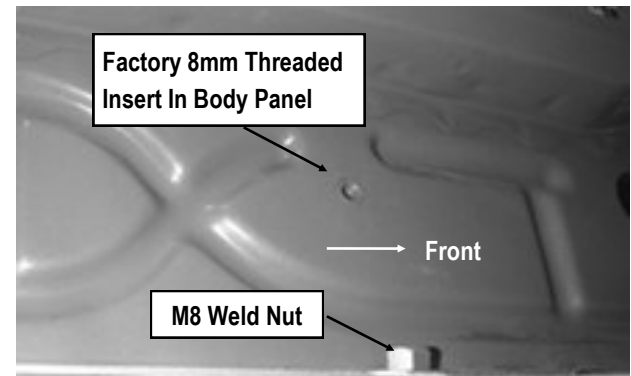
B. Upper mounting location on the inner side of the body panel:

a) Models with factory installed threaded insert in body panel: Thread M8X1.25-25mm Hex Bolt into the threaded

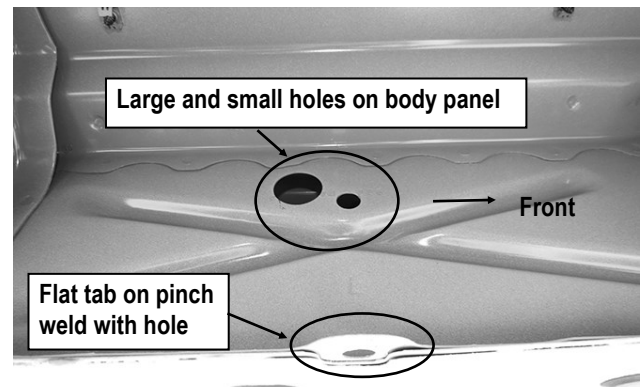
insert to clear paint as required, (Fig 2).

b) Models with large and small holes on the body panel (Fig 3, 4):

Remove the rubber plug from the larger hole. Select (1) M8 Clip Nut. Insert the Clip Nut into the larger hole with the thread facing inner side.



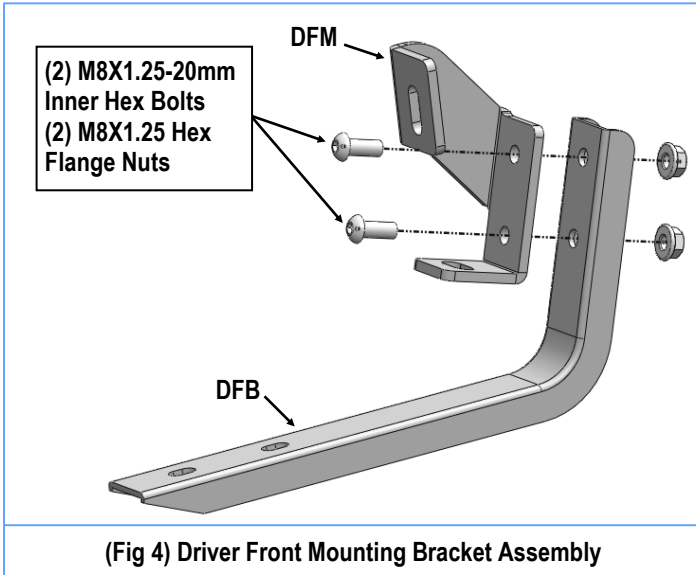
(Fig 2) Driver Side Front Mounting Location



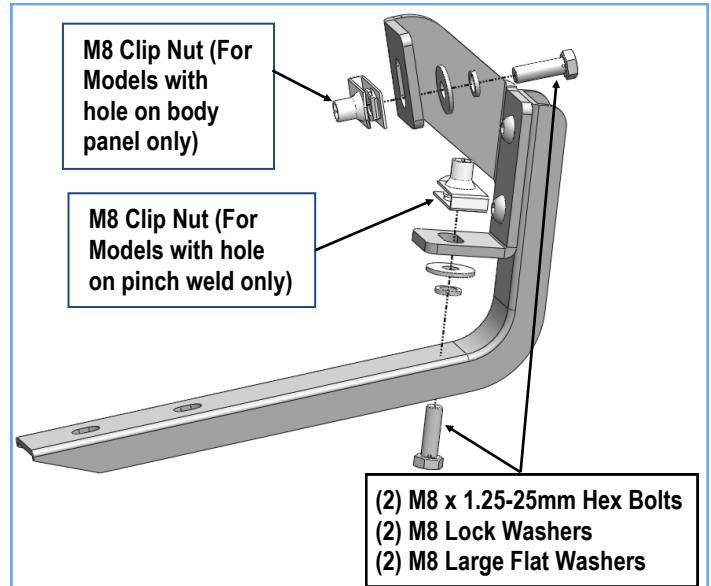
(Fig 3) Driver Side Front Mounting Location
(Flat tab on Pinch Weld with hole)

STEP 3

Assemble (1) Driver Front Mounting Bracket (DFM) and (1) Driver Front Bar Bracket (DFB) with (2) M8X1.25-20mm Inner Hex Bolts and (2) M8X1.25 Hex Flange Nuts, (Fig 4). Do not fully tighten hardware at this time.



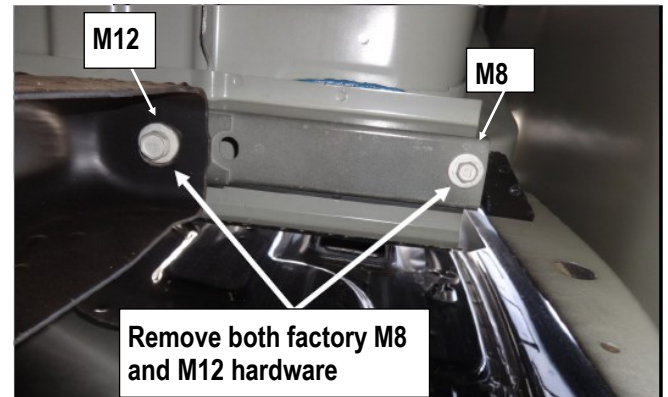
(Fig 4) Driver Front Mounting Bracket Assembly



(Fig 5) Driver Front Mounting Bracket Installation

STEP 4

Attach (1) Assembled Driver Front Mounting Bracket to the driver side front mounting location with (2) M8x1.25-25mm Hex Bolts, (2) M8 Lock Washers and (2) M8 Flat Washers, (Fig 5). Do not fully tighten hardware at this time.



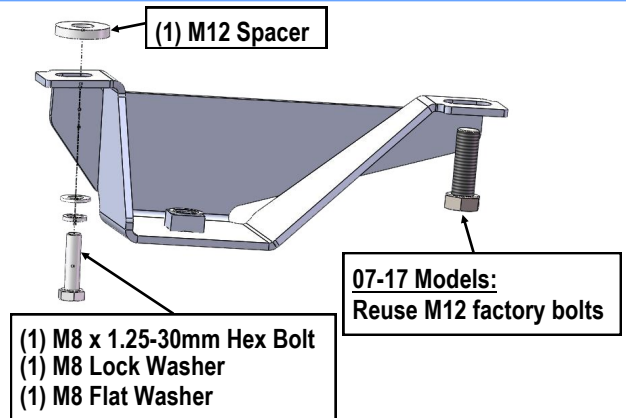
(Fig 6A) Driver Side Rear Mounting Location

STEP 5

Move to Driver Side Rear Mounting location, directly behind the cab, underneath the bed locate the beam that mounts the bed to the frame. There will be 2 pre-existing bolts, remove both factory M8 and M12 hardware (Fig 6A). Select a Driver Rear Support Bracket (DRS), bolt the Support Bracket with include (1) M8X1.25-30mm Hex Bolt, (1) M8 Lock Washer, (1) M8 Flat Washer, and (1) (1) M12 Spacer. Do not fully tighten hardware at this time.

07-17 Models: Attach the Driver Rear Support Bracket (DRS) with Re-used M12 factory bolts, (Fig 6B).

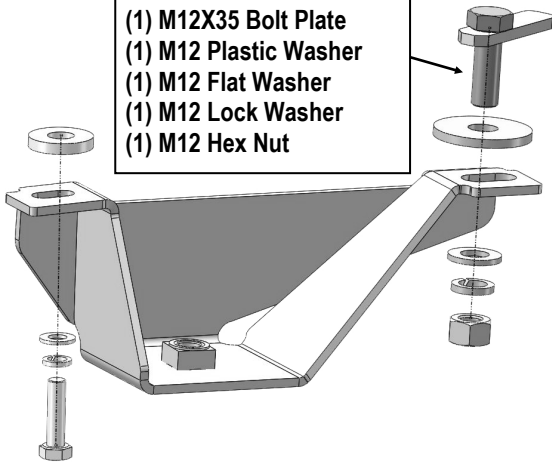
18-Up Models: Attach the Driver Rear Support Bracket (DRS) with (1) M12X35 Bolt Plate, (1) M12 Plastic Washer, (1) M12 Flat Washer, (1) M12 Lock Washer and (1) M12 Hex Nut (Fig 6C).



(Fig 6B) Driver Rear Support Bracket Installation



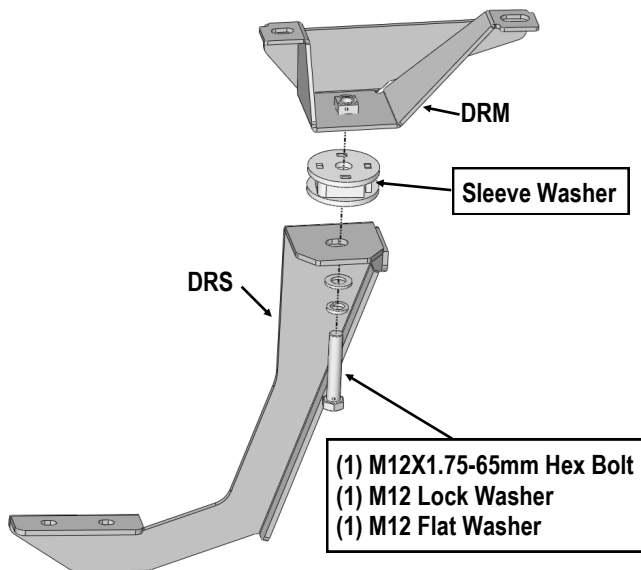
18-Up Models:
Use provided hardware to
attach the bracket:
(1) M12X35 Bolt Plate
(1) M12 Plastic Washer
(1) M12 Flat Washer
(1) M12 Lock Washer
(1) M12 Hex Nut



(Fig 6C) Driver Rear Support Bracket Installation

STEP 6

Select (1) Driver Rear Support Bracket (**DRS**), attach it to the installed Driver Rear Mounting Bracket (**DRM**) with (1) M12X1.75-65mm Hex Bolt, (1) M12 Lock Washer, (1) Sleeve Washer and (1) M12 Flat Washer, (**Fig 7**). Do not fully tighten hardware at this time.



(Fig 7) Driver Rear Mounting Bracket And Support Bracket Assembly

STEP 7

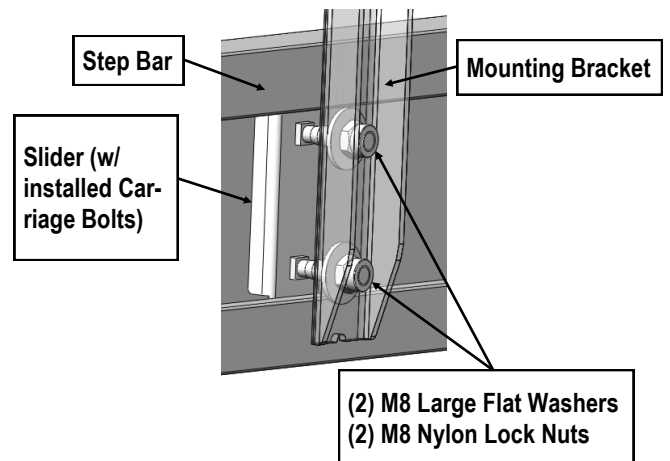
Once all (2) Driver side mounting brackets are installed, then proceed to the Step Bar installation. (**Figs 8 & 9**)

- (1) Select (1) Slider and (2) M8X1.25-35mm Carriage Bolts;
- (2) Install (2) M8X1.25-35mm Carriage Bolts in (1) Slider.
- (3) Slide the Slider (with carriage bolts) to the **Step Bar**.
- (4) Repeat to install the other (1) slider to the step bar.
- (5) Attach the Step Bar (with the Sliders) onto the installed mounting brackets. Position the Sliders to the installed brackets. Secure the Step Bar to the installed Brackets by using (4) M8 Large Flat Washers and (4) M8 Nylon Lock Nuts and (2) Sliders, (**Fig 9**). Do not fully tighten hardware at this time.

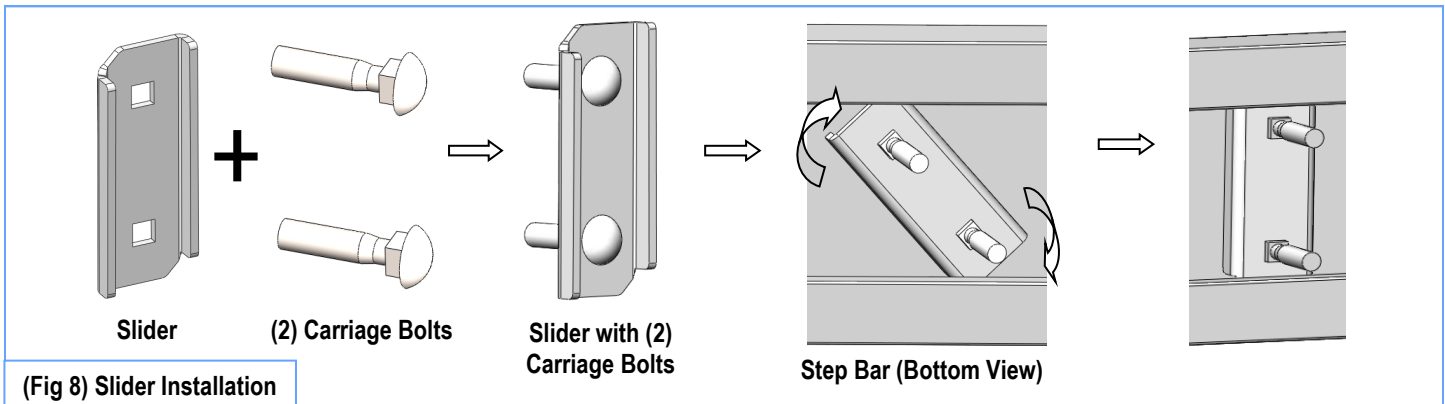
Note: The Sliders are packed with the Step Bars.

Level and adjust the Step Bar and fully tighten all hardware.

Repeat **Steps 1-7** for the other side Step Bar installation. **The installation is completed!!!**



(Fig 9) Step Bar Installation



STEP 8

Move to the passenger side of the vehicle. On the Passenger side, determine if the vehicle is equipped with a plastic diesel exhaust fluid (DEF) tank, (Fig 10-11).

Models without DEF tank, skip to Step 9.

Models with DEF tank, first determine correct procedure for your model year:

• **07-16 Models with DEF tank:**

The tank sits close to the side of the body. With specialized tools, the Passenger Front Mounting Bracket can be installed but room is limited. It may be easier to drop the tank down to access the inner side of the body panel to mount the bracket. Tank will not need to be removed, only dropped down for access to mounting location.

IMPORTANT: If tank is full, it will be very heavy, and assistance is highly recommended to avoid injury or damage to the vehicle or the tank. It is recommended that installation is performed when the DEF tank is low on fluid before dropping down the tank.

a. On models with plastic lower tray under the tank, remove the (3) hex bolts attaching the tray to the frame, (Fig 10), and remove the tray.

b. Release the tank filler hose. Release the plug for the sending unit on the top of the tank.

c. Support the tank with a floor jack. Place a smooth flat surface, (wooden block for example), between the floor jack and the tank to avoid damaging the plastic tank. Do not push up on

the tank; only support the weight of the tank with the jack.

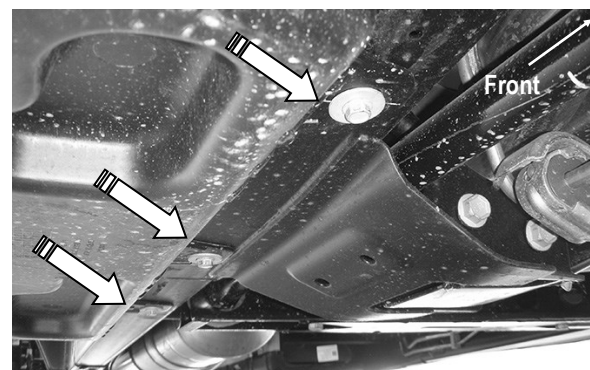
d. Remove the (2) bolts securing the tank straps to the vehicle, (Fig 11). Tilt the straps to release from the brackets. Slowly lower the tank until the top of the tank is almost visible. Use blocks or stands to support the tank while installing the Passenger Front Mounting Bracket.

e. Proceed to Step 9.

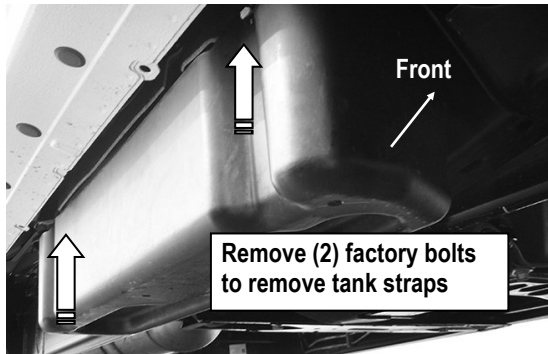
• **17-Up 2500/3500 models:**

Do not remove the tank. Remove the (4) hex bolts attaching the plastic cover to DEF tank, (Fig 12A) and remove the plastic cover only, (Fig 12B).

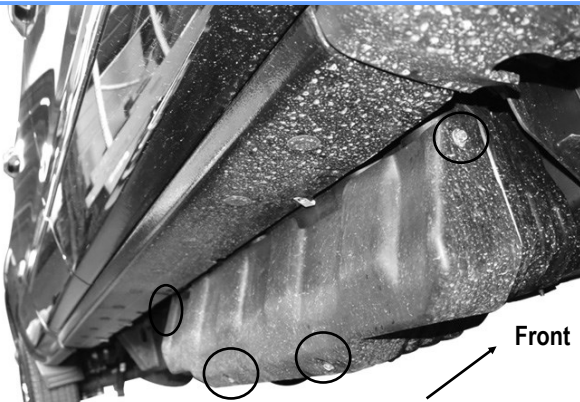
Note: On some trims, It may be easier to drop the tank down to access the inner side of the body panel to mount the bracket.



(Fig 10) 07-16 Passenger/Right front pictured with DEF tank cover. Remove (3) hex bolts to remove cover



(Fig 11) Passenger side 07-16 DEF tank and cover



(Fig 12A) 17-on Passenger side pictured with DEF plastic tank cover. Remove (4) hex bolts to remove plastic cover



(Fig 12B) 17-on Passenger side DEF cover removed

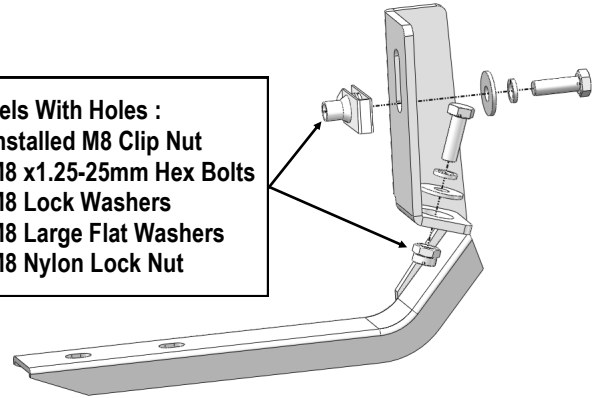
STEP 9

Locate the first tab on the edge of the pinch weld, attach the Passenger Front Mounting Bracket (PFM) to the pinch weld and upper body panel (Fig 13 & 14):

- a. **Models with flat tab and hole:** see Fig 13. Leave loose at this time.
- b. **Models with weld-nut:** see Fig 14. Leave loose at this time.

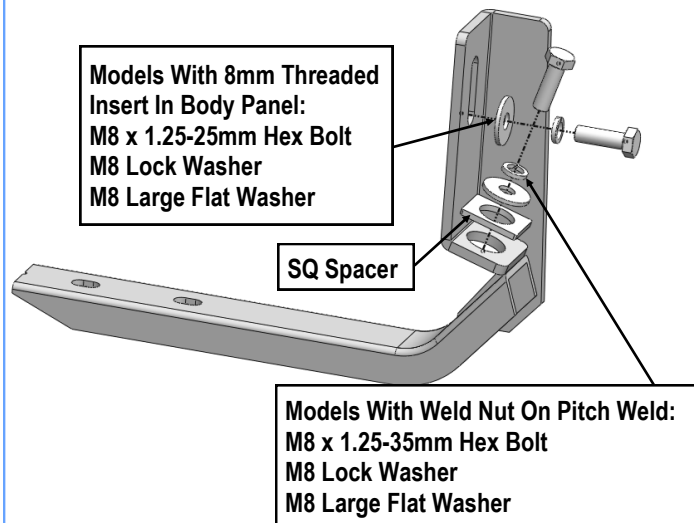
Models With Holes :

- (1) Installed M8 Clip Nut
- (2) M8 x1.25-25mm Hex Bolts
- (2) M8 Lock Washers
- (2) M8 Large Flat Washers
- (1) M8 Nylon Lock Nut



(Fig 12) Passenger Front Mounting Bracket Installation
(Models With Flat Tab and Hole)

Models With 8mm Threaded
Insert In Body Panel:
M8 x 1.25-25mm Hex Bolt
M8 Lock Washer
M8 Large Flat Washer

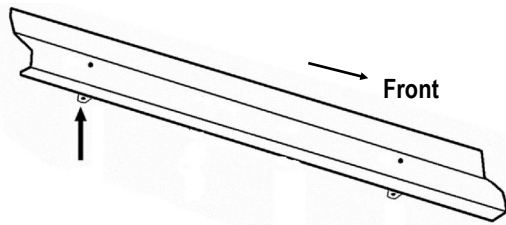


(Fig 13) Passenger Front Mounting Bracket Installation
(Models With Weld Nut)

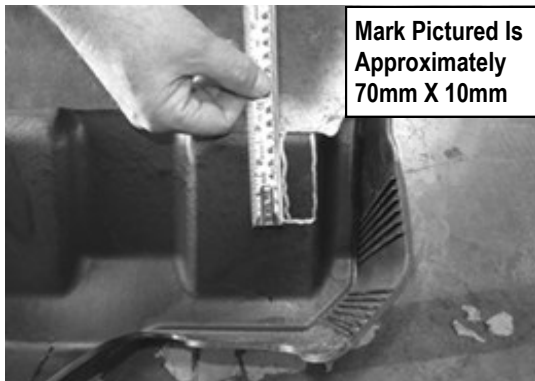
STEP 10

Repeat **Steps 5-6** to install the Passenger Rear Mounting Bracket and Support Bracket.

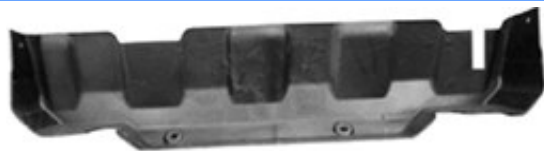
2017-up 2500/3500 DEF tank models: Locate the rear tab bracket location along the bottom edge of the body, (pinch weld), (Fig 14). Hold the DEF cover in place and mark the Rear Bracket location onto the cover, (Fig 15). Use a sharp knife or hacksaw blade to carefully cut a slot in the plastic cover to clear the Rear Bracket, (Fig 16). Remove as little plastic as possible.



(Fig 14) Passenger Side Rear Mounting Location



(Fig 15) 2017-Up Passenger Side DEF Cover Marked For Trim-



(Fig 16) 17-Up Passenger Side DEF Cut For Example Only

STEP 11

Once the Step Bars are installed and all hardware fully tightened, reinstall the DEF tank and cover, if equipped, which was removed in **Step 8**. **The installation is completed.**

STEP 12

Once all (2) Passenger side mounting brackets are installed, repeat **Step 7-9** to install the passenger side Step Bar.

Attention

Do periodic inspections to the installation to make sure that all hardware is secure and tight.

In order to protect your bars/boards, please use mild soap/non-abrasive products for cleaning only.