



iBoard® by APS

PART#: IB-071L&195L C&H

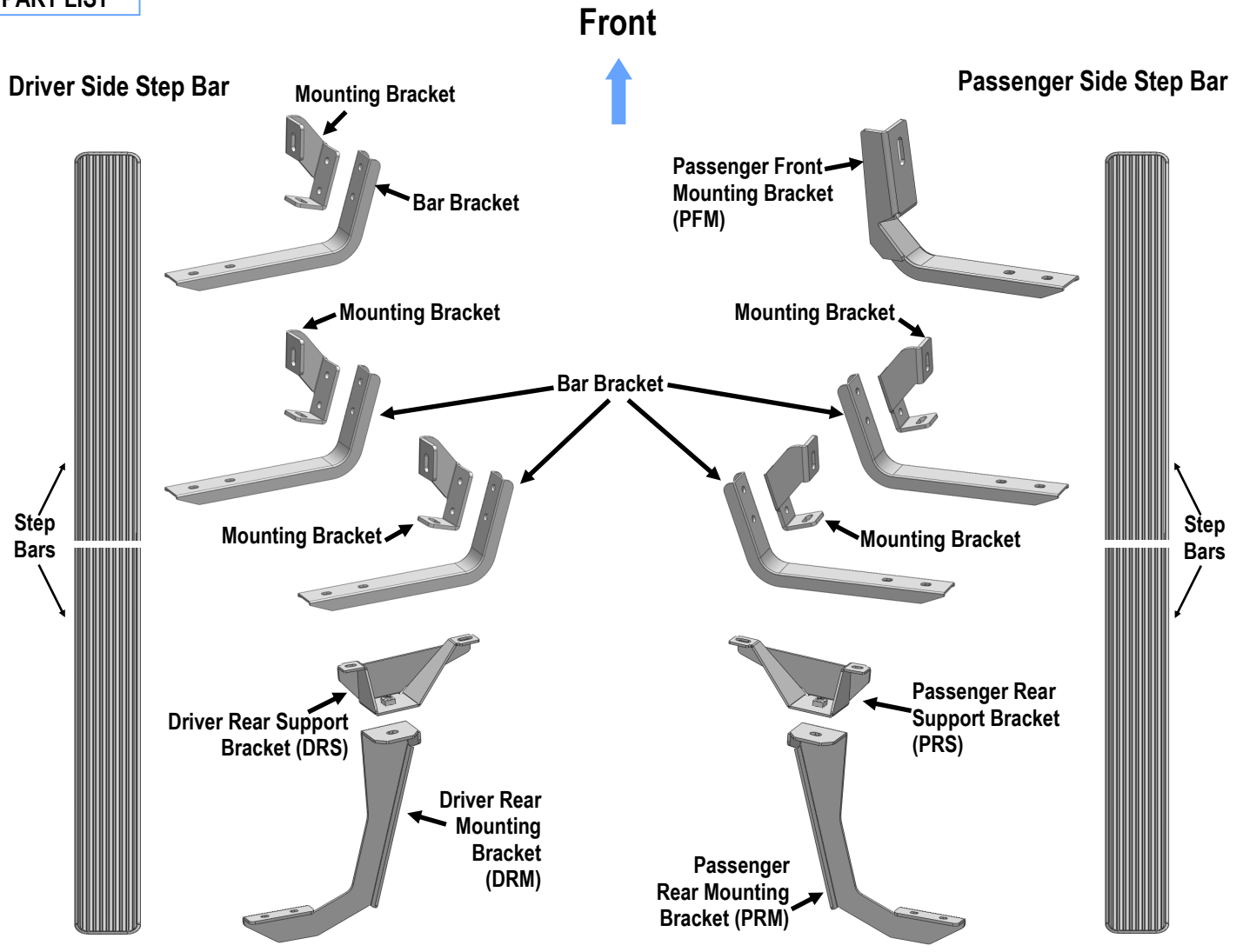
READ INSTRUCTIONS CAREFULLY BEFORE STARTING INSTALLATION. REMOVE CONTENTS FROM BOX AND VERIFY ALL PARTS ARE PRESENT. ASSISTANCE IS RECOMMENDED.

*ROCKER PANEL MOUNT

*NO DRILLING REQUIRED/CUTTING MAYBE REQUIRED

Fastener Size	Tightening Torque (ft-lbs)	Required
6mm	6-7	X
8mm	16-18	√
10mm	31-32	X
12mm	56-58	√
14mm	92-94	X

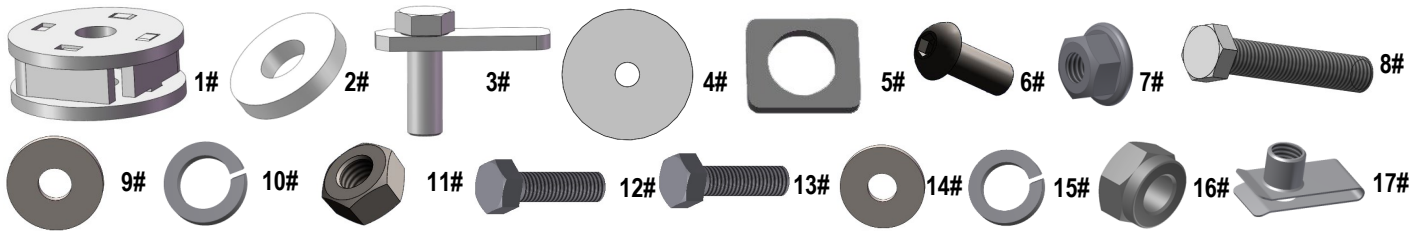
PART LIST





Hardware Package A (For Bracket Installation)

Item	QTY	Description	Item	QTY	Description
1#	2	Sleeve Washers	10#	4	M12 Lock Washers
2#	4	M12 Spacers	11#	2	M12 Hex Nuts
3#	2	M12X35 Bolt Plates	12#	3	M8X1.25-35mm Hex Bolts
4#	2	M12 Plastic Washers	13#	12	M8X1.25-25mm Hex Bolts
5#	1	SQ Spacers	14#	15	M8 Large Flat Washers
6#	10	M8X1.25-20mm Inner Hex Bolts	15#	15	M8 Lock Washers
7#	10	M8X1.25 Hex Flange Nuts	16#	1	M8X1.25 Nylon Lock Nuts
8#	2	M12X1.75-65mm Hex Bolts	17#	11	M8 Clip Nuts
9#	4	M12 Flat Washers			



Hardware Package B (For Stainless Steel Step Bar Installation)

Item	QTY	Description	Item	QTY	Description
1#	16	M8X1.25-35mm Carriage Bolts	3#	16	M8 Nylon Lock Nuts
2#	16	M8 Large Flat Washers	4#	8	Sliders (Packed with Step Bars)



Hardware Package C (For Stainless Steel Step Bar Assembly)

Item	QTY	Description	Item	QTY	Description
1#	8	Plastic Rivets	5#	4	M8 Hex Nuts
2#	12	M8X1.25-25mm Inner Hex Bolts	6#	2	Plastic Covers (Packed with Step Bars)
3#	16	M8 Flat Washers	7#	2	Back Plates (Packed with Step Bars)
4#	12	M8 Lock Washers			

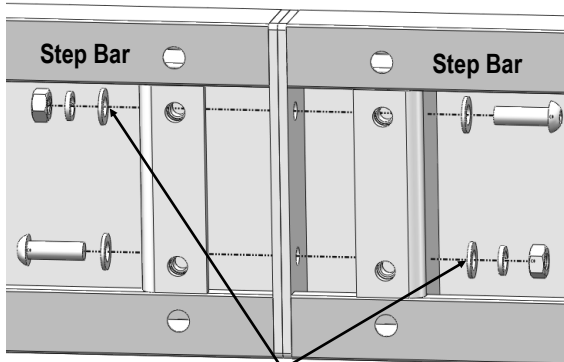




STEP 1

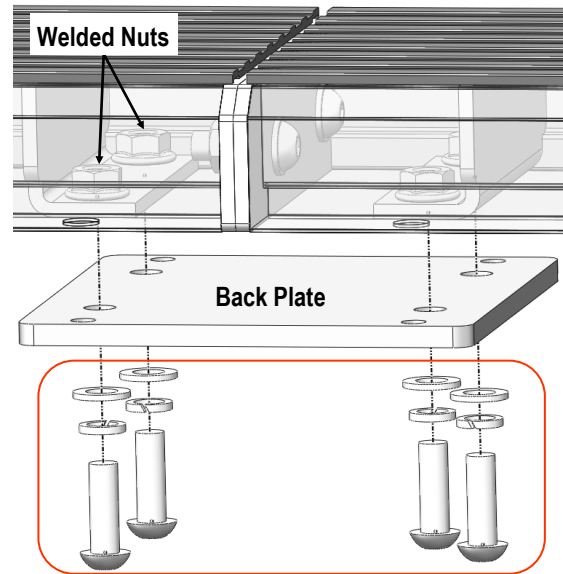
Step Bar Assembly:

1. Select and assemble (2) Step Bars with (2) M8X1.25-25mm Inner Hex Bolts, (4) M8 Flat Washers, (2) M8 Lock Washers and (2) M8 Hex Nuts, (**Fig 1**). **NOTE: (4) Step Bars are universal.**
2. Attach (1) Back Plate to the bottom of the installed (2) Step Bars with (4) M8X1.25-25mm Inner Hex Bolts, (4) M8 Flat Washers, (4) M8 Lock Washers, (**Fig 2**).
3. Install (1) Plastic Cover to cover the joint of (2) Step bars with (4) Plastic Rivets, (**Fig 3**).
4. Repeat to assemble the other (2) Step Bars.



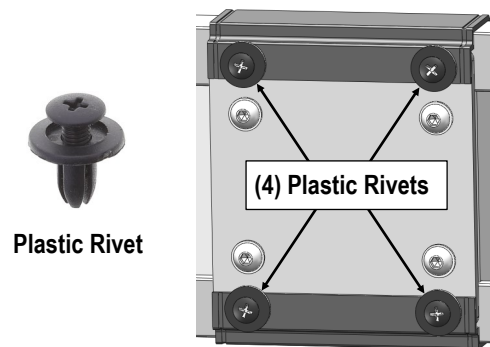
- (2) M8X1.25-25mm Inner Hex Bolts
- (4) M8 Flat Washers
- (2) M8 Lock Washers
- (2) M8 Hex Nuts

(Fig 1) Step Bars Assembly



- (4) M8X1.25-25mm Inner Hex Bolts
- (4) M8 Flat Washers
- (4) M8 Lock Washers

(Fig 2) Back Plate Installation



Plastic Rivet

(Fig 3) Plastic Cover Installation
(Bottom View)

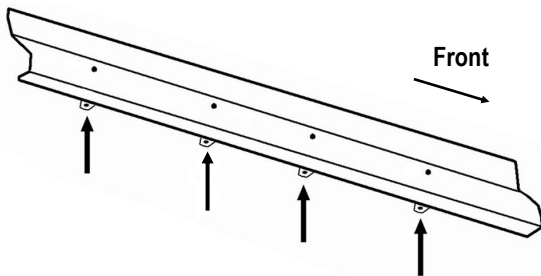
Assembled Step Bars





STEP 2

Start the installation under the driver side of the vehicle. Locate the 4 tabs along the bottom edge of the body, (pinch weld). Mounting Brackets will be bolted to the 1st, 2nd and 4th mounting tabs, (Fig 4). Directly above each tab is a top mounting location on the side of the body panel. Hold a Bracket up in place to help determine the mounting holes to be used on the body.



(Fig 4) Driver Side Mounting Locations

STEP 3

Determine the correct procedure for your model year and each Bracket location.

Lower mounting location (on the edge of the pinch weld):

*Flat tab on pinch weld with factory installed weld nut:

Thread M8 Hex Bolt into weld nut from the backside-down to clear paint from threads, (Fig 5).

*Flat tab on pinch weld with hole:

Select (1) M8 Clip Nut. Slide the M8 Clip Nut over the tab with the nut facing up behind the tab, (Figs 6—8). Line up threaded nut with hole in tab. Repeat for each mounting location.

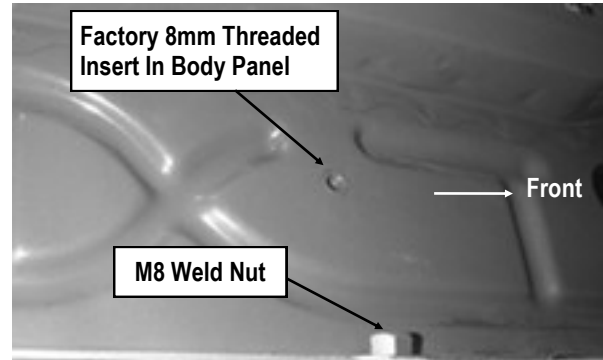
Upper mounting location (on the back of the body panel):

*Models with factory installed threaded insert in body panel:

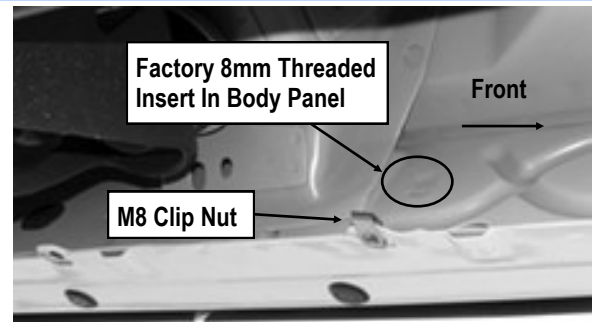
Thread M8 Hex Bolt into threaded insert to clear paint as required, (Figs 5 & 8).

*Large and small hole on back side of body panel:

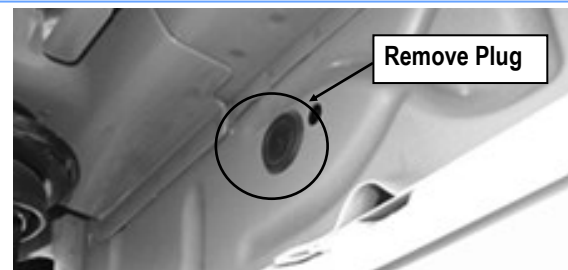
Remove the rubber plug from the larger hole, (Fig 7). Select (1) M8 Clip Nut. Slide the M8 Clip Nut into the larger hole. Line up the threaded nut with the smaller hole, (Fig 8).



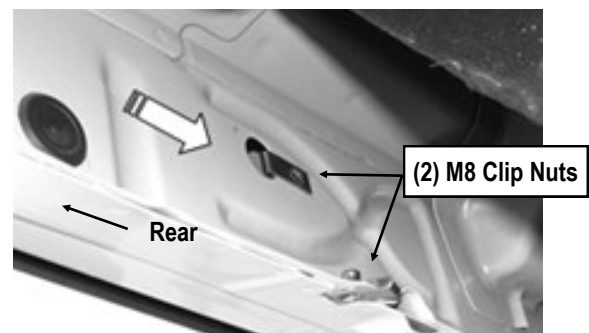
(Fig 5) Driver Front Mounting Bracket Location



(Fig 6) Driver Side Center Mounting Location



(Fig 7) Driver Side Center Mounting Location
(With Rubber Plug on Mounting Hole)

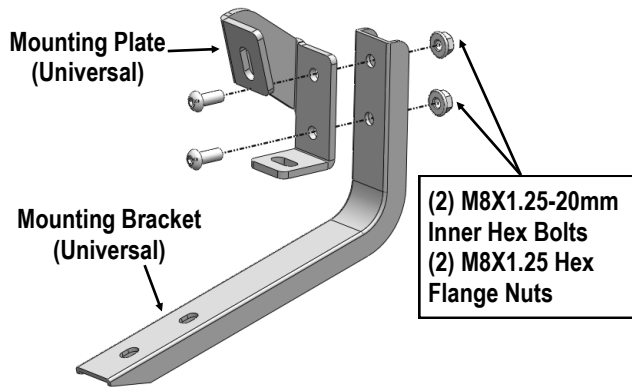


(Fig 8) Driver Side Rear Mounting Location

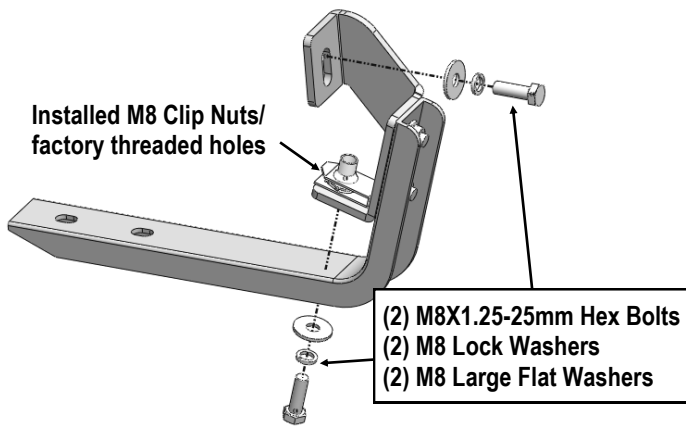


STEP 4

Assemble Driver Front Mounting Bracket and Driver Front Mounting Plate as shown (**Fig 9**). And then Bolt the assembled Mounting Bracket to the M8 Clip Nuts and/or the factory threaded holes on Driver Side Front Mounting Location with (2) M8 x1.25-25mm Hex Bolts, (2) M8 Lock Washers and (2) M8 Large Flat Washers, (**Fig 10**). Snug but do not fully tighten.



(Fig 9) Driver Front Mounting Bracket Assembly



(Fig 10) Assembled Driver Front Bracket Installed

STEP 5

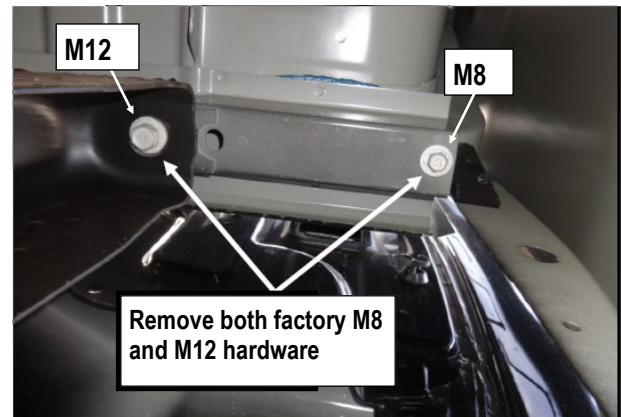
Repeat **Steps 2-4** to install other (2) driver side Mounting Brackets and Bar Brackets.

STEP 6

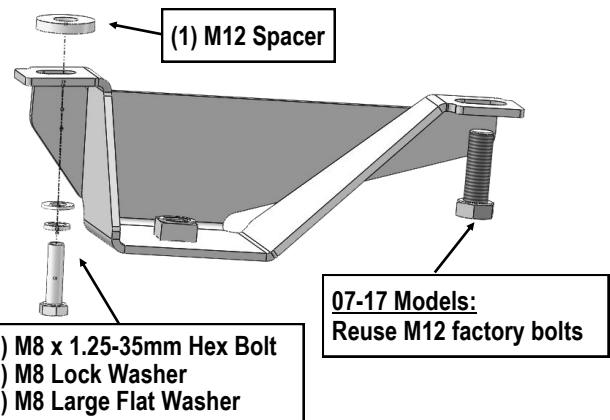
Move to the driver side rear mounting location, directly behind the cab, underneath the bed locate the beam that mounts the bed to the frame. There will be 2 pre-existing bolts, remove both factory M8 and M12 hardware, (**Fig 11A**). Select a Driver Rear Support Bracket (**DRS**), bolt the Support Bracket with include (1) M8X1.25-35mm Hex Bolt, (1) M8 Lock Washer, (1) M8 Large Flat Washer, and (1) M12 Spacer. Do not fully tighten hardware at this time.

07-17 Models: Attach the Driver Rear Support Bracket (**DRS**) with Re-used M12 factory bolts, (**Fig 11B**).

18-Up Models: Attach the Driver Rear Support Bracket (**DRS**) with (1) M12X35 Bolt Plate, (1) M12 Plastic Washer, (1) M12 Spacer, (1) M12 Flat Washer, (1) M12 Lock Washer and (1) M12 Hex Nut, (**Fig 11C**).



(Fig 11A) Driver Side Rear Mounting Location



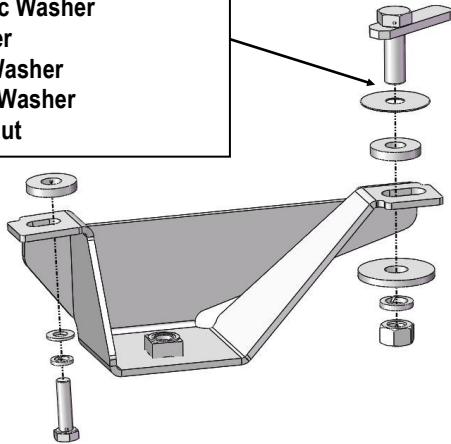
(Fig 11B) Driver Rear Support Bracket Installation



18-Up Models:

Use provided hardware to attach :

- (1) M12X35 Bolt Plate
- (1) M12 Plastic Washer
- (1) M12 Spacer
- (1) M12 Flat Washer
- (1) M12 Lock Washer
- (1) M12 Hex Nut



(Fig 11C) Driver Rear Support Bracket Installation

STEP 8

Once all (4) Driver side mounting brackets are installed, then proceed to the Step Bar installation. (Figs 13 & 14)

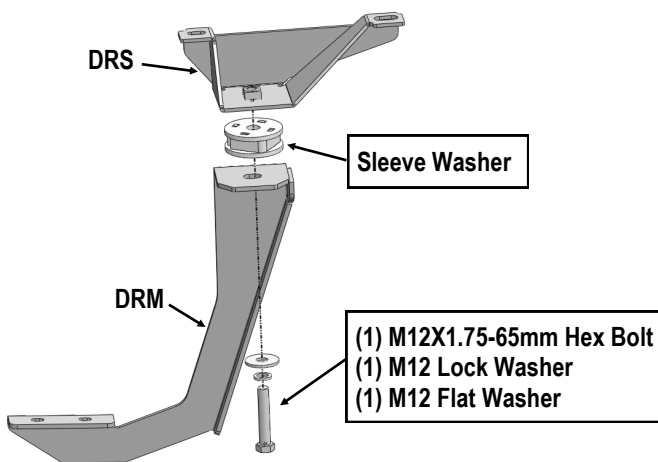
- (1) Select (1) Slider and (2) M8X1.25-35mm Carriage Bolts;
- (2) Install (2) M8X1.25-35mm Carriage Bolts in (1) Slider.
- (3) Slide the Slider (with carriage bolts) to the **Step Bar**.
- (4) Repeat to install the other (3) sliders to the step bar.
- (5) Attach the Step Bar (with the Sliders) onto the installed mounting brackets. Position the Sliders to the installed brackets. Secure the Step Bar to the installed Brackets by using (8) M8 Large Flat Washers and (8) M8 Nylon Lock Nuts and (4) Sliders, (Fig 14). Do not fully tighten hardware at this time.

Note: The Sliders are packed with the Step Bars.

Level and adjust the Step Bar and fully tighten all hardware.

STEP 7

Assemble (1) Driver Rear Mounting Bracket (**DRM**) and (1) Driver Rear Support Bracket (**DRS**) with (1) M12X1.75-65mm Hex Bolt, (1) M12 Lock Washer, (1) M12 Flat Washer and (1) Sleeve Washer, (Fig 12). Do not fully tighten hardware at this time.



(Fig 12) Driver Rear Mounting Bracket And Support Bracket Assembly

STEP 9

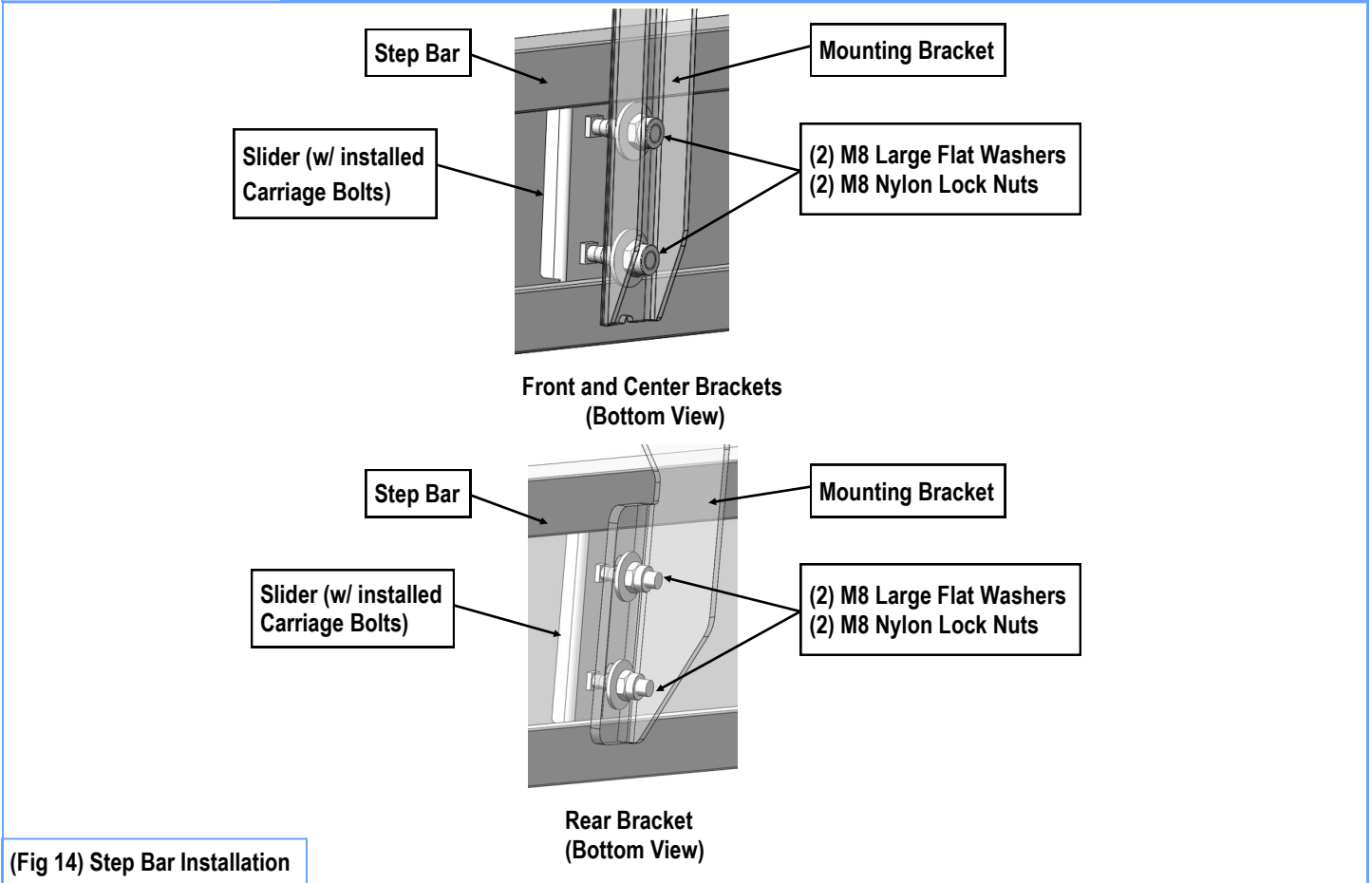
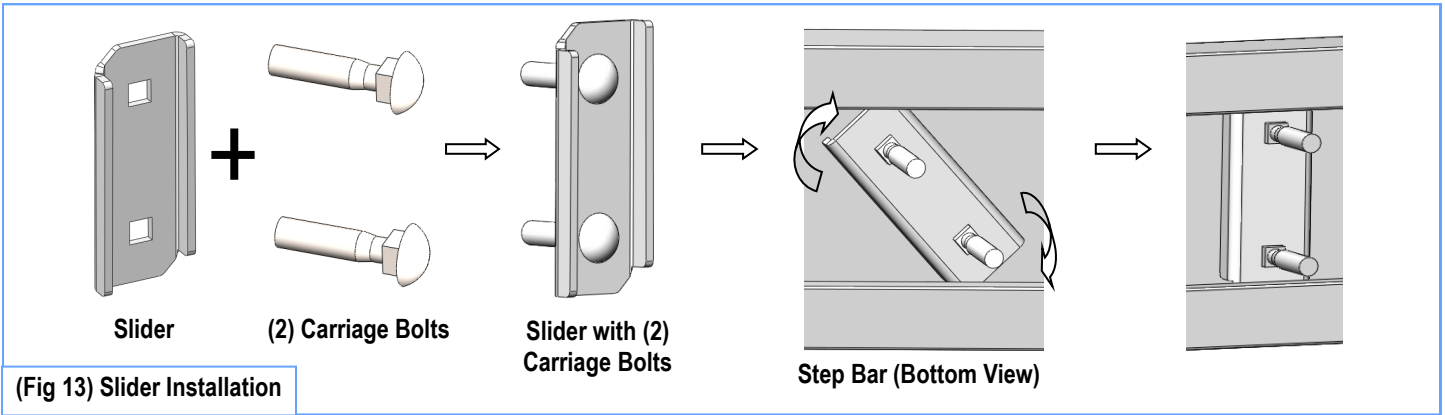
Move to the passenger side of the vehicle. On the passenger side, determine if the vehicle is equipped with a plastic diesel exhaust fluid (**DEF**) tank, (Fig 15 & 16).

Models without DEF tank, skip to Step 10.

Models with DEF tank: The tank sits close to the side of the body. With specialized tools, the Passenger Front Mounting Bracket can be installed but room is limited. It may be easier to drop the tank down to access the inner side of the body panel for bracket installation. Tank will not need to be removed, only dropped down for access to mounting location.

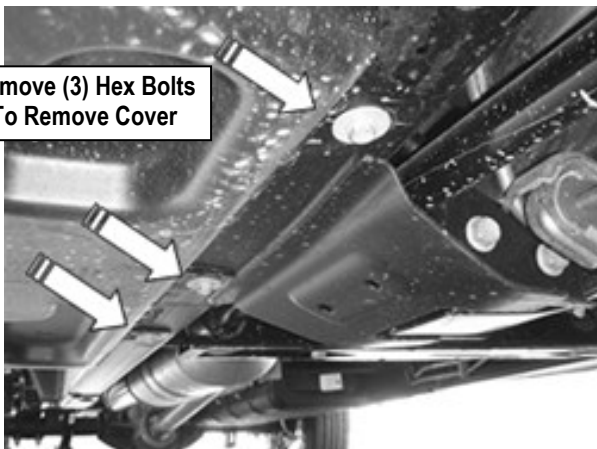
IMPORTANT: If tank is full, it will be very heavy and assistance is highly recommended to avoid injury or damage to the vehicle or the tank. It is recommended that installation is performed when the DEF tank is low on fluid before dropping the tank.

- a. **For 07-16 Models:** with plastic lower tray under the tank, remove the (3) hex bolts attaching the tray to the frame, (Fig 15), and remove the tray. **For 2017-Up 2500/3500 models:** Remove the (4) hex bolts attaching the plastic cover to DEF tank, (Fig 16A) and remove the plastic cover, (Fig 16B).

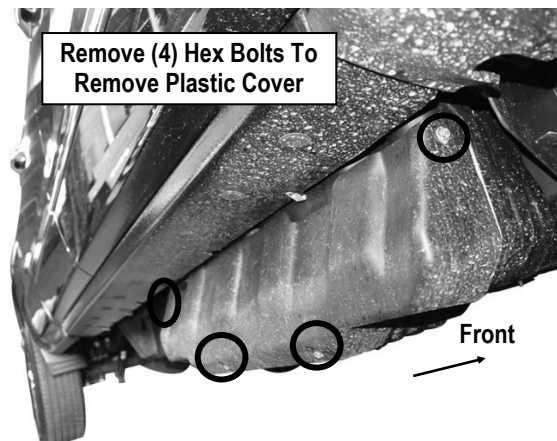




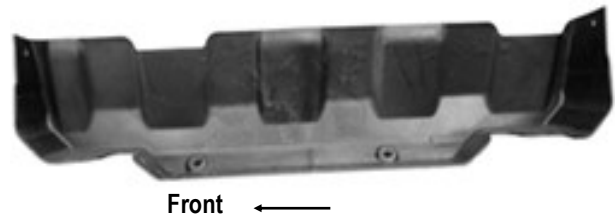
- b. Release the tank filler hose. Release the plug for the sending unit on the top of the tank.
- c. Support the tank with a floor jack. Place a smooth flat surface, (wooden block for example), between the floor jack and the tank to avoid damaging the plastic tank. Do not push up on the tank; only support the weight of the tank with the jack.
- d. Remove the (2) bolts securing the tank straps to the vehicle, (Fig 17). Tilt the straps to release from the brackets. Slowly lower the tank until the top of the tank is almost visible. Use blocks or stands to support the tank while installing the front Brackets.
- e. Proceed to **Step 10**.



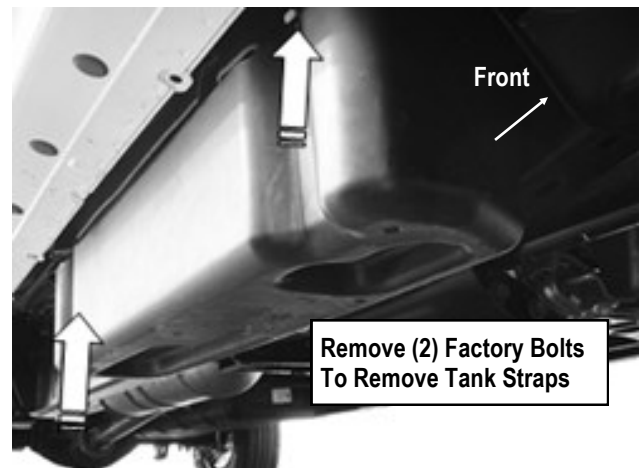
(Fig 15) 07-16 Passenger Side Front With DEF Tank Cover



(Fig 16A) 2017-Up Passenger Side With DEF Plastic Tank Cover



(Fig 16B) 2017 Passenger Side DEF Cover Removed



(Fig 17) 07-16 Passenger Side DEF Tank And Cover

STEP 10

Locate the first tab on the edge of the pinch weld, attach the Passenger Front Mounting Bracket (PFM) to the pinch weld and top body panel (Fig 18 & 19):

- a. **Models with flat tab and hole:** see Fig 18. Leave loose at this time.
- b. **Models with weld-nut:** see Fig 19. Leave loose at this time.

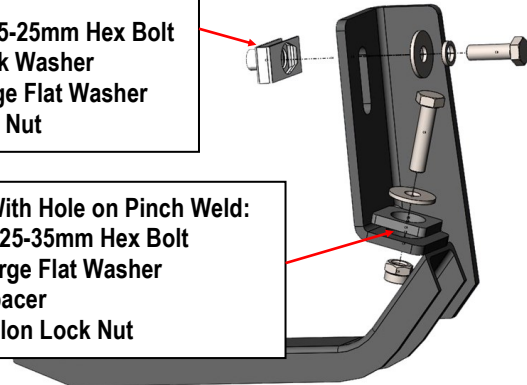


Models with holes on body panel

- (1) M8X1.25-25mm Hex Bolt
- (1) M8 Lock Washer
- (1) M8 Large Flat Washer
- (1) M8 Clip Nut

Models With Hole on Pinch Weld:

- (1) M8X1.25-35mm Hex Bolt
- (1) M8 Large Flat Washer
- (1) SQ Spacer
- (1) M8 Nylon Lock Nut



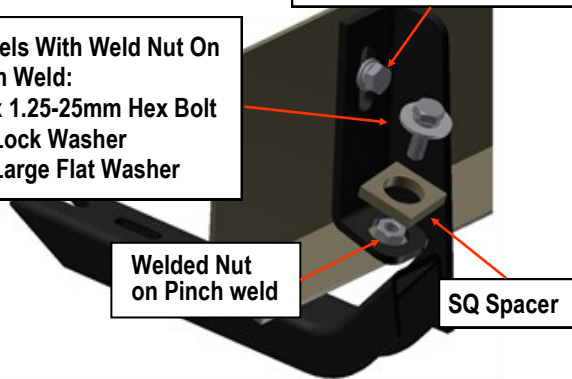
(Fig 18) Passenger Front Mounting Bracket Installation

Models With 8mm Threaded Insert In Body Panel:
M8 x 1.25-25mm Hex Bolt
M8 Lock Washer
M8 Large Flat Washer

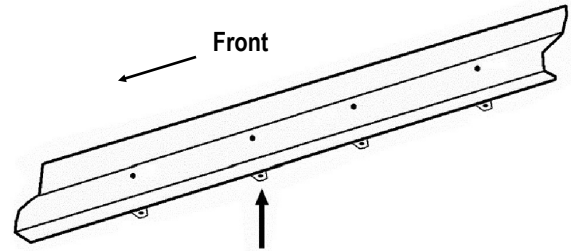
Models With Weld Nut On Pinch Weld:
M8 x 1.25-25mm Hex Bolt
M8 Lock Washer
M8 Large Flat Washer

Welded Nut on Pinch weld

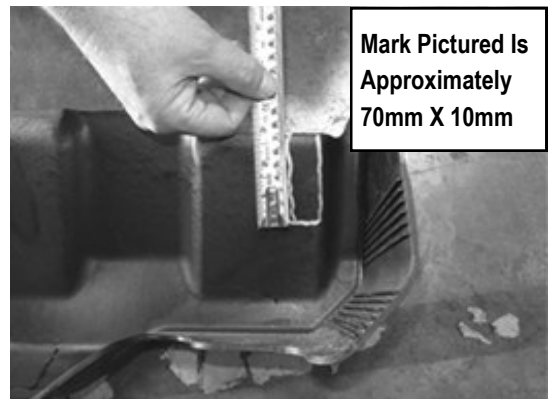
SQ Spacer



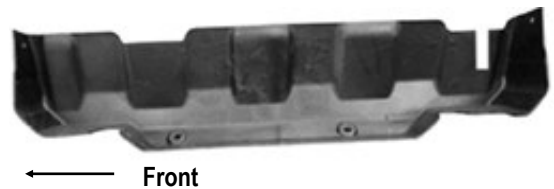
(Fig 19) Passenger Front Mounting Bracket Installed (Weld Nut If Equipped-Also See Fig 2)



(Fig 20) Passenger 2nd Mounting Bracket Location From Back Of Body Panel



(Fig 21) 2017-Up Passenger Side DEF Cover Marked For



(Fig 22) 17-Up Passenger Side DEF Cut For Example Only

STEP 11

Repeat **Steps 2—7** for the (3) remaining passenger side mounting brackets installations.

2017-up 2500/3500 DEF tank models: Locate the 2nd tab bracket location along the bottom edge of the body, (pinch weld), (Fig 20). Hold the DEF cover in place and mark the 2nd Bracket location onto the cover, (Fig 21). Use a sharp knife or hacksaw blade to carefully cut a slot in the plastic cover to clear the 2nd Bracket, (Fig 22). Remove as little plastic as possible.

STEP 12

Repeat **Step 8** to install the passenger side Step Bar installation.



STEP 13

Once the Step Bar are installed and all hardware fully tightened, reinstall the DEF tank and cover, if equipped, as described in **Step 9**.

The installation is completed.

Attention

Do periodic inspections to the installation to make sure that all hardware is secure and tight.

In order to protect your bars/boards, please use mild soap/non-abrasive products for cleaning only.