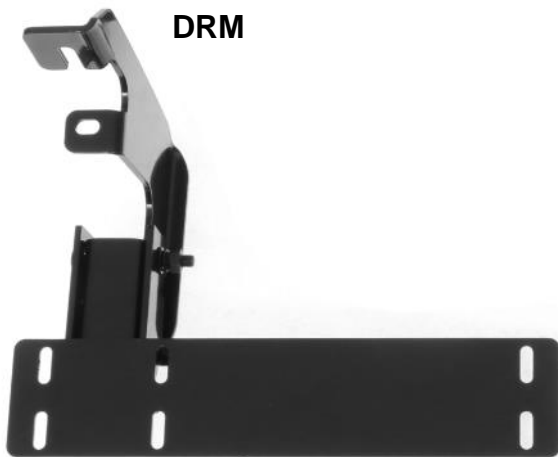


PARTS LIST:

Item	QTY	Description	Item	QTY	Description
#1	2	Running Board(use for left or right)	#10	12	M8 Lock Washers
#2	4	Mounting Brackets	#11	4	M10X1.5-80mm Hex Bolts
#3	1	Driver Rear Mounting Brackets(DRM)	#12	8	M10 Flat Washers
#4	1	Passenger Rear Mounting Brackets(PRM)	#13	4	M10 Lock Washers
#5	1	Driver Rear Lower Mounting Bracket(DRB)	#14	4	M10X1.5 Hex Nuts
#6	1	Passenger Rear Lower Mounting Bracket(PRB)	#15	20	M6 T-Bolts
#7	12	M8 Clip Nuts	#16	20	M6 Flat Washers
#8	12	M8X1.25-25mm Hex Bolts	#17	20	M6 Nylon Lock Nuts
#9	12	M8 Flat Washers			



DRB

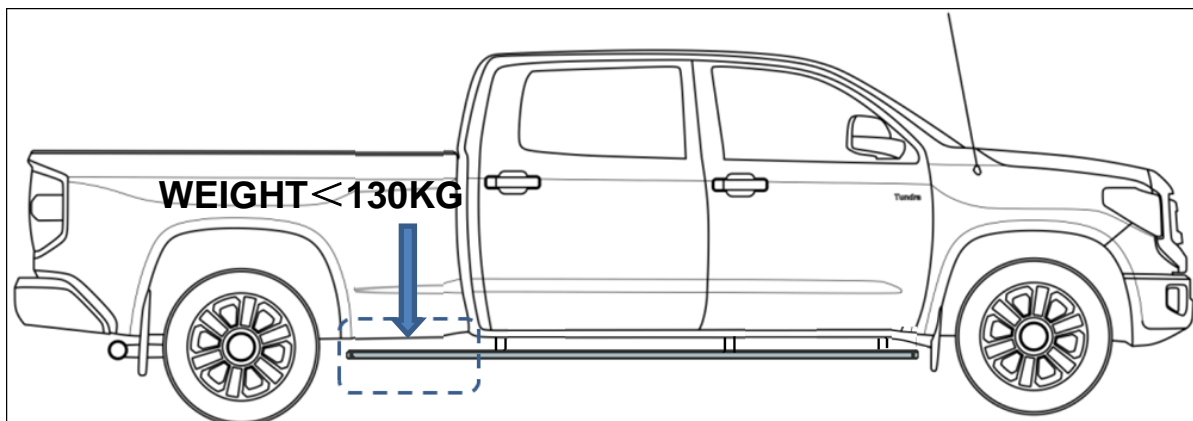


PRM



PRB

IMPORTANT ALERT: FOR WHEEL TO WHEEL APPLICATION, WEIGHT TO THE REAR END AREA OF THE RUNNING BOARD BEHIND THE LAST BRACKET NEED TO LESS THEN 130KG.OVERWEIGHT IN THIS AREA MAYBE DAMAGE YOUR RUNNING BOARD.



PROCEDURE:

- 1. REMOVE CONTENTS FROM BOX. VERIFY ALL PARTS ARE PRESENT. READ INSTRUCTIONS CAREFULLY BEFORE STARTING INSTALLATION. ASSISTANCE IS RECOMMENDED.**

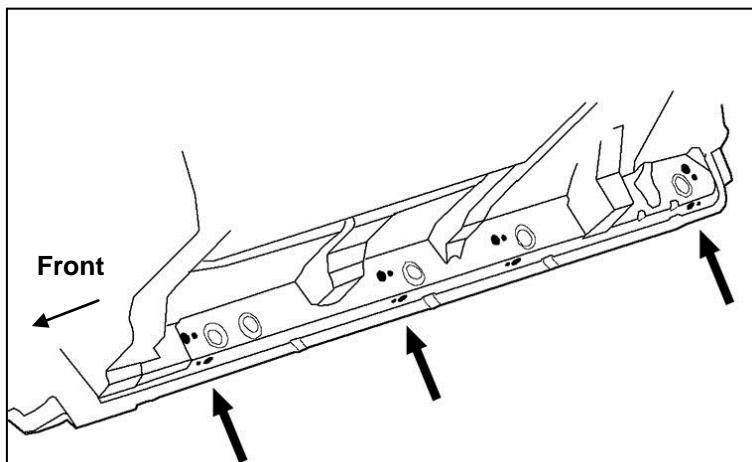
2. Start the installation under the passenger side of the vehicle. Locate the 4 factory running board mounting locations along the bottom and inner side of the body, **(Figure 1)**. Mounting Brackets will bolt to the 1st, 2nd and 4th mounting locations.
3. Remove rubber plugs as necessary from the holes in the side and bottom of the inner body panel, **(Figure 2)**. Select (1) M8 Clip Nut. Slide the Clip Nut into the large hole and over the smaller hole next to it in the side of the body panel. Line up threaded nut on the Clip Nut with smaller hole in body panel, **(Figure 3)**. Repeat to install a Clip Nut in the bottom mounting location.
4. Select (1) passenger side Mounting Bracket. Bolt the Mounting Bracket to the (2) Clip Nuts with (2) M8 Hex Bolts, (2) M8 Lock Washers and (2) M8 Flat Washers, **(Figure 4)**. Snug but do not fully tighten the hardware.
5. Repeat **Steps 2—4** to install center position brackets.
6. Move to the rear location. Select a rear upper bracket, repeat **Step 4** to install the rear upper Mounting Bracket. Do not tighten hardware at this time.
7. Select the passenger rear lower bracket, bolt to the upper bracket with (2)M10-80mm Hex bolts,(2)M10 lock washers,(4)M10 flat washers and (2)M10 Hex Nuts. **(Figure 5)**. Do not tighten hardware at this time.
8. Select a Running Board. Slip (10)M6 T-bolts into each bottom channel**(Figure 6)**. Carefully position the Running Board onto the (3) Mounting Brackets. Attach the Running Board to the Front & Center Mounting Brackets with (2) M6 T-bolts,(2)M6 flat washers and (2)M6 nylon lock nuts, to rear bracket with (6) M6 T-bolts,(6)M6 flat washers and (6)M6 nylon lock nuts **(Figure 7&8)**. Do not tighten hardware at this time.
9. Level and adjust Running Board properly and tighten all hardware.
10. Repeat **Steps 2—9** for driver side Running Board installation.
11. Do periodic inspections to the installation to make sure that all hardware is secure and tight.

To protect your investment, wax this product after installing. Regular waxing is recommended to add a protective layer over the finish. Do not use any type of polish or wax that may contain abrasives that could damage the finish.

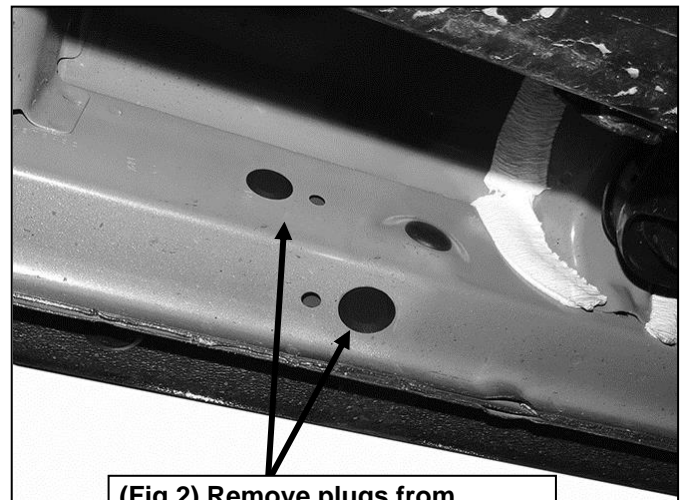
For Polished Finishes: Aluminum polish may be used to polish small scratches and scuffs on the finish. Mild soap may be used also to clean the Running Board.

For Black Finishes: Mild soap may be used to clean the Running Board.

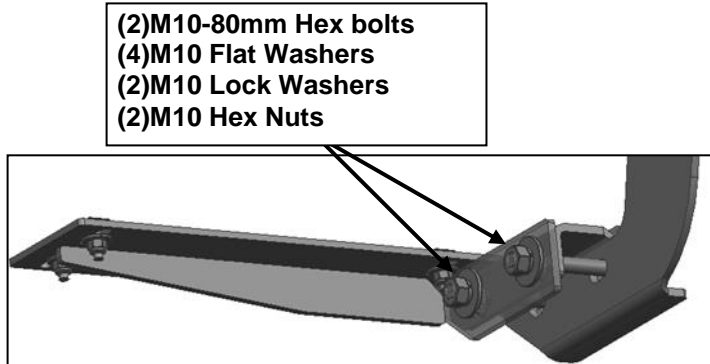
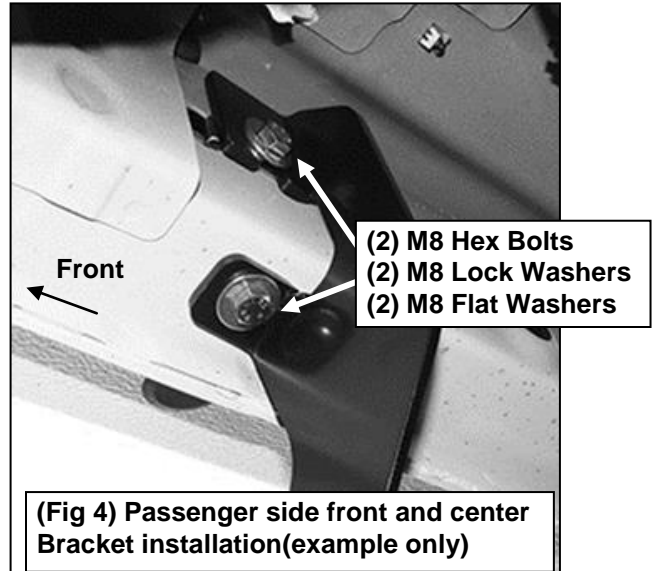
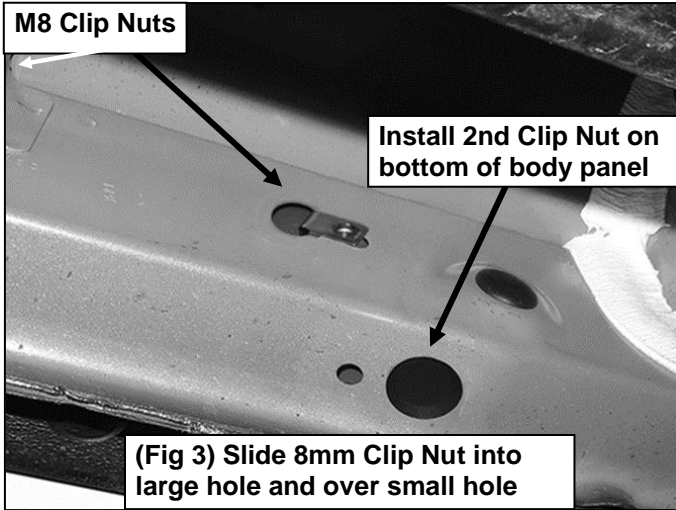
Passenger/right Side Installation Pictured



(Fig 1) Passenger side mounting locations along bottom and back of body panel illustrated



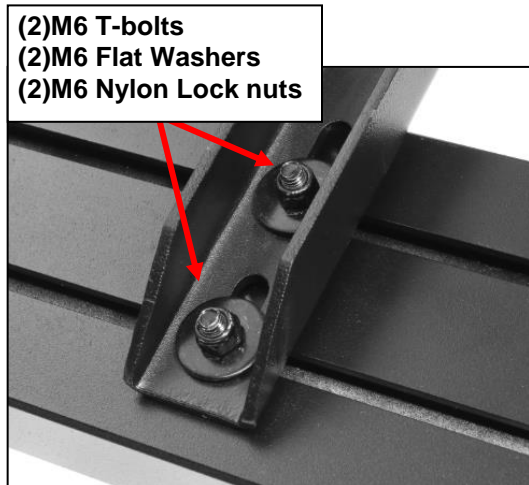
(Fig 2) Remove plugs from mounting locations as necessary



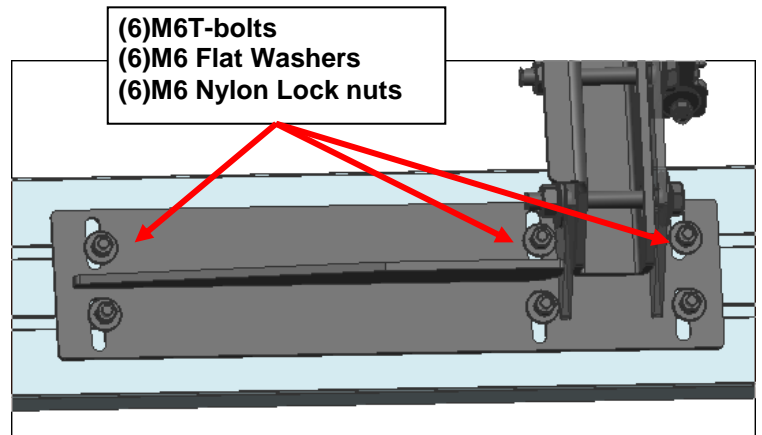
(Fig 5) Driver/left rear bracket installed



(Fig 6) Slip M6 T-bolts into the bottom channel



(Fig 7) Front and Center Bracket Installation



(Fig 8) Rear Bracket Installation