

iBoard®

iBoard® by APS

PART#: IB-R007

READ INSTRUCTIONS CAREFULLY BEFORE STARTING INSTALLATION. REMOVE CONTENTS FROM BOX AND VERIFY ALL PARTS ARE PRESENT. ASSISTANCE IS RECOMMENDED.

*BODY FRAME MOUNT
*NO DRILLING REQUIRED

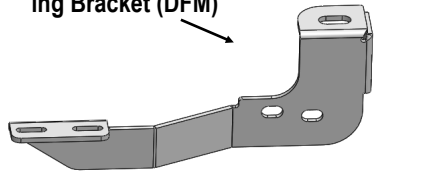
Fastener Size	Tightening Torque (ft-lbs)	Required
6mm	6-7	√
8mm	16-18	X
10mm	31-32	√
12mm	56-58	X
14mm	92-94	X

PART LIST

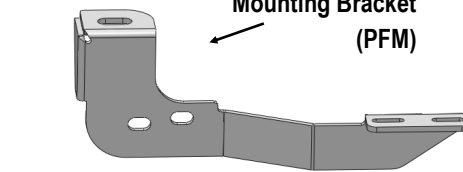
Front



Driver Front Mounting Bracket (DFM)



Passenger Front Mounting Bracket (PFM)



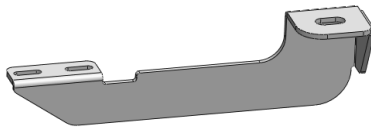
Driver Front Support Bracket (DFS)



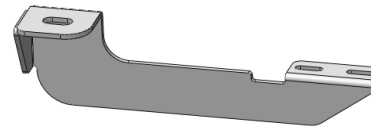
Passenger Front Support Bracket (PFS)



Driver Rear Mounting Bracket (DRM)

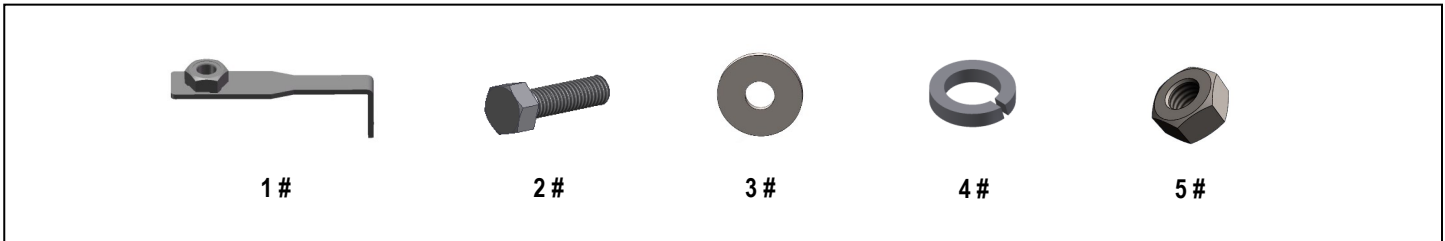


Passenger Rear Mounting Bracket (PRM)

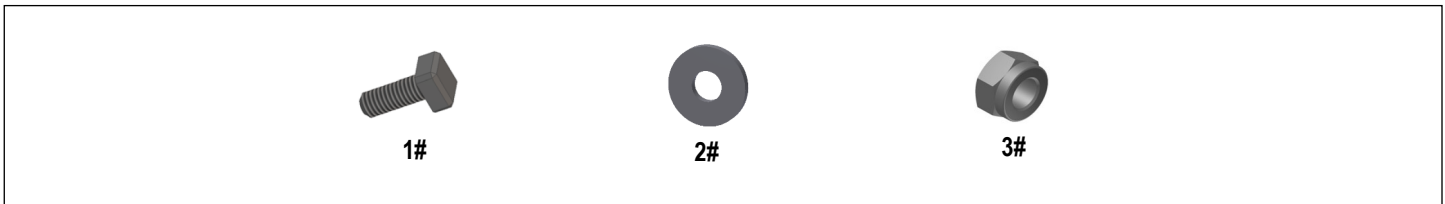


iBoard®

Hardware Package A (For Bracket Installation)					
Item	QTY	Description	Item	QTY	Description
1#	2	M10 Nut Plate	4#	4	M10 Lock Washer
2#	4	M10X1.5-30mm Hex Bolt	5#	2	M10X1.5 Hex Nut
3#	6	M10 Flat Washer			



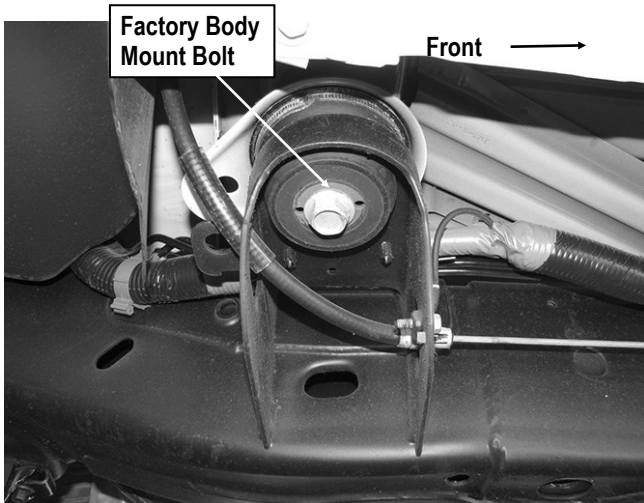
Hardware Package B (For Step Bar Installation)					
Item	QTY	Description	Item	QTY	Description
1#	8	M6X1-20mm Square Head Bolts	3#	8	M6 Nylon Lock Nuts
2#	8	M6 Large Flat Washers			



iBoard®

STEP 1

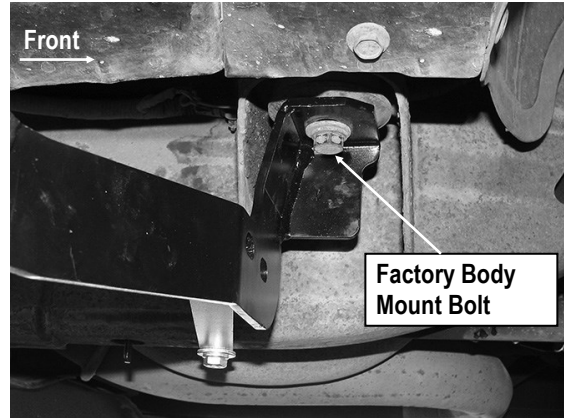
Start the installation under the Passenger side front of the vehicle. Remove the front body mount bolt, (**Fig 1**). Do not remove rubber bushings.



(Fig 1) Passenger Side Front Mounting Location Pictured

STEP 2

Attach the Passenger Front Mounting Bracket (PFM) to the body mount reusing the factory hex bolt, (**Fig 2**). Do not fully tighten hardware at this time.

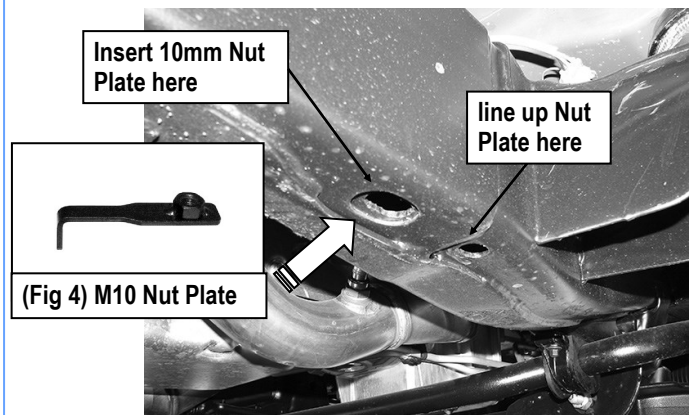


(Fig 2) Passenger Front Mounting Bracket (PFM) Installed

STEP 3

Locate the two factory holes at the bottom of the frame beside the passenger side front body mount, (**Fig 3**). Insert (1) M10 Nut Plate, (**Fig 4**), into the oval hole and line up the threaded nut with the round hole.

NOTE: Nut Plate and Support Brackets are not required on 2011-2014 2500/3500 models.



(Fig 3) Passenger Side Front Support Bracket Mounting Location

iBoard®

STEP 4

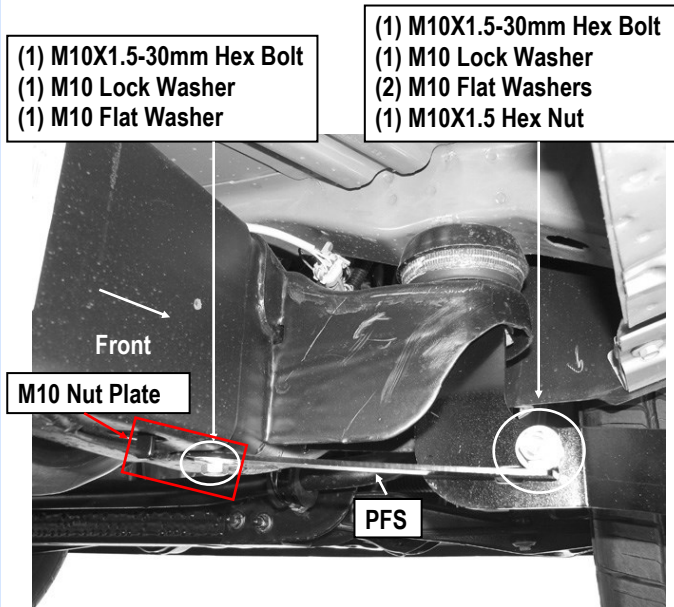
Attach the flat end of the Passenger Front Support Bracket (PFS) to the installed M10 Nut Plate with (1) M10X1.5-30mm Hex Bolt, (1) M10 Flat Washer and (1) M10 Lock Washer, (Fig 5 & 6). Do not fully tighten hardware at this time.

Up to 2010 2500/3500 Models:

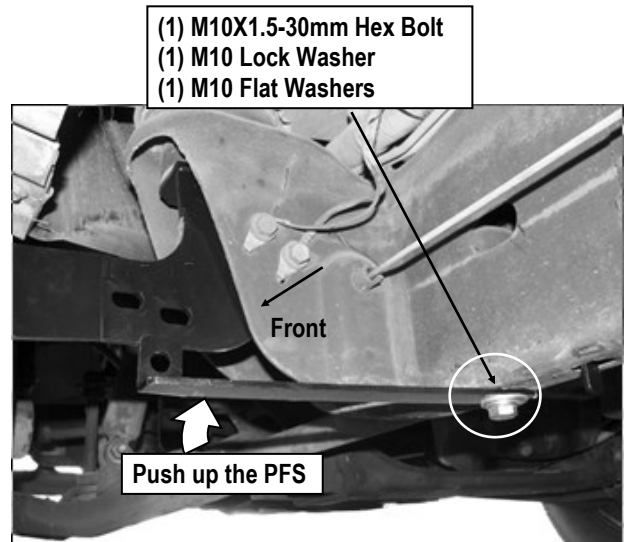
Note that the Front Support Bracket will not reach up to the Mounting Bracket, (Fig 6). Tighten the Support Bracket to the M10 Nut Plate in the frame. Carefully push up on the Support Bracket until it reaches the inside hole in the Mounting Bracket. Bolt the Support Bracket to the hole in the Mounting Bracket with (1) M10X1.5-30mm Hex Bolt, (2) M10 Flat Washers, (1) M10 Lock Washer and (1) M10X1.5 Hex Nut, (Figs 5&7). Do not fully tighten hardware at this time.

NOTE: Bend Support Bracket up by hand to meet the inner hole in the Front Mounting Bracket.

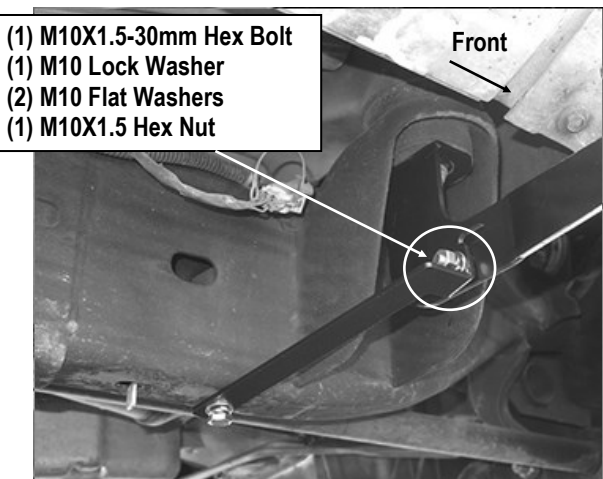
Support Bracket not required on 2011-2014 2500/3500 Models.



(Fig 5) Passenger Front Support Bracket (PFS) Installation (For 1500 Models)



(Fig 6) Passenger Front Support Bracket Installation

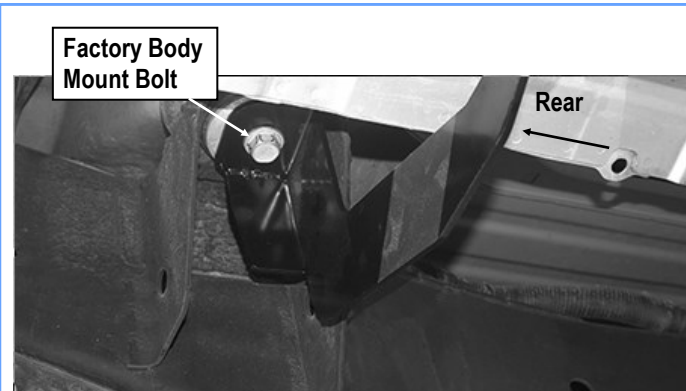


(Fig 7) Passenger Front Support Bracket Installation

STEP 5

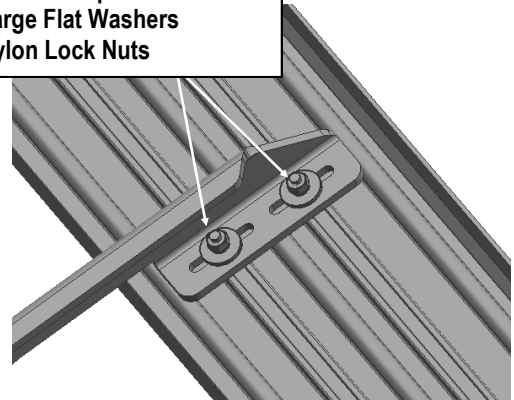
Move to the Passenger Side Rear body mount. Repeat **Steps 1-4** to attach the Passenger Rear Mounting Bracket to the body mount, (Fig 8). Do not fully tighten hardware at this time.

iBoard®



(Fig 8) Passenger Rear Mounting Bracket (PRM) Installation

- (2) M6X1-20mm Square Head Bolts
- (2) M6 Large Flat Washers
- (2) M6 Nylon Lock Nuts



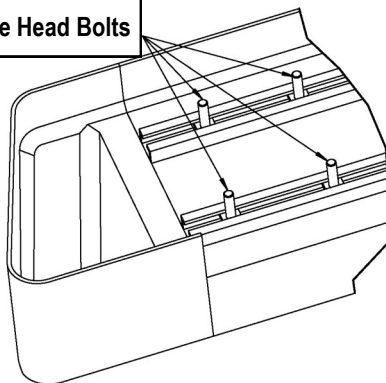
(Fig 10) Running Board Installed Onto Mounting Bracket

STEP 6

Once all (2) Mounting Brackets are installed. Select a Running Board. Slip (2) M6x1-20mm Square Head Bolts into each bottom channel (Fig 9). Carefully position the Running Board onto the (2) Mounting Brackets. Attach the Running Board to each Mounting Bracket with (2) M6x1-20mm Square Head Bolts, (2) M6 Large Flat Washers and (2) M6 Nylon Lock Nuts (Fig 10). Do not fully tighten at this time.

IMPORTANT: Do not slide the Running Board on the Brackets or the bottom surface of the board will be damaged.

M6X1-20mm Square Head Bolts



(Fig 9) Slip M6X1-20mm Square Head Bolts Into The Bottom Channels

STEP 7

Level and adjust the Running Board and fully tighten all hardware.

Important: Please follow the recommended Tightening Torques shown in the table on page 1. Don't over tighten, or the nuts/bolts will be damaged.

STEP 8

Repeat **Steps 1-7** for the other side Running Board installation. The installation is completed.

Attention

Do periodic inspections to the installation to make sure that all hardware is secure and tight.

In order to protect your bars/boards, please use mild soap/non-abrasive products for cleaning only.