

iBoard®

iBoard® by APS

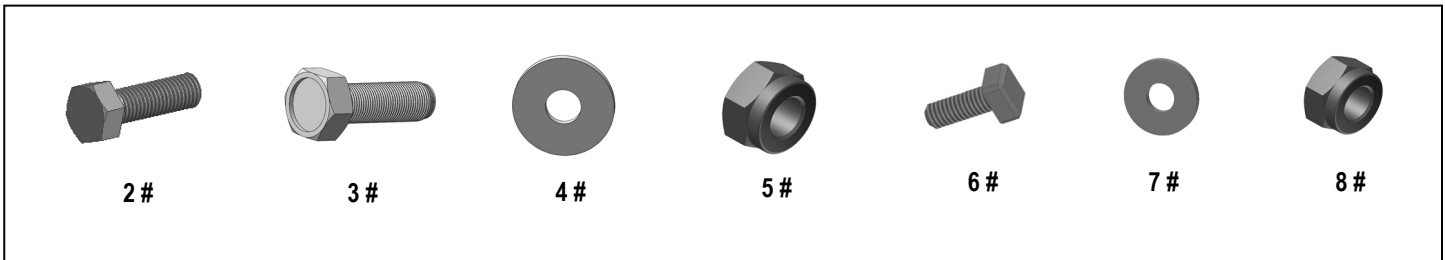
PART#: IB-R004

READ INSTRUCTIONS CAREFULLY BEFORE STARTING INSTALLATION. REMOVE CONTENTS FROM BOX AND VERIFY ALL PARTS ARE PRESENT. ASSISTANCE IS RECOMMENDED.

*ROCKER PANEL MOUNT
*DRILLING IS REQUIRED

Fastener Size	Tightening Torque (ft-lbs)	Required
6mm	6-7	√
8mm	16-18	√
10mm	31-32	X
12mm	56-58	X
14mm	92-94	X

Item	QTY	Description	Item	QTY	Description
1#	8	Mounting Brackets	5#	8	M8 Nylon Lock Nuts
2#	8	M8X1.25-20mm Hex Bolts	6#	16	M6X1-20mm Square Head Bolts
3#	24	ST6.3-25mm Hex Self Tapping Screws	7#	16	M6 Large Flat Washers
4#	16	M8 Flat Washers	8#	16	M6 Nylon Lock Nuts

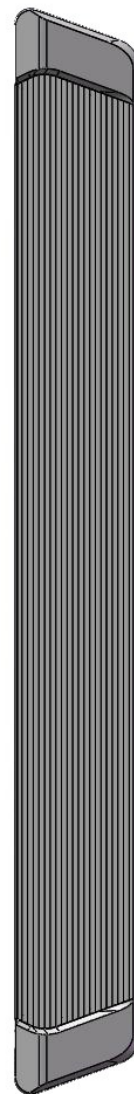
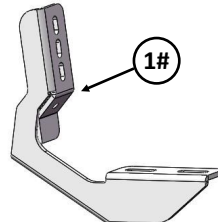
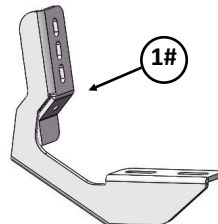
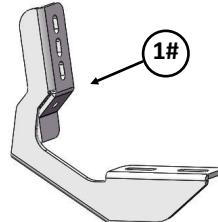
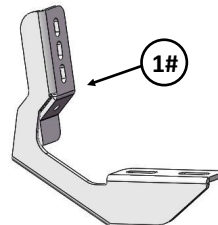
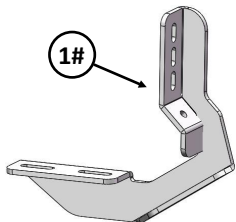
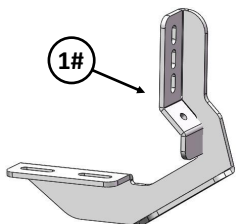
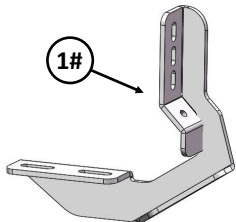
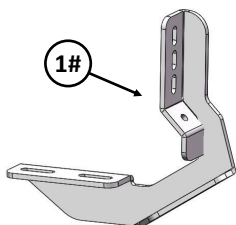


iBoard®

Driver

Front

Passenger

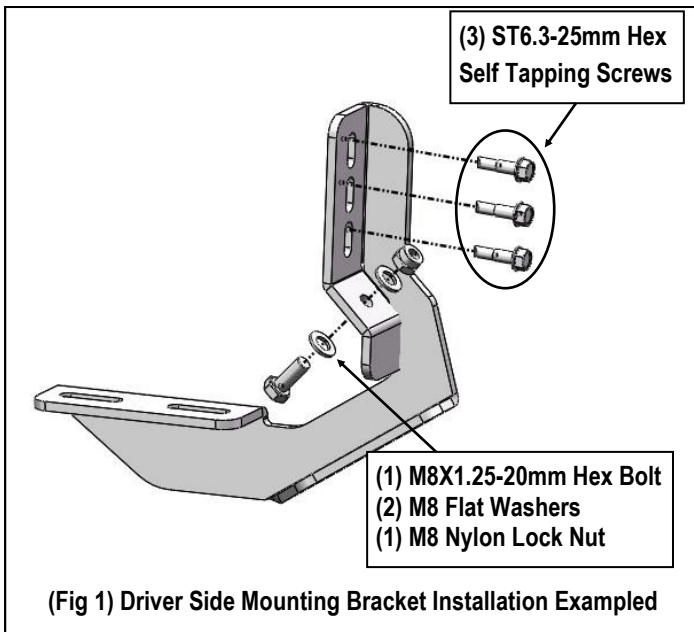


iBoard®

STEP 1

Starting on the Driver side of the vehicle. Attach (1) Mounting Bracket to the rocker panel with (3) ST6.3-25mm Hex Self Tapping Screws per bracket (Fig 1). Don't fully tighten at this time.

Note: (8) Mounting Brackets Are Universal.

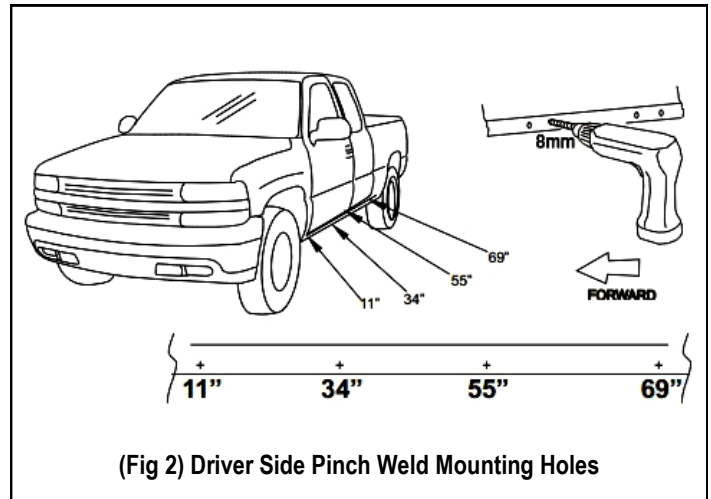


STEP 2

Use the Mounting Bracket as template, mark and drill (4) 8mm holes in pinch weld. If necessary, remove the brackets from the rocker panel for drilling (Fig 2). **Note: The dimensions on Fig 2 for reference only. It may be varied on some models.**

STEP 3

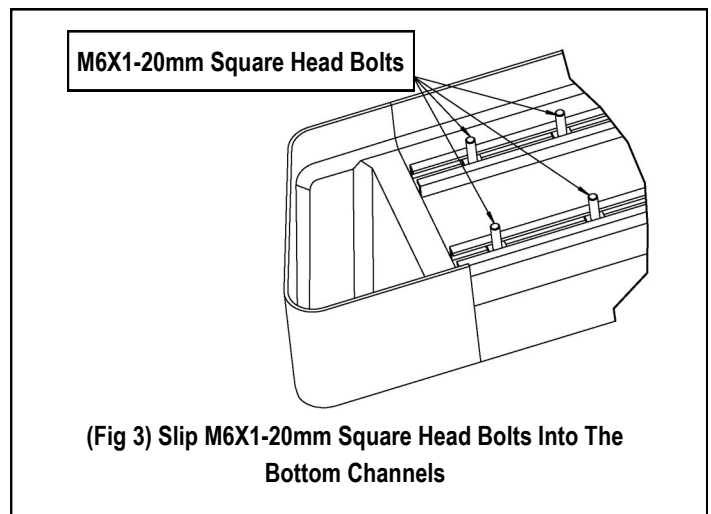
Attach the Mounting Bracket onto the drilled holes on pinch weld with (1) M8X1.25-20mm Hex Bolt, (2) M8 Flat Washers and (1) M8 Nylon Lock Nut, (Fig 1). Don't fully tighten at this time.



STEP 4

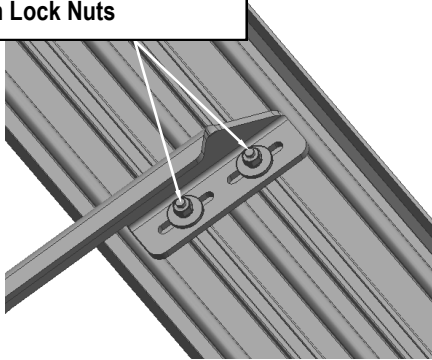
Select a Running Board. Slip (4) M6x1-20mm Square Head Bolts into each bottom channel (Fig 3). Carefully position the Running Board onto the (4) Mounting Brackets.

IMPORTANT: Do not slide the Running Board on the Brackets or the bottom surface of the board will be damaged. Attach the Running Board to each Mounting Bracket with (2) M6x1-20mm Square Head Bolts, (2) M6 Large Flat Washers and (2) M6 Nylon Lock Nuts (Fig 4). Do not fully tighten at this time.



iBoard®

- (2) M6X1-20mm Square Head Bolts
- (2) M6 Large Flat Washers
- (2) M6 Nylon Lock Nuts



(Fig 4) Running Board Installed Onto Mounting Bracket

STEP 5

Level and adjust the Running Board and fully tighten all hardware.

Important: Please follow the recommended Tightening Torques shown in the table on page 1. Don't over tighten, or the nuts/bolts will be damaged.

STEP 6

Repeat **Steps 1-5** for the other side Running Board installation. The installation is completed .

Attention

Do periodic inspections to the installation to make sure that all hardware is secure and tight.

In order to protect your bars/boards, please use only mild soap/non-abrasive products for cleaning.