

iBoard®



Scan for
Installation Video

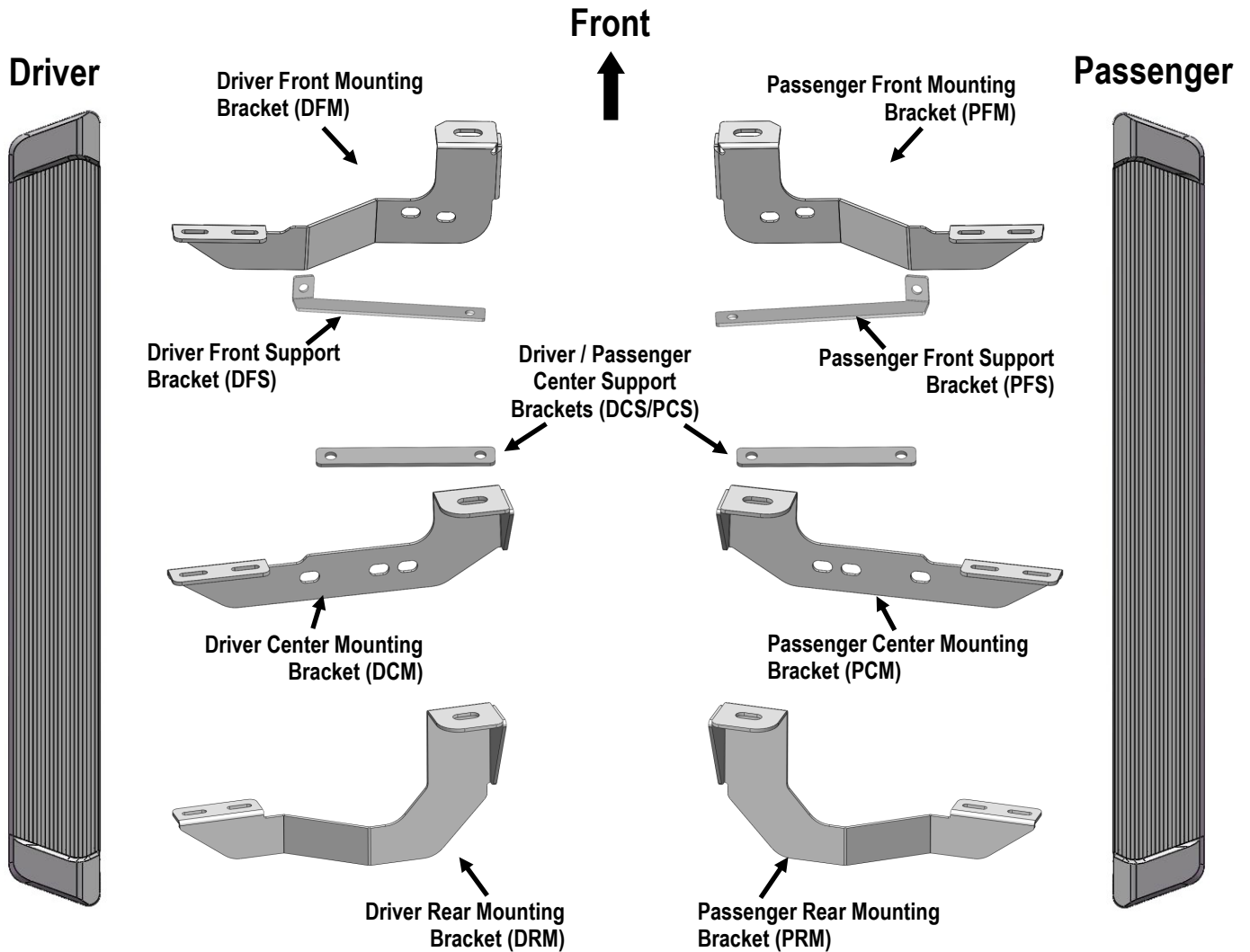
iBoard® by APS

PART#: IB-R001

READ INSTRUCTIONS CAREFULLY BEFORE STARTING INSTALLATION. REMOVE CONTENTS FROM BOX AND VERIFY ALL PARTS ARE PRESENT. ASSISTANCE IS RECOMMENDED.

*BODY FRAME MOUNT
*NO DRILLING REQUIRED

Fastener Size	Tightening Torque (ft-lbs)	Required
6mm	6-7	√
8mm	16-18	X
10mm	31-32	√
12mm	56-58	X
14mm	92-94	X



Customer Support: info@iboardauto.com



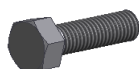
Scan for
Installation Video

Hardware Package A (For Bracket Installation)

Item	QTY	Description	Item	QTY	Description
1#	2	M10 Nut Plate	4#	8	M10 Nylon Lock Nuts
2#	8	M10X1.5-30mm Hex Bolts	5#	6	M10X1.5 Hex Nut
3#	14	M10 Large Flat Washers			



1#



2#



3#



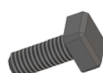
4#



5#

Hardware Package B (For Step Bar Installation)

Item	QTY	Description	Item	QTY	Description
1#	12	M6X1-20mm Square Head Bolts	3#	12	M6 Nylon Lock Nuts
2#	12	M6 Large Flat Washers			



1#



2#

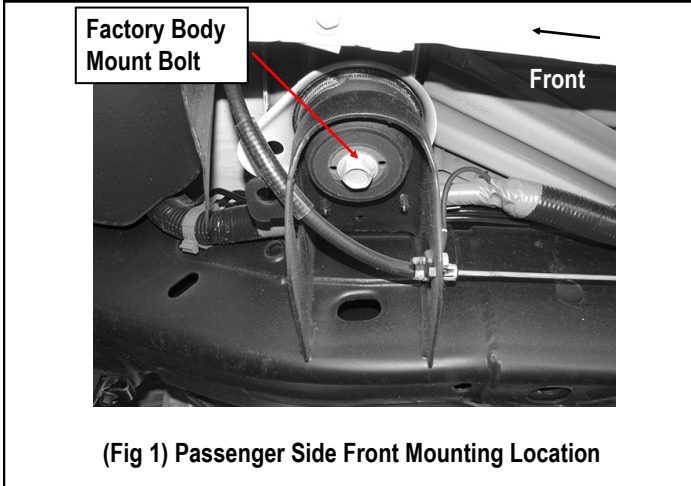


3#



STEP 1

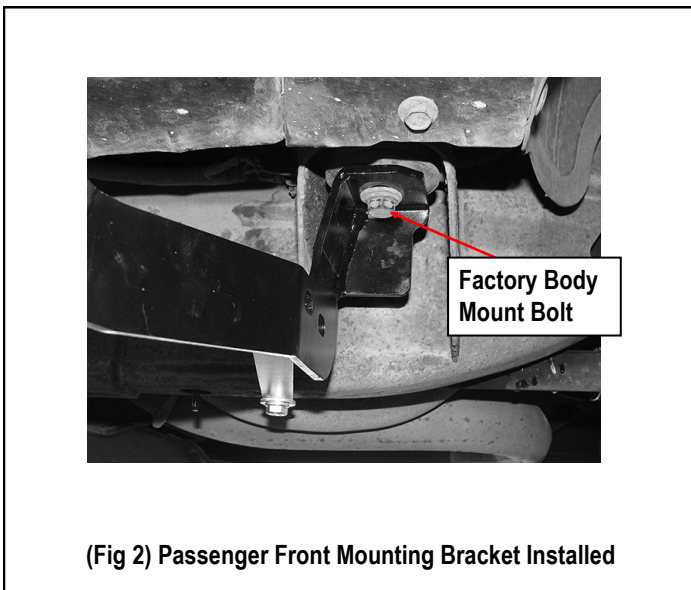
Start the installation from the Passenger Side Front Mounting Location of the vehicle. Remove the front body mount bolt, (Fig 1). Do not remove rubber bushing.



(Fig 1) Passenger Side Front Mounting Location

STEP 2

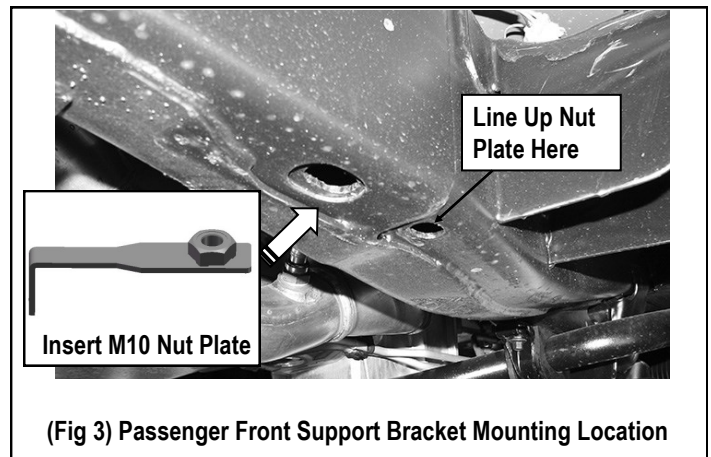
Attach the Passenger Front Mounting Bracket (PFM) to the body mount reusing the factory hex bolt, (Fig 2). Do not fully tighten hardware at this time.



(Fig 2) Passenger Front Mounting Bracket Installed

STEP 3

Move to the passenger front support bracket mounting location. Locate the two factory holes at the bottom of the frame close to the Passenger Side Front Mounting Location. Insert (1) M10 Nut Plate into the oval hole and line up the threaded nut with the round hole, (Fig 3).



(Fig 3) Passenger Front Support Bracket Mounting Location

STEP 4

Attach the flat end of the Passenger Front Support Bracket (PFS) to the installed M10 Nut Plate with (1) M10X1.5-30 Hex Bolt, (1) M10 Large Flat Washer and (1) M10 Lock Washer, (Fig 4 & 5). Do not fully tighten hardware at this time.

1500 Models:

Attach the bent end of the Support Bracket onto the Passenger Front Mounting Bracket with (1) M10X1.5-30 Hex Bolt, (2) M10 Large Flat Washers, (1) M10 Lock Washer and (1) M10X1.5 Hex Nut, (Fig 4). Do not fully tighten hardware at this time.

Up to 2007 2500/3500 Models:

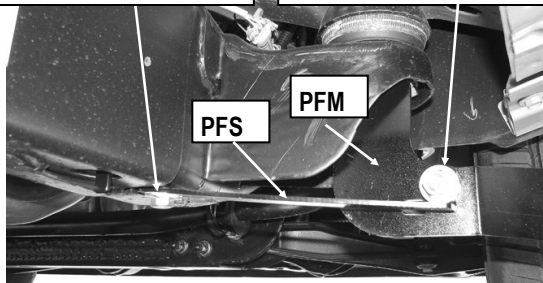
Note that the Front Support Bracket will not reach up to the Mounting Bracket, (Fig 5). Tighten the Support Bracket to the Nut Plate in the frame. Carefully push up on the Support Bracket until it reaches the inside hole in the Mounting Bracket. Bolt the Support Bracket to the hole on the Mounting Bracket with (1) M10X1.5-30 Hex Bolt, (2) M10 Large Flat Washers, (1) M10



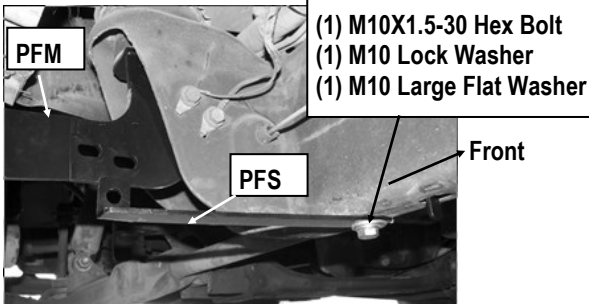
Lock Washer and (1) M10X1.5 Hex Nut, (Fig 6). Do not fully tighten at this time.

- (1) M10X1.5-30 Hex Bolt
- (1) M10 Lock Washer
- (1) M10 Large Flat Washer

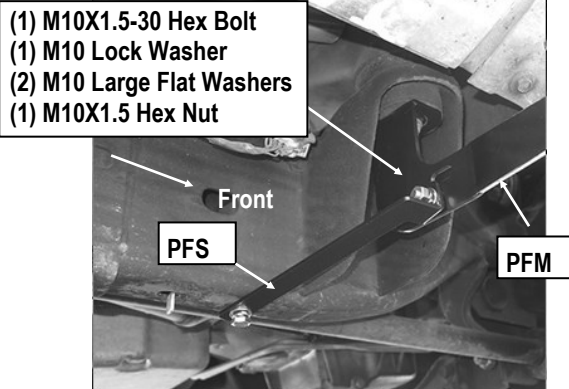
- (1) M10X1.5-30 Hex Bolt
- (1) M10 Lock Washer
- (2) M10 Large Flat Washers
- (1) M10X1.5 Hex Nut



(Fig 4) Passenger Front Support Bracket Installed
(For 1500 Models)



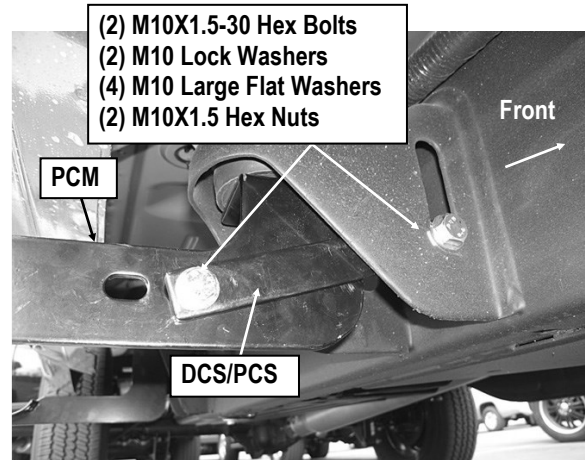
(Fig 5) Passenger Front Support Bracket Installed
(For 2500/3500 Models)



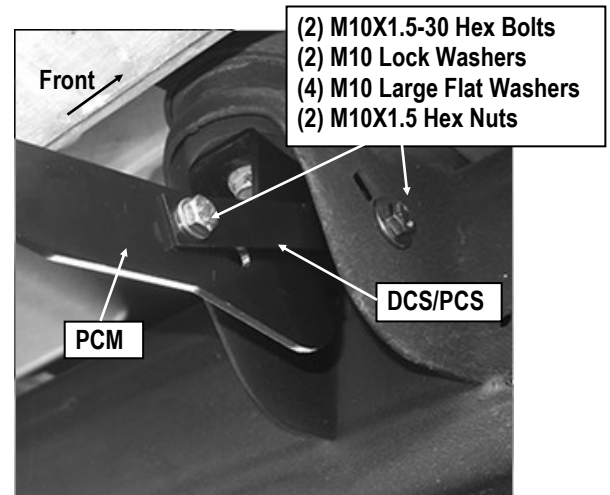
(Fig 6) Passenger Front Support Bracket Installed

STEP 5

Move to the Passenger Side Center Mounting Location (body mount) and remove the factory bolt. Select the Passenger Center Mounting Bracket (PCM). Repeat **Step 2** to install the Passenger Center Mounting Bracket, (Figs 7 & 8).



(Fig 7) Passenger Center Mounting Bracket And Support Bracket Installation (For 1500 Models)



(Fig 8) Passenger Center Mounting Bracket and Support Bracket Installation (For 2500/3500 Models)



STEP 6

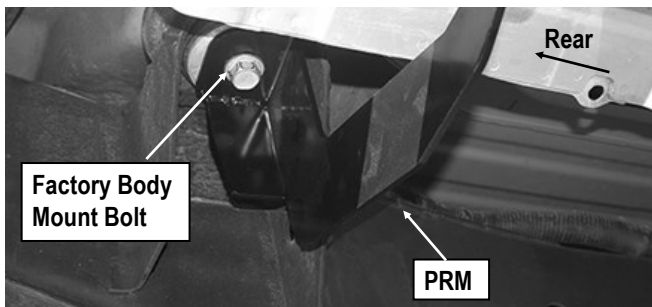
Next, select (1) Passenger Center Support Bracket (**DCS/PCS**). There are two mounting holes on the Support Bracket. Attach the Support Bracket to the hole beside the body mount with (1) M10X1.5-30 Hex Bolt, (2) M10 Large Flat Washers, (1) M10 Lock Washer and (1) M10X1.5 Hex Nut, (**Figs 7 & 8**). Do not fully tighten at this time.

STEP 7

Attach the opposite end of the Support Bracket to the Center Bracket with (1) M10X1.5-30mm Hex Bolt, (2) M10 Large Flat Washers, (1) M10 Lock Washer and (1) M10X1.5 Hex Nut, (**Figs 7 & 8**). Do not fully tighten at this time.

STEP 8

Move to the passenger side rear body mount. Repeat **Steps 1 - 2** to attach the Passenger Rear Mounting Bracket (**PRM**) to the body mount, (**Fig 9**). Do not fully tighten at this time.



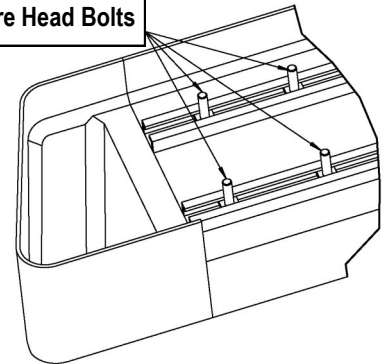
(Fig 9) Passenger Rear Mounting Bracket Installation

STEP 9

Once all (3) mounting brackets are installed, then proceed to the Running Board installation. Select a Running Board. Slip (3) M6X1-20mm Square Head Bolts into each bottom channel (**Fig 10**). Carefully position the Running Board onto the (3) Mounting Brackets. Attach the Running Board to each Mounting Bracket with (2) M6X1-20mm Square Head Bolts, (2) M6 Large Flat Washers and (2) M6 Nylon Lock Nuts (**Fig 11**). Do not fully tighten at this time.

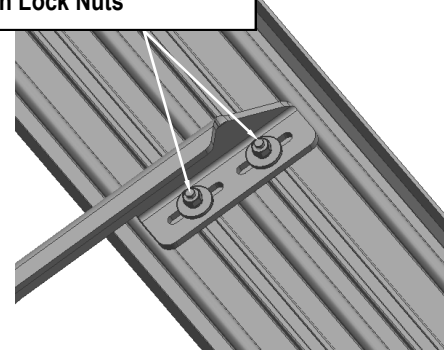
IMPORTANT: Do not slide the Running Board on the Brackets or the bottom surface of the board will be damaged.

M6X1-20mm Square Head Bolts



(Fig 10) Slip M6X1-20mm Square Head Bolts Into The Bottom Channels

(2) M6X1-20mm Square Head Bolts
(2) M6 Large Flat Washers
(2) M6 Nylon Lock Nuts



(Fig 11) Running Board Installed Onto Mounting Bracket



STEP 10

Level and adjust the Running Board and fully tighten all hardware.

Important: Please follow the recommended Tightening Torques shown in the table on page 1. Don't over tighten, or the nuts/bolts will be damaged.

STEP 11

Repeat **Steps 1-10** for the other side Running Board installation. The installation is completed.

Attention

Do periodic inspections to the installation to make sure that all hardware is secure and tight.
In order to protect your bars/boards, please use mild soap/non-abrasive products for cleaning only.