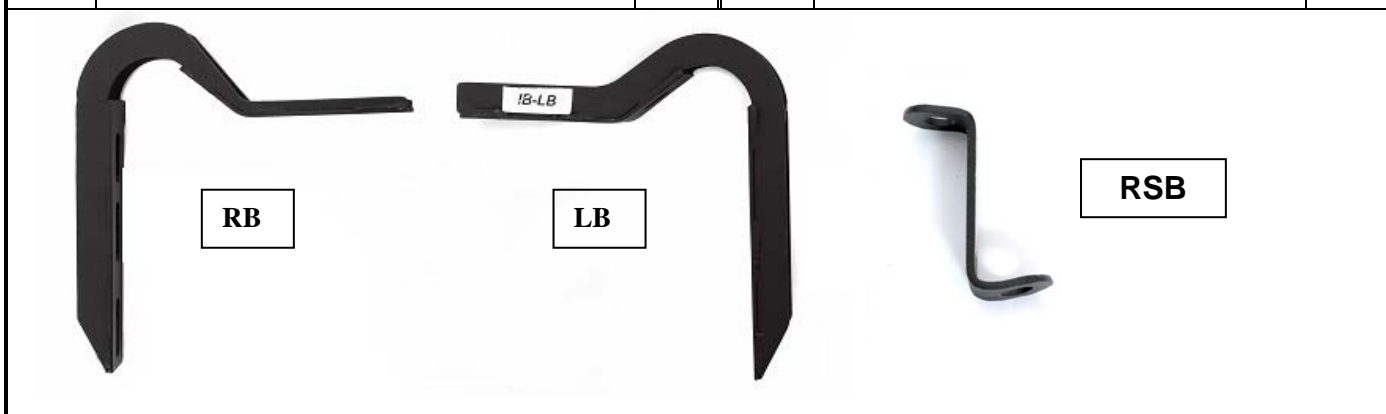


# iRunning Board Installation Instruction

**Application:** 2000-2004 Chevy Tahoe 4-Door (Excl. 02-04 Z71)  
2000-2004 GMC Yukon 4-Door (Excl. 02-04 Z71)

REV: 20170601

Item	Part Name	QTY	Item	Part Name	QTY
1.2	Step boards, Passenger (1) and Driver (2)	2	7	M8X1.25-30mm Hex Head Bolt	5
3	Driver Bracket (LB)	5	8	M8X1.25-20mm Hex Head Bolt	10
4	Passenger Bracket(RB)	5	9	M8X1.25-20mm Square Hex Bolt	20
5	Passenger Support Bracket (RSB)	5	10	M8 Flat Washers	60
6	M8X1.25-25mm Hex Head Bolt	10	11	M8X1.25mm Nylon Lock Nuts	35



Step	Description
1	Verify all parts are present. Read and understand instructions before beginning.
2	Drill through holes in pinch weld to 5/16" as shown (See FIG 1).
3	Remove nuts holding AC lines on passenger side as shown. <b>DO NOT DISCARD!</b> (See FIG 2).
4	Attach support brackets as shown. Hand tighten (See FIG 3 & 4).
5	Attach mounting brackets as shown. Hand tighten (See FIG 3-8)
6	Re-attach nuts holding AC lines on passenger side as shown (See FIG 8).
7	Insert square head bolts as shown (5 per slot, 10 per Step board/Running board) (See FIG 9).
8	Attach Step board / Running board to brackets as shown. Align and tighten .
9	<b>INSTALLATION IS COMPLETE.</b>

### FINISH PROTECTION

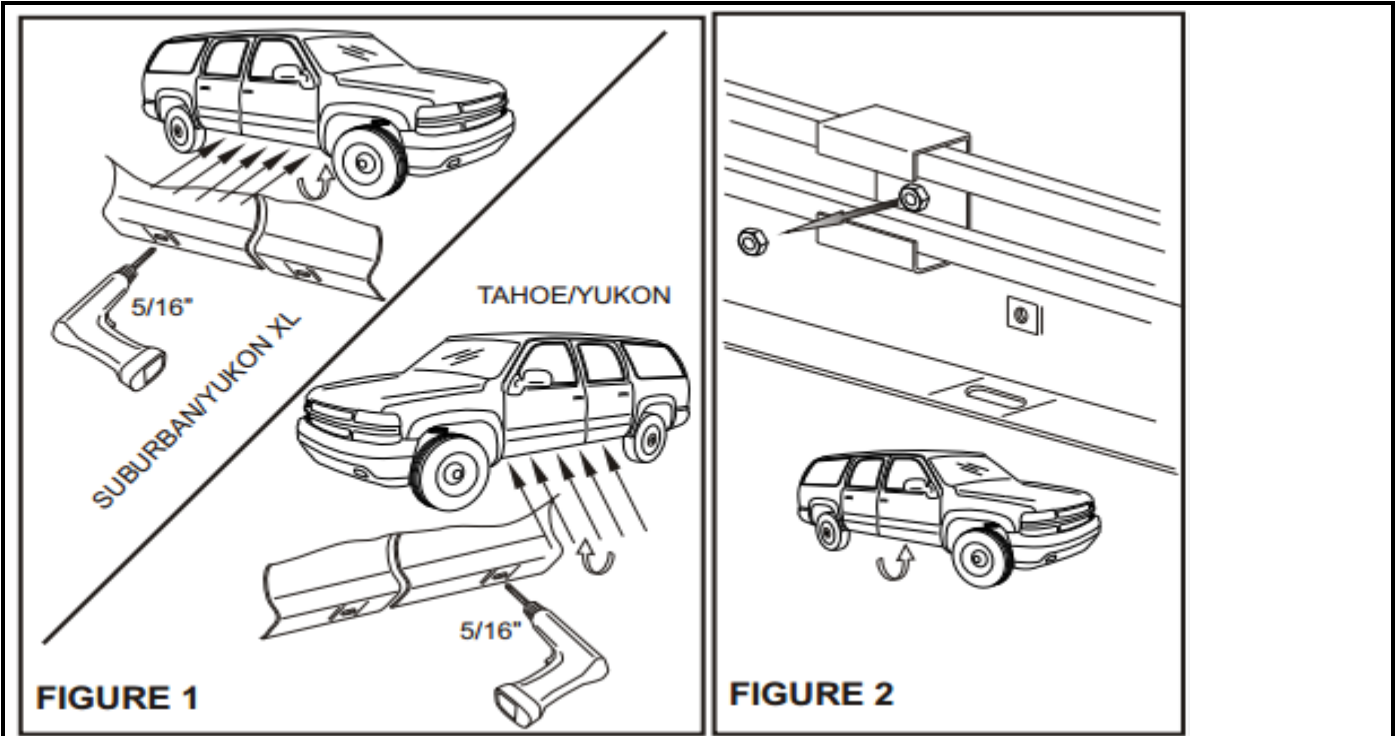
Products have a high quality finish that must be cared for like any other exposed finish on the vehicle. Protect the finish with a non-abrasive automotive wax, (e.g. Pure Carnauba ) on a regular basis. The use of any soap, polish or wax that contains an abrasive is detrimental, as the compounds scratch the finish and open it to corrosion.

The instruction here is for your reference only. We strongly recommend the professional installer for best result. We are not responsible for any damage caused by the installation. Thank you for choosing our product!

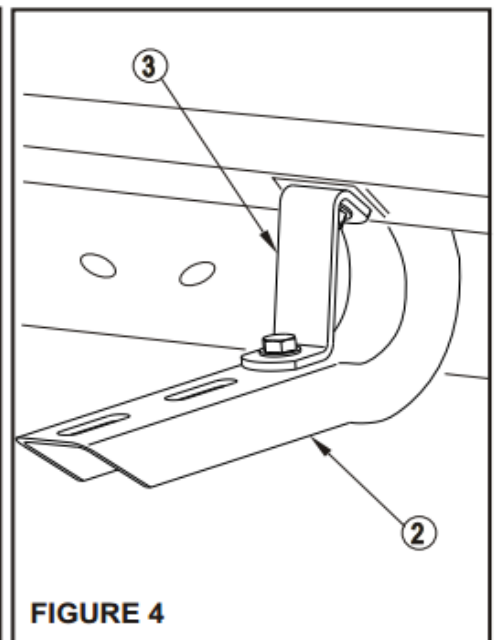
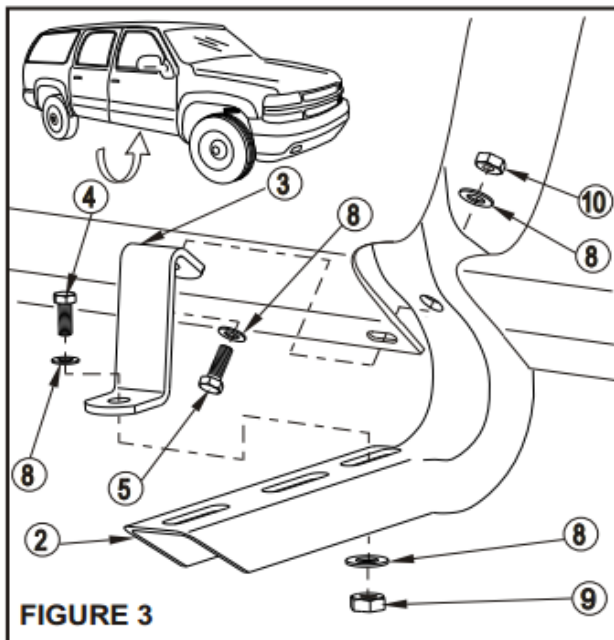
# iRunning Board Installation Instruction

Application: 2000-2004 Chevy Tahoe 4-Door (Excl. 02-04 Z71)  
2000-2004 GMC Yukon 4-Door (Excl. 02-04 Z71)

REV: 20170601



**\*Pictures are for reference only, actual bars may be a little different.**

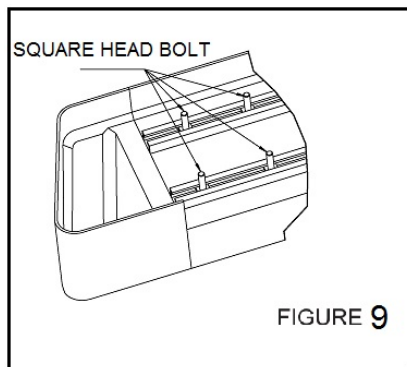
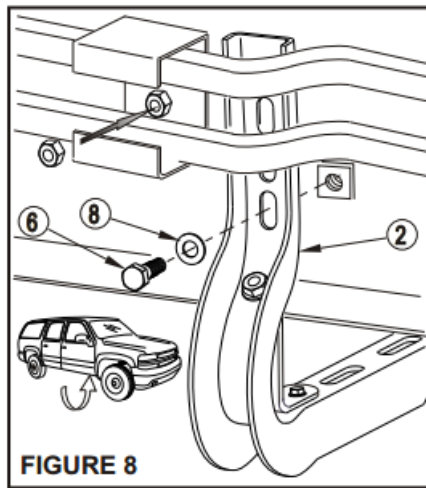
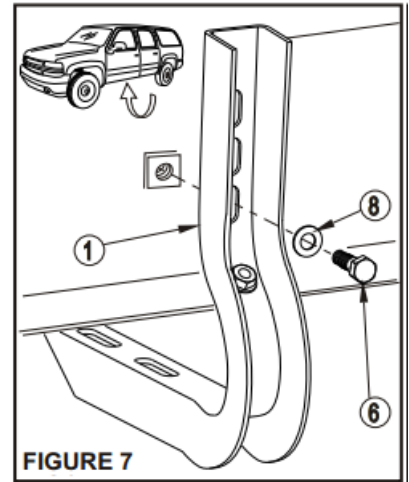
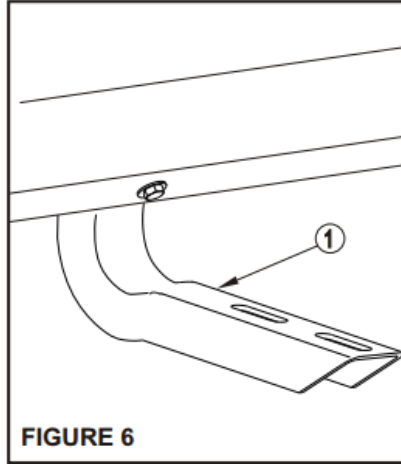
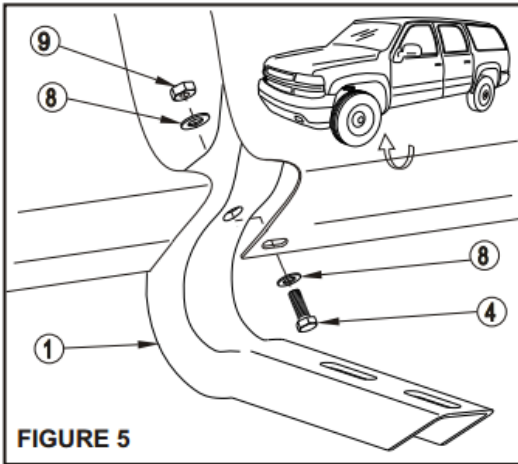


The instruction here is for your reference only. We strongly recommend the professional installer for best result. We are not responsible for any damage caused by the installation. Thank you for choosing our product!

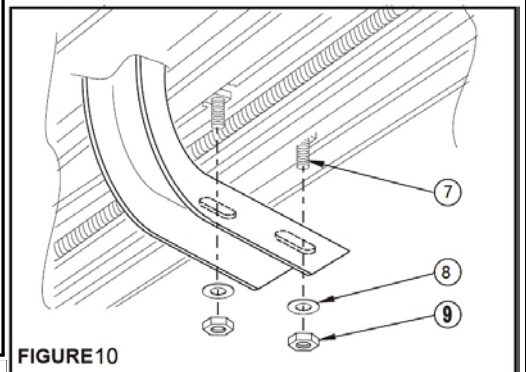
# iRunning Board Installation Instruction

Application: 2000-2004 Chevy Tahoe 4-Door (Excl. 02-04 Z71)  
2000-2004 GMC Yukon 4-Door (Excl. 02-04 Z71)

REV: 20170601



**\*Pictures are for reference only, actual bars may be a little different.**



The instruction here is for your reference only. We strongly recommend the professional installer for best result. We are not responsible for any damage caused by the installation. Thank you for choosing our product!